

Technical Data Sheet

Compressor model **X16TN**
 Voltage **200-220/230V 50/60Hz ~1**
 Refrigerant **R22**

APPLICATION		COMPRESSOR		MOTOR	
Application	High Back Pressure	Displacement	16,03 cm ³	Nominal Power	5/8 hp
Refrigerant	R22	Diameter	32,60 mm	Voltage/Frequency	200-220V 50Hz
Evaporating Temp.	-15,0 °C to 10,0 °C	Stroke	19,20 mm	Voltage range	180-242 V
Expansion	Capillar/Valve	Net Weight	16,70 Kg	Type	CSR
Comp. Cooling	Fan cooled	Oil type	ISO VG 46 MINER	Phase number	1 PH
Max. ambient temp.	43,0 °C	Oil charge	500 cm ³	Locked Rotor Amps (LRA)	31,90 A
				Max. Cont. Current (MCC)	9,20 A
				Main W. resist. at 25°C	1,71 Ω
				Start W. resist. at 25°C	4,90 Ω

NOMINAL PERFORMANCE

	ASHRAE	CECOMAF
Cooling Capacity	1.782 kCal/h	1.783 W
COP	2,30 W/W	2,02 W/W
EER	1,98 kCal/Wh	1,75 kCal/Wh
Input Power	900 W	882 W
Current	5,40 A	5,28 A

APPROVALS

TEST CYCLE CONDITIONS

	ASHRAE HBP (D)	CECOMAF HBP (C)
Evaporating temp. (T _e)	7,2 °C	5,0 °C
Condensing temp. (T _c)	55,0 °C	55,0 °C
Liquid temp. (T _{liq.})	46,0 °C	55,0 °C
Ambient temp. (T _{amb.})	35,0 °C	32,0 °C
Suction temp. (T _{suction})	35,0 °C	32,0 °C
Voltage/Frequency	200 V 50 Hz	200 V 50 Hz

ELECTRICAL COMPONENTS

Starting capacitor	47- 56 µF 330 V		
Run capacitor	16 µF 420 V		
Relay	Option 1	Option 2	
Reference	3ARR3 10S3	RVA 3AG..	
Pick-Up	180-195 V	180-195 V	
Drop-Out	40-105 V	40-105 V	
Protector	Option 1	Option 2	
Reference	MRA38123	T0534	
Current	22,00 A	20,00 A	
Time check	7,5-14 seg	7,5-14 seg	
Disc temp. (Open/Close)	105,00 / 52,00 °C	105,00 / 52,00 °C	

ASHRAE

Tc	Te	Cooling Capacity	Consumption	Current	COP	EER
°C	°C	kCal/h	W	A	W/W	kCal/Wh
40	-15	1.048	655	4,15	1,86	1,60
40	-10	1.282	683	4,25	2,18	1,88
40	-5	1.536	709	4,36	2,52	2,17
40	0	1.812	734	4,46	2,87	2,47
40	5	2.107	756	4,56	3,24	2,79
40	7,2	2.244	765	4,61	3,41	2,93
40	10	2.424	776	4,66	3,63	3,12

45	-15	935	650	4,13	1,67	1,44
45	-10	1.160	689	4,28	1,96	1,68
45	-5	1.405	727	4,43	2,25	1,93
45	0	1.671	762	4,60	2,55	2,19
45	5	1.957	796	4,77	2,86	2,46
45	7,2	2.090	810	4,84	3,00	2,58
45	10	2.264	827	4,94	3,18	2,74

50	-15	823	645	4,12	1,48	1,28
50	-10	1.038	696	4,30	1,74	1,49
50	-5	1.274	744	4,51	1,99	1,71
50	0	1.531	791	4,74	2,25	1,93
50	5	1.808	836	4,99	2,51	2,16
50	7,2	1.936	855	5,11	2,63	2,26
50	10	2.105	879	5,26	2,79	2,40

55	-15	710	640	4,10	1,29	1,11
55	-10	916	702	4,32	1,52	1,31
55	-5	1.143	762	4,59	1,74	1,50
55	0	1.390	820	4,90	1,97	1,70
55	5	1.658	876	5,24	2,20	1,89
55	7,2	1.782	900	5,40	2,30	1,98
55	10	1.946	930	5,61	2,43	2,09

60	-15	598	635	4,08	1,09	0,94
60	-10	794	708	4,35	1,30	1,12
60	-5	1.012	780	4,68	1,51	1,30
60	0	1.249	849	5,07	1,71	1,47
60	5	1.508	916	5,51	1,91	1,65
60	7,2	1.628	945	5,72	2,00	1,72
60	10	1.787	981	6,00	2,12	1,82

CECOMAF

Tc	Te	Cooling Capacity	Consumption	Current	COP	EER
°C	°C	W	W	A	W/W	kCal/Wh
40	-15	1.144	659	4,16	1,74	1,50
40	-10	1.401	687	4,27	2,04	1,76
40	-5	1.679	714	4,37	2,35	2,03
40	0	1.980	738	4,48	2,68	2,32
40	5	2.302	761	4,59	3,03	2,61
40	7,2	2.450	770	4,63	3,18	2,75
40	10	2.646	781	4,69	3,39	2,93

45	-15	1.017	654	4,14	1,56	1,34
45	-10	1.263	693	4,29	1,82	1,57
45	-5	1.529	731	4,45	2,09	1,81
45	0	1.818	767	4,62	2,37	2,05
45	5	2.129	801	4,79	2,66	2,30
45	7,2	2.272	815	4,87	2,79	2,41
45	10	2.461	833	4,98	2,95	2,55

50	-15	891	649	4,13	1,37	1,19
50	-10	1.124	700	4,32	1,61	1,39
50	-5	1.380	749	4,53	1,84	1,59
50	0	1.657	796	4,77	2,08	1,80
50	5	1.956	841	5,03	2,32	2,01
50	7,2	2.094	861	5,14	2,43	2,10
50	10	2.277	885	5,30	2,57	2,22

55	-15	765	644	4,11	1,19	1,03
55	-10	986	706	4,34	1,40	1,21
55	-5	1.230	767	4,62	1,60	1,39
55	0	1.496	825	4,93	1,81	1,57
55	5	1.783	882	5,28	2,02	1,75
55	7,2	1.916	906	5,44	2,11	1,83
55	10	2.092	936	5,66	2,23	1,93

60	-15	638	639	4,10	1,00	0,86
60	-10	848	712	4,37	1,19	1,03
60	-5	1.080	784	4,71	1,38	1,19
60	0	1.334	854	5,10	1,56	1,35
60	5	1.610	922	5,55	1,75	1,51
60	7,2	1.738	951	5,77	1,83	1,58
60	10	1.907	988	6,05	1,93	1,67

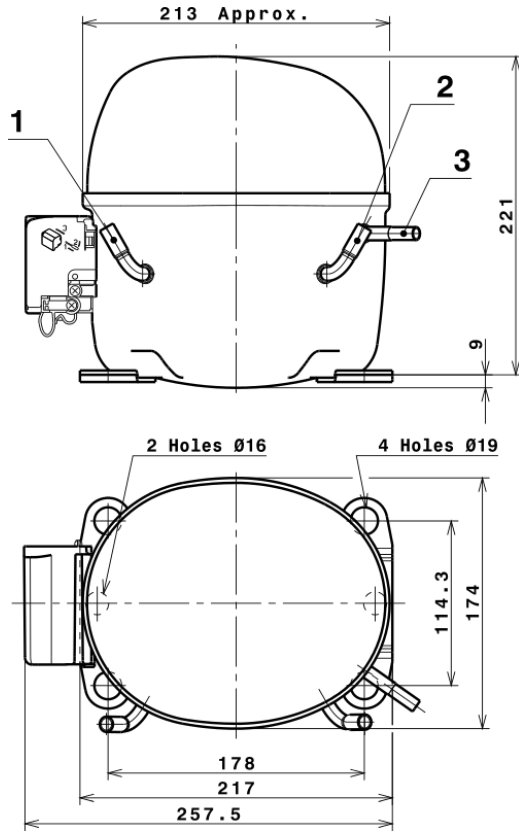
EN12900

X	Cooling Capacity (W)	Consumption (W)	Current (A)	Mass Flow (kg/h)
1	3.307,9481082655	519,2280698903	2,8349910902	58,48358304612
2	82,8372336923	-13,5893177087	-0,0890454038	1,4400177656552
3	-33,0644130732	5,9676640499	0,0404827562	-0,41041334600739
4	0,4490225817	-0,0326939643	0,0008567326	0,014086727123053
5	-0,4994271452	0,4664976699	0,0029412557	-0,00052989243493922

Equation	$x_1 + x_2Te + x_3Tc + x_4Te^2 + x_5TeTc$
----------	---

Technical Data Sheet

COMPRESSOR DIMENSIONS

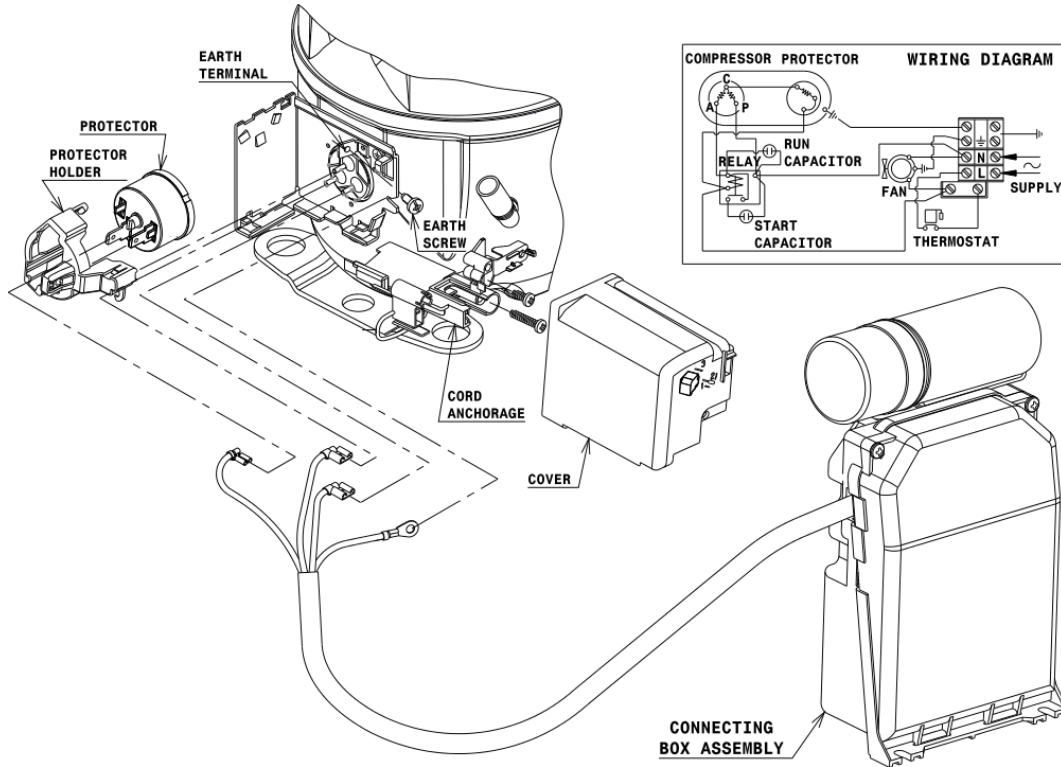


DESIGNATION INTERNAL DIAM.

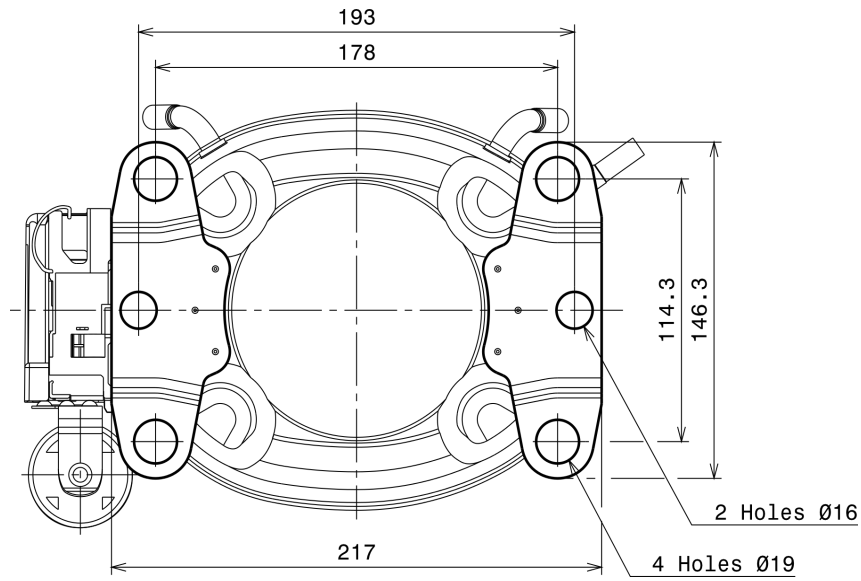
DESIGNATION	INTERNAL DIAM.
1 Service	9,7 mm
2 Suction	9,7 mm
3 Discharge	6,5 mm

WIRING DIAGRAMS AND ELECTRICAL ASSEMBLY

CSR CONNECTION (EXTERNAL CONNECTING BOX) (X range)



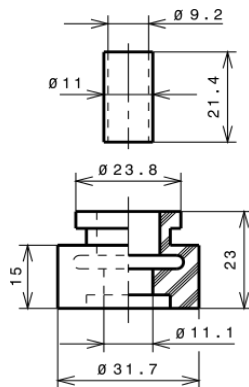
FIXINGS



SILENT BLOCKS (MOUNTING ACCESSORIES)

STANDARD

$\varnothing 19$ holes (178x114.3 net)



SOA

SOA R22 HBP

