

FR6CL LBP/MBP Compressor R404A/R507 220-240V 50Hz

Data Sheet (Replaces CF.53.A1.02)

General

Compressor	FR6CL
Code number	103U2670

Application

Application		LBP/MBP
Evaporating temperature range	°C	-45 to -5
Voltage range	V/Hz	198 - 254 /50
Motor type		CSIR
Max. ambient temperature	°C	38
Comp. cooling at ambient temp.	32°C	F ₂
	38°C	F ₂

Design

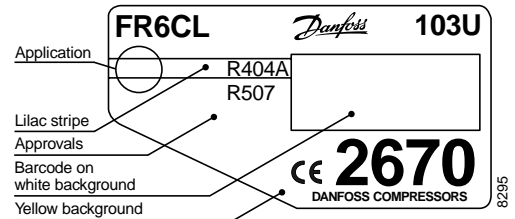
Displacement	cm ³	6.23
Oil quantity	cm ³	450
Maximum refrigerant charge	g	850
Free gas vol. in compressor	cm ³	1350
Weight without electrical equipment	kg	10.5

Motor

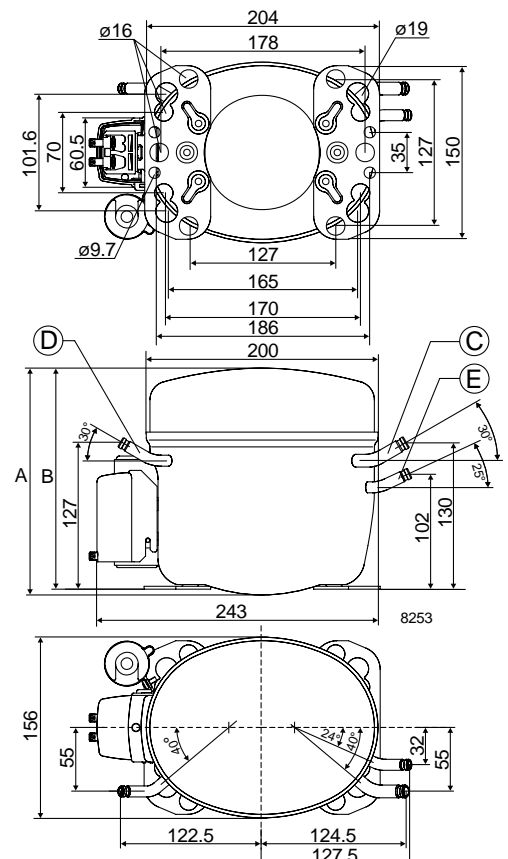
Motor size	watt	215
LRA (rated after 4 sec. UL984) HST	A	8.2
Cut-in current HST	A	8.2
Resistance, main and start winding (25°C)	Ω	8.9/12.0
Approvals		EN 60335-2-34

Dimensions

Height	mm	A	196
		B	191
Suction connector	location/I.D. mm	C	8.2 ±0.09
Process connector	location/I.D. mm	D	6.2 ±0.09
Discharge connector	location/I.D. mm	E	6.2 ±0.09
Compressors on a pallet	pcs.		80



- S = Static cooling normally sufficient
- O = Oil cooling
- F₁ = Fan cooling 1.5 m/s
(compressor compartment temperature equal to ambient temperature)
- F₂ = Fan cooling 3.0 m/s necessary



Capacity (EN 12900/CECOMAF)

watt

Comp. °C	-45	-40	-35	-30	-25	-23.3	-20	-15	-10	-5
FR6CL	77	108	145	189	243	263	307	383	473	578

Capacity (ASHRAE)

watt

Comp. °C	-45	-40	-35	-30	-25	-23.3	-20	-15	-10	-5
FR6CL	90	125	168	220	283	307	358	447	553	676

Power consumption

watt

Comp. °C	-45	-40	-35	-30	-25	-23.3	-20	-15	-10	-5
FR6CL	126	152	180	210	242	253	276	313	353	395

Current consumption

A

Comp. °C	-45	-40	-35	-30	-25	-23.3	-20	-15	-10	-5
FR6CL	1.13	1.18	1.26	1.35	1.46	1.51	1.60	1.75	1.91	2.09

COP (EN 12900/CECOMAF)

W/W

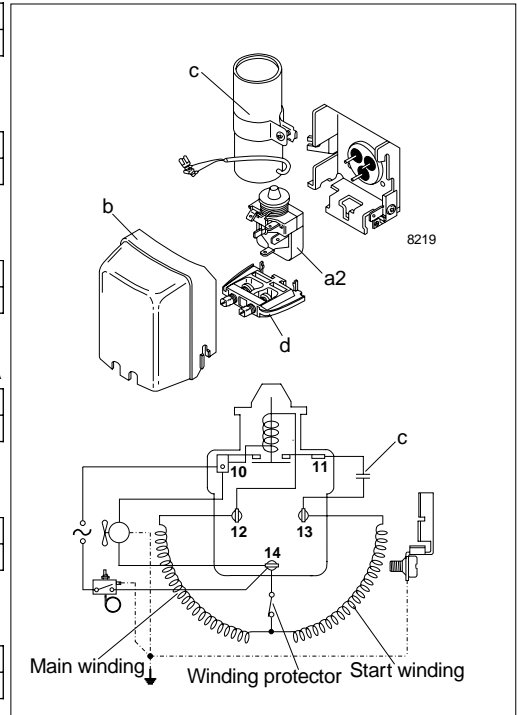
Comp. °C	-45	-40	-35	-30	-25	-23.3	-20	-15	-10	-5
FR6CL	0.61	0.71	0.80	0.90	1.00	1.04	1.11	1.22	1.34	1.47

COP (ASHRAE)

W/W

Comp. °C	-45	-40	-35	-30	-25	-23.3	-20	-15	-10	-5
FR6CL	0.71	0.82	0.94	1.05	1.17	1.21	1.29	1.43	1.57	1.71

Test conditions	EN 12900/CECOMAF	ASHRAE
Condensing temperature	45°C	45°C
Ambient and suction gas temp.	32°C	32°C
Liquid temperature	45°C	32°C
Fan cooling F ₂ , 220V 50Hz		



Accessories

Devices	Fig.	FR6CL
Starting relay	a2	117U6015
Cover	b	103N2010
Starting capacitor 80 µF	c	117U5015
Cord relief	d	103N1010
Mounting accessories		
Bolt joint for one compressor		118-1917
Bolt joint in quantities		118-1918
Snap-on in quantities		118-1919