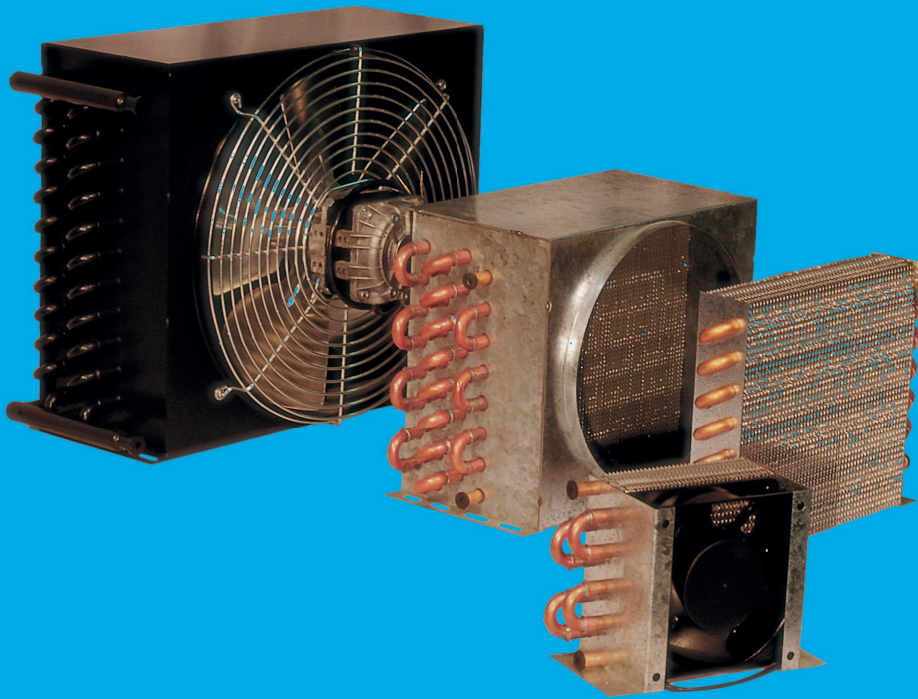


# C Range

Condensers for watertight units



Power range  
**0,2-6,9 kW**



Large 4 mm spacing between fins to prevent dirt



Small-dimensioned, highly compact design



Great versatility and finishing options to suit the client's needs



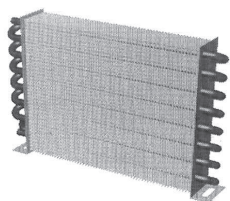
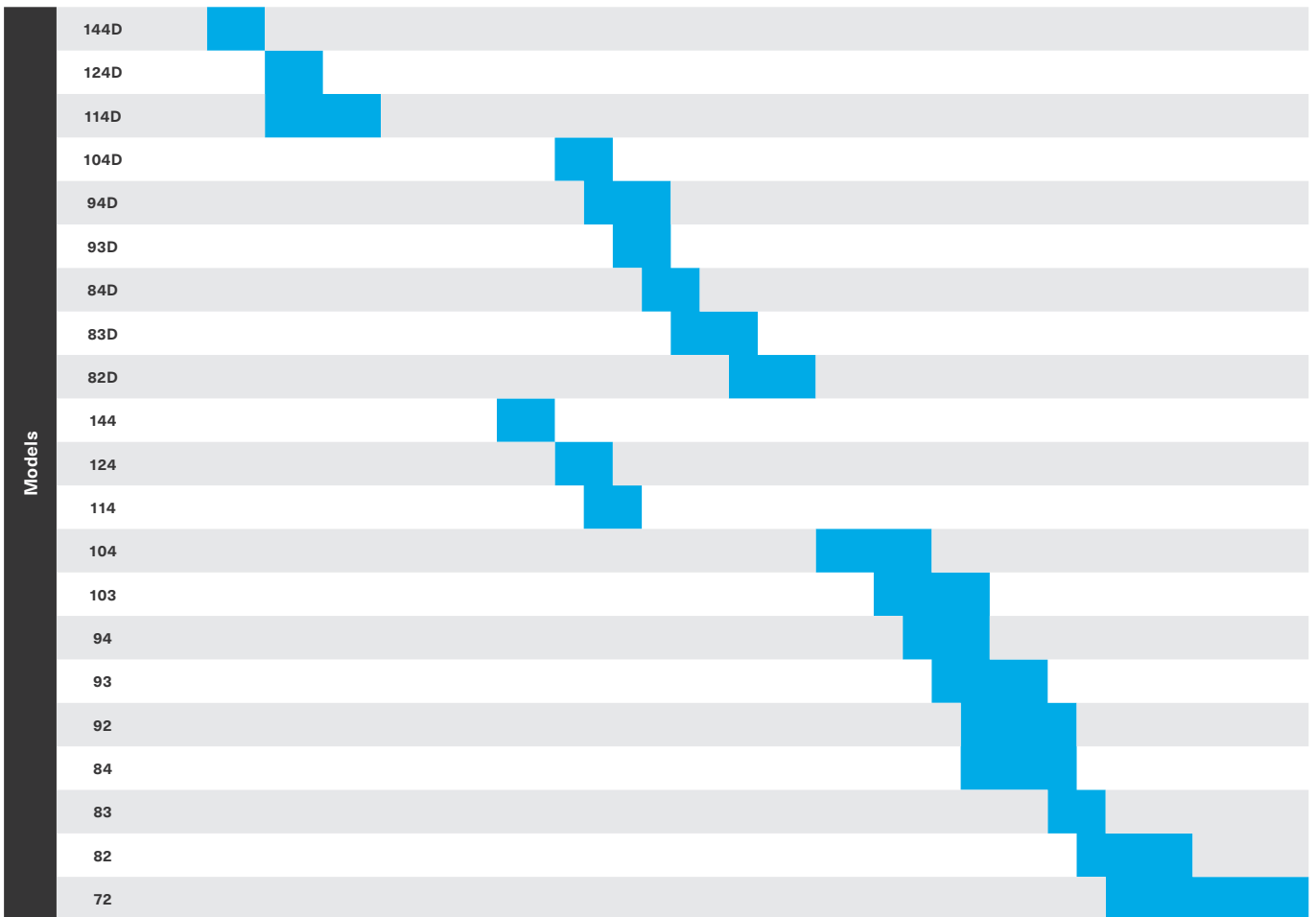
Specifically designed for dispensers



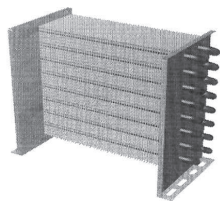
Keeping it Fresh

INDICATIVE SELECTION ACCORDING TO COMPRESSORS

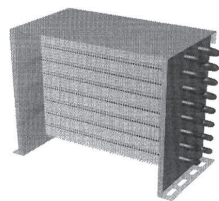
| (W)    | 7000 | 5800 | 5200 | 4700 | 3800 | 3500 | 2900 | 2600 | 2100 | 1600 | 1500 | 1400 | 1300 | 1200 | 1000 | 900 | 800 | 700 | 600 | 500 |     |
|--------|------|------|------|------|------|------|------|------|------|------|------|------|------|------|------|-----|-----|-----|-----|-----|-----|
| LOW P  | 2,5  |      | 2    |      |      | 1,5  |      | 1    |      |      | 3/4  |      |      | 1/2  |      |     |     | 1/3 |     |     | 1/4 |
| HIGH P | 2    |      | 1,5  |      |      |      | 1    | 3/4  |      |      |      | 1/2  |      |      | 1/3  | 1/4 | 1/5 | 1/6 |     |     | 1/8 |



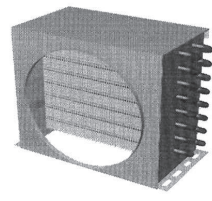
CS



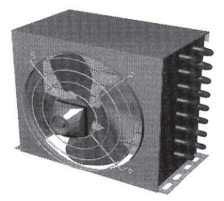
SB



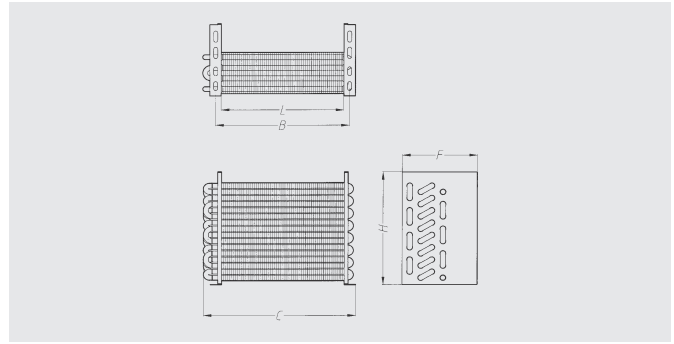
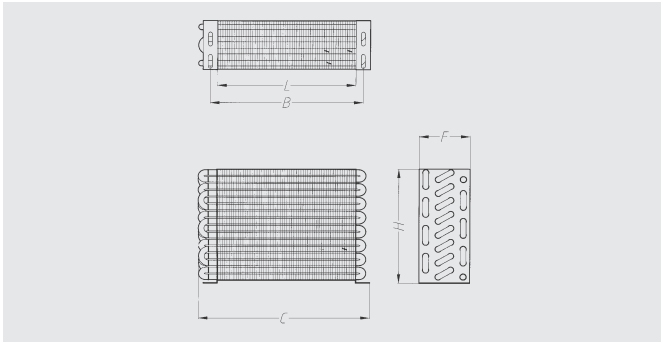
CT



CB



CV

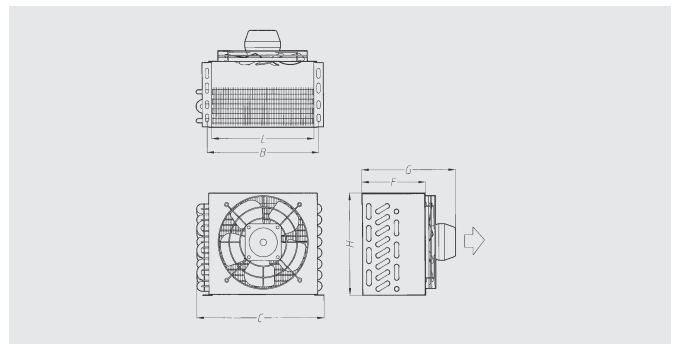
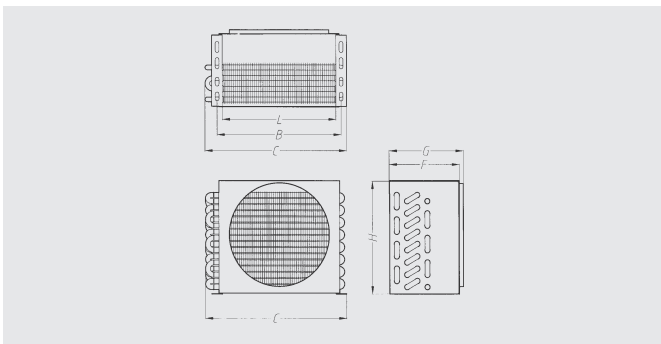


### Type CS

| Model   | Dimensions (mm) |     |     |    |     | Weight (kg) |
|---------|-----------------|-----|-----|----|-----|-------------|
|         | L               | B   | C   | F  | H   |             |
| CK-52   | -               | -   | -   | -  | -   | -           |
| CK-53   | -               | -   | -   | -  | -   | -           |
| CK-54   | -               | -   | -   | -  | -   | -           |
| C CS42  | 220             | 245 | 278 | 45 | 202 | 0,6         |
| C CS72  | 220             | 245 | 278 | 45 | 202 | 0,7         |
| C CS82  | 240             | 265 | 298 | 45 | 205 | 0,8         |
| C CS83  | 240             | 265 | 298 | 67 | 205 | 1,1         |
| C CS84  | 240             | 265 | 298 | 88 | 205 | 1,5         |
| C CS92  | 270             | 295 | 331 | 45 | 230 | 1,3         |
| C CS93  | 270             | 295 | 331 | 67 | 230 | 1,5         |
| C CS94  | 270             | 295 | 331 | 88 | 230 | 1,9         |
| C CS102 | 270             | 295 | 331 | 45 | 255 | 1,6         |
| C CS103 | 270             | 295 | 331 | 67 | 255 | 1,8         |
| C CS104 | 270             | 295 | 331 | 88 | 255 | 2,1         |

### Type SB

| Model   | Dimensions (mm) |     |     |     |     | Weight (kg) |
|---------|-----------------|-----|-----|-----|-----|-------------|
|         | L               | B   | C   | F   | H   |             |
| CK-52   | 120             | 150 | 175 | 88  | 127 | 0,5         |
| CK-53   | 120             | 150 | 175 | 109 | 127 | 0,6         |
| CK-54   | 120             | 150 | 175 | 131 | 127 | 0,7         |
| C SB42  | 240             | 262 | 298 | 102 | 230 | 0,8         |
| C SB72  | 240             | 262 | 298 | 102 | 230 | 0,9         |
| C SB82  | 240             | 262 | 298 | 102 | 230 | 1,0         |
| C SB83  | 240             | 262 | 298 | 125 | 230 | 1,3         |
| C SB84  | 240             | 262 | 298 | 146 | 230 | 1,7         |
| C SB92  | 270             | 292 | 330 | 102 | 272 | 1,5         |
| C SB93  | 270             | 292 | 330 | 125 | 272 | 1,7         |
| C SB94  | 270             | 292 | 330 | 146 | 272 | 2,1         |
| C SB102 | 270             | 292 | 330 | 102 | 272 | 1,8         |
| C SB103 | 270             | 292 | 330 | 125 | 272 | 2,0         |
| C SB104 | 270             | 292 | 330 | 146 | 272 | 2,3         |



### Type CB

| Model    | Dimensions (mm) |     |     |     |     |     | Weight (kg) |
|----------|-----------------|-----|-----|-----|-----|-----|-------------|
|          | L               | B   | C   | F   | H   | G   |             |
| C CB42   | 240             | 262 | 298 | 105 | 231 | 116 | 1,3         |
| C CB72   | 240             | 262 | 298 | 105 | 231 | 116 | 1,5         |
| C CB82   | 240             | 262 | 298 | 105 | 231 | 116 | 1,5         |
| C CB83   | 240             | 262 | 298 | 128 | 231 | 139 | 2,0         |
| C CB84   | 240             | 262 | 298 | 149 | 231 | 160 | 2,4         |
| C CB92   | 270             | 292 | 330 | 105 | 273 | 125 | 1,8         |
| C CB93   | 270             | 292 | 330 | 128 | 273 | 147 | 2,4         |
| C CB94   | 270             | 292 | 330 | 149 | 273 | 169 | 2,9         |
| C CB102  | 270             | 292 | 330 | 105 | 273 | 125 | 1,9         |
| C CB103  | 270             | 292 | 330 | 128 | 273 | 148 | 2,5         |
| C CB104  | 270             | 292 | 330 | 149 | 273 | 169 | 3,0         |
| C CB114  | 350             | 375 | 430 | 160 | 326 | 180 | 4,5         |
| C CB124  | 350             | 375 | 430 | 160 | 326 | 180 | 4,7         |
| C CB144  | 350             | 375 | 430 | 160 | 363 | 180 | 5,3         |
| C CB82D  | 480             | 502 | 538 | 105 | 231 | 116 | 2,5         |
| C CB83D  | 480             | 502 | 538 | 128 | 231 | 139 | 3,2         |
| C CB84D  | 480             | 502 | 538 | 149 | 231 | 160 | 4,0         |
| C CB94D  | 540             | 564 | 600 | 149 | 273 | 160 | 4,7         |
| C CB104D | 540             | 564 | 600 | 149 | 273 | 160 | 4,9         |
| C CB114D | 700             | 725 | 775 | 160 | 328 | 180 | 7,8         |
| C CB124D | 700             | 725 | 775 | 160 | 328 | 180 | 8,1         |
| C CB144D | 700             | 725 | 775 | 160 | 363 | 180 | 9,1         |

### Type CV

| Model    | Dimensions (mm) |     |     |     |     |     | Weight (kg) |
|----------|-----------------|-----|-----|-----|-----|-----|-------------|
|          | L               | B   | C   | F   | H   | G   |             |
| C CV42   | 240             | 262 | 298 | 105 | 231 | 175 | 2,9         |
| C CV72   | 240             | 262 | 298 | 105 | 231 | 175 | 3,1         |
| C CV82   | 240             | 262 | 298 | 105 | 231 | 175 | 3,1         |
| C CV83   | 240             | 262 | 298 | 128 | 231 | 208 | 3,6         |
| C CV84   | 240             | 262 | 298 | 149 | 231 | 220 | 4,0         |
| C CV92   | 270             | 292 | 330 | 105 | 273 | 181 | 4,1         |
| C CV93   | 270             | 292 | 330 | 128 | 273 | 203 | 4,7         |
| C CV94   | 270             | 292 | 330 | 149 | 273 | 225 | 5,2         |
| C CV102  | 270             | 292 | 330 | 105 | 273 | 181 | 4,2         |
| C CV103  | 270             | 292 | 330 | 128 | 273 | 203 | 4,8         |
| C CV104  | 270             | 292 | 330 | 149 | 273 | 225 | 5,3         |
| C CV114  | 350             | 375 | 430 | 160 | 326 | 245 | 8,3         |
| C CV124  | 350             | 375 | 430 | 160 | 326 | 245 | 8,5         |
| C CV144  | 350             | 375 | 430 | 160 | 363 | 245 | 9,1         |
| C CV82D  | 480             | 502 | 538 | 105 | 231 | 175 | 5,7         |
| C CV83D  | 480             | 502 | 538 | 128 | 231 | 203 | 6,4         |
| C CV84D  | 480             | 502 | 538 | 149 | 231 | 225 | 7,2         |
| C CV94D  | 540             | 564 | 600 | 149 | 273 | 225 | 9,3         |
| C CV104D | 540             | 564 | 600 | 149 | 273 | 225 | 9,5         |
| C CV114D | 700             | 725 | 775 | 160 | 328 | 245 | 15,4        |
| C CV124D | 700             | 725 | 775 | 160 | 328 | 245 | 15,7        |
| C CV144D | 700             | 725 | 775 | 160 | 363 | 245 | 16,7        |

## Technical data

| Model | Capacity<br>EN327<br>DT 15<br>(W) | Area<br>(m <sup>2</sup> ) | Volume<br>(dm <sup>3</sup> ) | Fans                            |        |     |     | Fin<br>spacing<br>(mm) | Connection |
|-------|-----------------------------------|---------------------------|------------------------------|---------------------------------|--------|-----|-----|------------------------|------------|
|       |                                   |                           |                              | Air Flow<br>(m <sup>3</sup> /h) | N° x Ø | W   | A   |                        |            |
| CK-52 | 202                               | 0,4                       | 0,1                          | 85                              | 1x120  | 20  | 0,1 | 3                      | 3/8"       |
| CK-53 | 267                               | 0,6                       | 0,2                          | 83                              | 1x120  | 20  | 0,1 | 3                      | 3/8"       |
| CK-54 | 331                               | 0,8                       | 0,3                          | 80                              | 1x120  | 20  | 0,1 | 3                      | 3/8"       |
| 42    | 450                               | 1,0                       | 0,2                          | 415                             | 1x200  | 29  | 0,2 | 4                      | 3/8"       |
| 72    | 786                               | 1,0                       | 0,3                          | 415                             | 1x200  | 29  | 0,2 | 4                      | 3/8"       |
| 82    | 800                               | 1,0                       | 0,3                          | 415                             | 1x200  | 29  | 0,2 | 4                      | 3/8"       |
| 83    | 1.062                             | 1,5                       | 0,5                          | 410                             | 1x200  | 29  | 0,2 | 4                      | 3/8"       |
| 84    | 1.310                             | 2,0                       | 0,6                          | 400                             | 1x200  | 29  | 0,2 | 4                      | 3/8"       |
| 92    | 1.207                             | 1,4                       | 0,4                          | 700                             | 1x250  | 36  | 0,3 | 4                      | 3/8"       |
| 93    | 1.603                             | 2,1                       | 0,6                          | 690                             | 1x250  | 36  | 0,3 | 4                      | 3/8"       |
| 94    | 1.996                             | 2,8                       | 0,8                          | 680                             | 1x250  | 36  | 0,3 | 4                      | 3/8"       |
| 102   | 1.221                             | 1,4                       | 0,4                          | 700                             | 1x250  | 36  | 0,3 | 4                      | 3/8"       |
| 103   | 1.627                             | 2,1                       | 0,7                          | 690                             | 1x250  | 36  | 0,3 | 4                      | 3/8"       |
| 104   | 2.019                             | 2,8                       | 0,9                          | 680                             | 1x250  | 36  | 0,3 | 4                      | 3/8"       |
| 114   | 3.088                             | 4,4                       | 1,2                          | 950                             | 1x300  | 60  | 0,4 | 4                      | 12 mm      |
| 124   | 3.117                             | 4,4                       | 1,3                          | 950                             | 1x300  | 60  | 0,4 | 4                      | 12 mm      |
| 144   | 3.454                             | 5,2                       | 1,5                          | 950                             | 1x300  | 60  | 0,4 | 4                      | 12 mm      |
| 82D   | 1.600                             | 2,0                       | 0,6                          | 830                             | 2x200  | 58  | 0,4 | 4                      | 3/8"       |
| 83D   | 2.124                             | 3,1                       | 1,0                          | 820                             | 2x200  | 58  | 0,4 | 4                      | 3/8"       |
| 84D   | 2.620                             | 4,1                       | 1,3                          | 800                             | 2x200  | 58  | 0,4 | 4                      | 3/8"       |
| 94D   | 3.992                             | 5,7                       | 1,6                          | 1.360                           | 2x250  | 72  | 0,5 | 4                      | 3/8"       |
| 104D  | 4.038                             | 5,7                       | 1,7                          | 1.360                           | 2x250  | 72  | 0,5 | 4                      | 12 mm      |
| 114D  | 6.176                             | 8,8                       | 2,4                          | 1.900                           | 2x300  | 120 | 0,8 | 4                      | 12 mm      |
| 124D  | 6.234                             | 8,9                       | 2,6                          | 1.900                           | 2x300  | 120 | 0,8 | 4                      | 12 mm      |
| 144D  | 6.908                             | 10,4                      | 3,0                          | 1.900                           | 2x300  | 120 | 0,8 | 4                      | 12 mm      |

### Codification Description

| C            | CV  | 84           | D                               | I  | G  |
|--------------|---|--------------|---------------------------------|--|--|
| ↑            | ↑   | ↑            | ↑                               | ↑  | ↑  |
| <b>Range</b> | <b>Bodywork</b><br>CS = Flat<br>SB = Without baffle<br>CT = With ceiling<br>CB = With baffle<br>CV = With fan | <b>Model</b> | D = Double baffle<br>Ø = Simple | <b>Refrigerant<br/>connection outlets</b><br>I = Left<br>D = Right | G = Natural finish<br>P = Painted finish |

## I-CO-05.4-C