

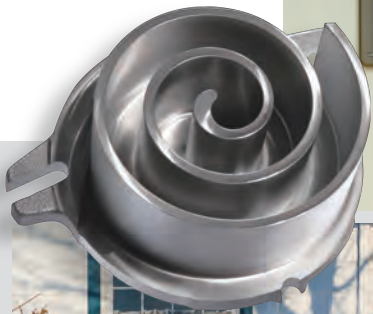
InvoTech

Scroll Compressor

Product Manual



*It is the outstanding engineering capability
that builds the incomparable reliability*



InvoTech Scroll Technologies Co., Ltd.

is a high-tech company.

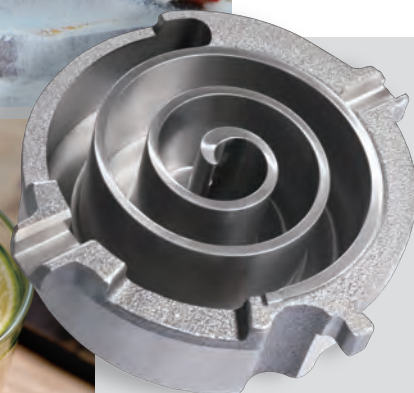
Our company is founded by a group of engineers who formerly worked for the world's largest manufacturer of scroll compressors. We are a team of passionate and highly qualified professionals with more than 15 years of experience in this industry. Our company's products in addition to impressive sales performance in the domestic market, also sales to Asia, Africa, Europe, South America and other more than 30 countries and regions.

Our company provides specialized scroll compressors and related technical consulting services for heat pump water heaters, refrigeration and air conditioning, chillers and other applications. We are willing to provide our customers with jointly developed or Turn-Key solutions to meet their needs.

Our vision: to become a global first class solution provider by providing innovative products for the climate and energy industries.

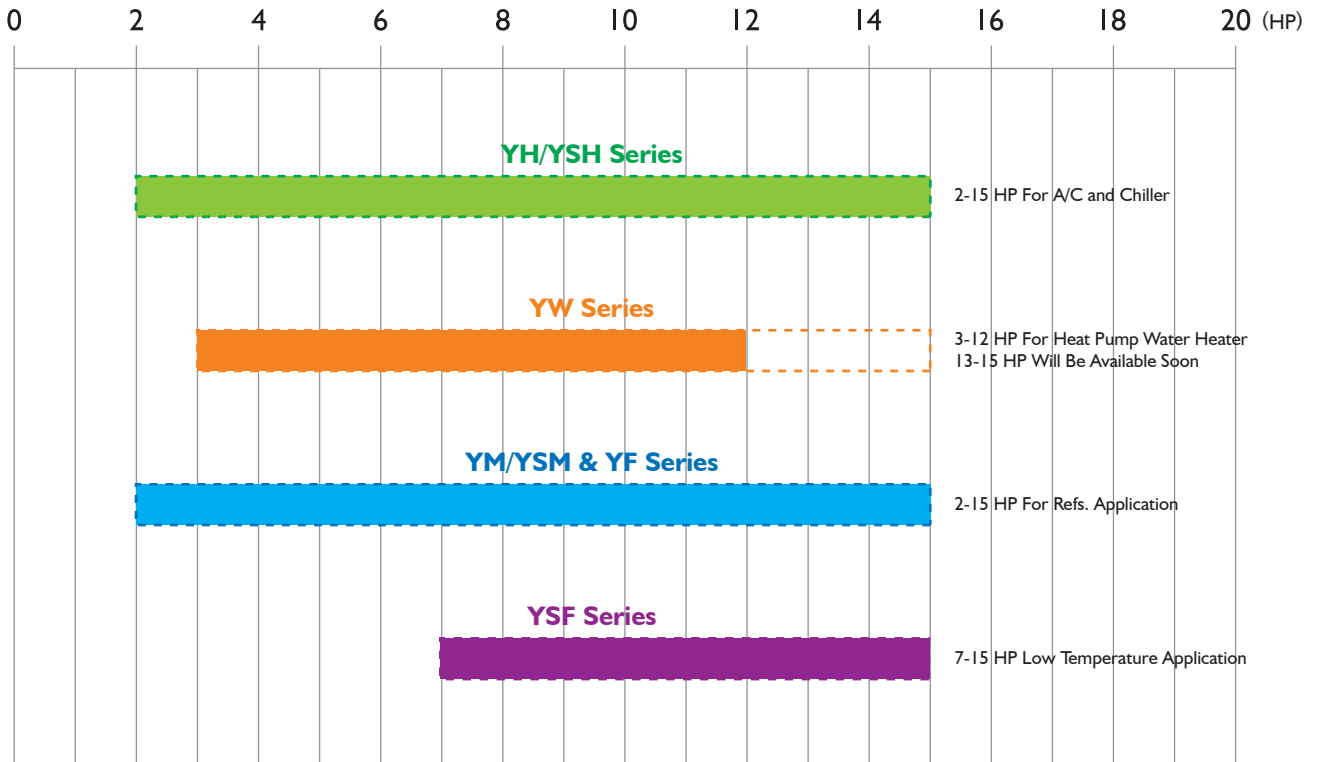
For more information please visit:

www.invotech.cn

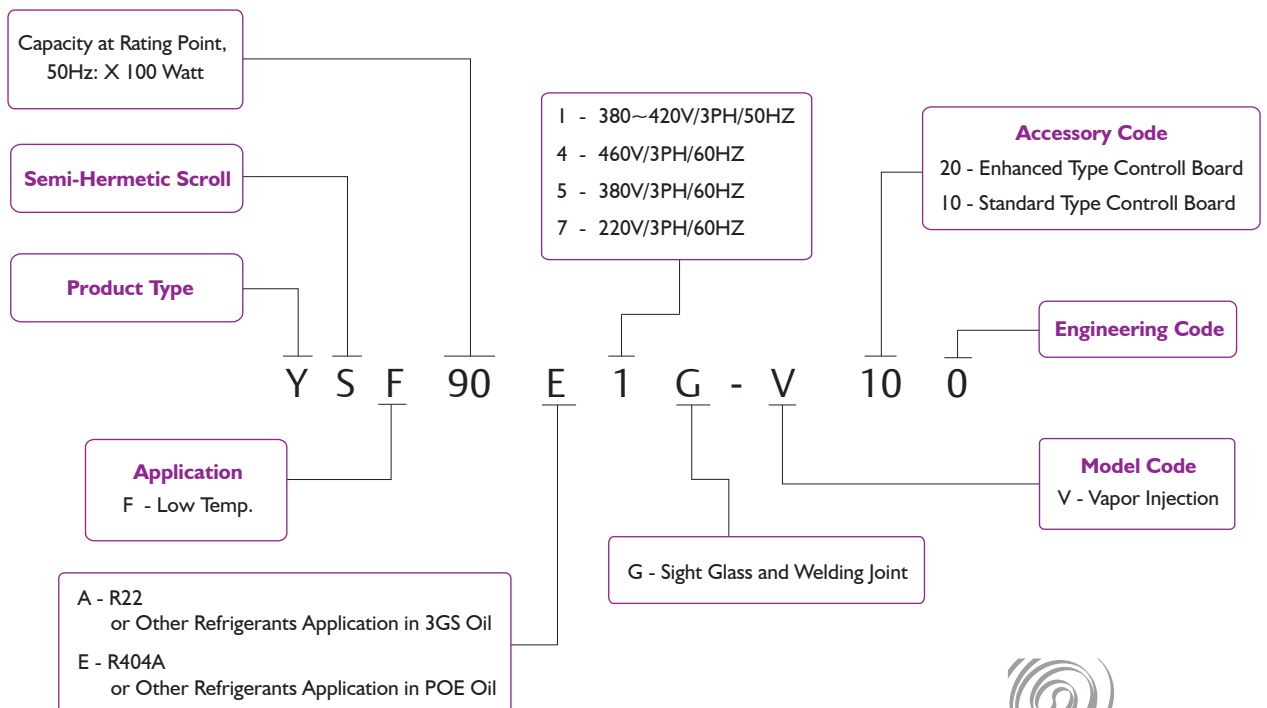
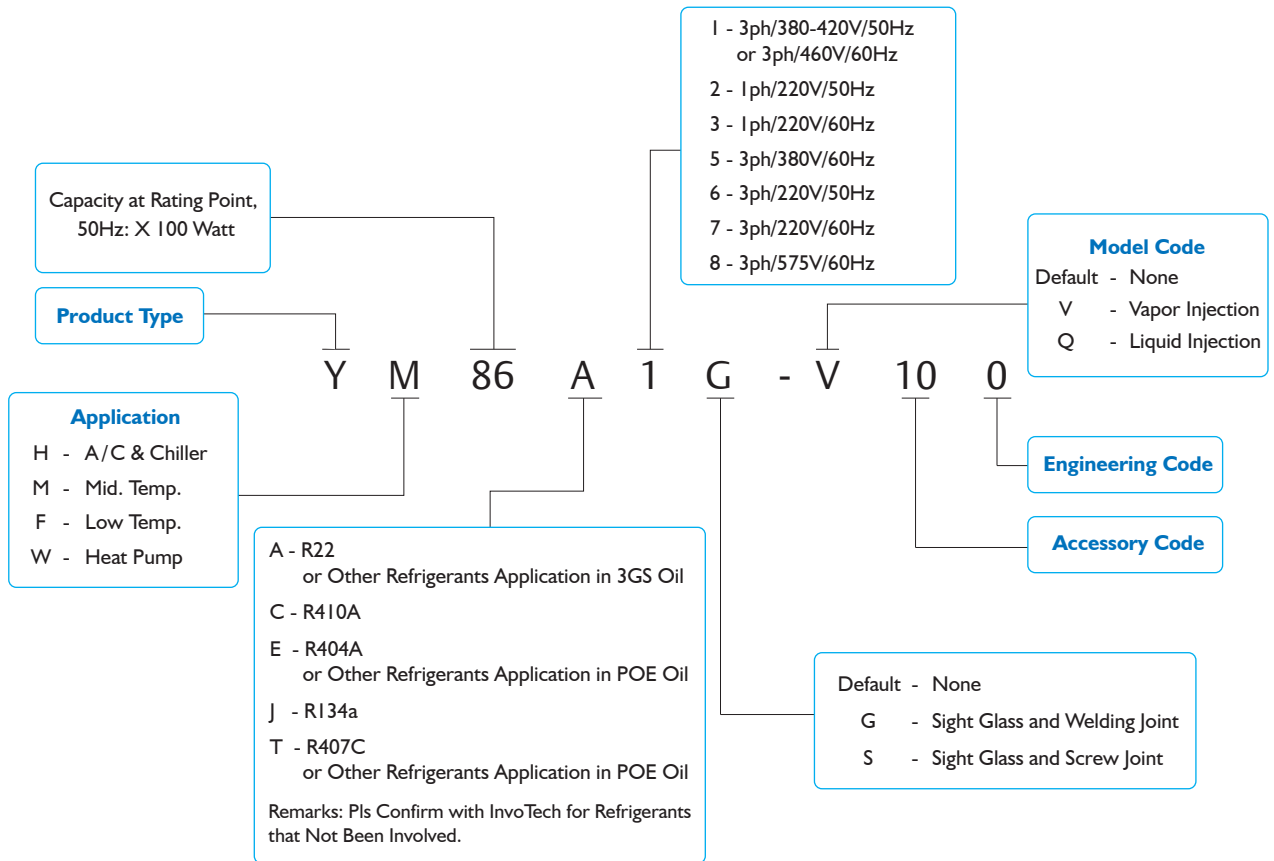


Models	1
Nomenclature	2
Specifications	3
YH/YSH	3
YW	5
YM/YSM	9
YF	11
YSF	13
Product Dimensions	14
YH	14
YW	16
YM	18
YF	20
YSF	21
YSH/YSM	23

Models



Nomenclature



YH/YSH Series

For A/C and Chiller

Model	Electricity V/Hz	Phase	Power (HP)	Displ. m ³ /h	Cooling Capacity (W)	Power in Watt (W)	COP (W/W)	Running Current (A)	Dimensions
R407C									
YH69T2-100	220V/50HZ	1	2	6.7	6530	2200	2.96	10.4	P14
YH89T2-100	220V/50HZ	1	3	8.6	8540	2827	3.02	13.4	P14
YH104T2-100	220V/50HZ	1	3.5	10.3	10180	3250	3.13	15.4	P14
YH119T2-100	220V/50HZ	1	4	11.5	11420	3660	3.12	17.3	P14
YH128T2-100	220V/50HZ	1	4.3	12.4	12290	3870	3.18	18.4	P14
YH69T1-100	380V/50HZ	3	2	6.7	6530	2160	3.02	4.8	P14
YH89T1-100	380V/50HZ	3	3	8.6	8540	2680	3.19	5.3	P14
YH104T1-100	380V/50HZ	3	3.5	10.3	10180	3190	3.19	6.6	P14
YH119T1-100	380V/50HZ	3	4	11.5	11420	3550	3.22	7.1	P14
YH128T1-100	380V/50HZ	3	4.3	12.4	12290	3750	3.28	7.6	P14
YH133T1-100	380V/50HZ	3	4.5	12.9	12770	3900	3.27	7.8	P14
YH140T1-100	380V/50HZ	3	4.7	13.5	13440	4130	3.25	8.0	P14
YH150T1-100	380V/50HZ	3	5	14.5	14400	4410	3.27	8.4	P14
YH175T1-100	380V/50HZ	3	6	16.9	16510	5030	3.28	9.1	P14
YH200T1-100	380V/50HZ	3	7	18.7	19200	5950	3.23	11.5	P15
YH230T1-100	380V/50HZ	3	8	21.4	22180	6770	3.28	12.9	P15
YH266T1-100	380V/50HZ	3	9	24.7	25530	7780	3.28	14.8	P15
YH307T1-100	380V/50HZ	3	10	29.1	29470	8910	3.31	15.6	P15
YH355T1-100	380V/50HZ	3	12	32.9	34080	10240	3.33	17.8	P15
YSH400T1G-100	380V/50HZ	3	13	37.7	38976	12060	3.23	21.5	P23
YSH450T1G-100	380V/50HZ	3	15	42.5	43968	13605	3.23	24.4	P23

Ambient Temp. 35°C, E.T. 7.2°C, C.T. 54.4°C, Subcooling 8.3K, R.G.T. 18.3°C



YH/YSH Series

For A/C and Chiller

Model	Electricity V/Hz	Phase	Power (HP)	Displ. m ³ /h	Cooling Capacity (W)	Power in Watt (W)	COP (W/W)	Running Current (A)	Dimensions
R410A									
YH95C1-100	380V/50HZ	3	3.5	6.7	9500	3170	3.00	5.8	P14
YH119C1-100	380V/50HZ	3	4	8.0	11900	3888	3.06	7.4	P14
YH128C1-100	380V/50HZ	3	4.3	8.6	12800	4183	3.06	7.7	P14
YH150C1-100	380V/50HZ	3	5	10.3	15000	4854	3.09	8.6	P14
YH175C1-100	380V/50HZ	3	6	11.5	17300	5545	3.12	9.7	P14
YH183C1-100	380V/50HZ	3	6.5	12.4	18300	5810	3.15	10.4	P14
YH230C1-100	380V/50HZ	3	8	15.8	23000	7210	3.19	13.4	P15
YH266C1-100	380V/50HZ	3	9	17.4	26600	8340	3.19	14.8	P15
YH292C1-100	380V/50HZ	3	10	18.7	29200	9070	3.22	15.8	P15
YH325C1-100	380V/50HZ	3	11	21.4	32500	10100	3.22	17.7	P15
YH355C1-100	380V/50HZ	3	12	22.9	34800	10800	3.22	18.2	P15
R22									
YH69A2-100	220V/50HZ	1	2	6.7	6800	2180	3.12	10.3	P14
YH89A2-100	220V/50HZ	1	3	8.6	8900	2799	3.18	13.3	P14
YH104A2-100	220V/50HZ	1	3.5	10.3	10600	3230	3.28	15.3	P14
YH119A2-100	220V/50HZ	1	4	11.5	11900	3625	3.28	17.2	P14
YH128A2-100	220V/50HZ	1	4.3	12.4	12800	3830	3.34	18.2	P14
YH69A1-100	380V/50HZ	3	2	6.7	6800	2140	3.18	4.8	P14
YH89A1-100	380V/50HZ	3	3	8.6	8900	2650	3.35	5.3	P14
YH104A1-100	380V/50HZ	3	3.5	10.3	10600	3160	3.35	6.5	P14
YH119A1-100	380V/50HZ	3	4	11.5	11900	3520	3.38	7.0	P14
YH128A1-100	380V/50HZ	3	4.3	12.4	12800	3710	3.45	7.5	P14
YH133A1-100	380V/50HZ	3	4.5	12.9	13300	3860	3.45	7.7	P14
YH140A1-100	380V/50HZ	3	4.7	13.5	14000	4090	3.42	8.0	P14
YH150A1-100	380V/50HZ	3	5	14.5	15000	4370	3.42	8.3	P14
YH175A1-100	380V/50HZ	3	6	16.9	17200	4980	3.45	9.0	P14
YH200A1-100	380V/50HZ	3	7	18.7	20000	5880	3.40	11.3	P15
YH230A1-100	380V/50HZ	3	8	21.4	23100	6700	3.45	12.7	P15
YH266A1-100	380V/50HZ	3	9	24.7	26600	7700	3.45	14.6	P15
YH307A1-100	380V/50HZ	3	10	29.1	30700	8820	3.48	15.4	P15
YH355A1-100	380V/50HZ	3	12	32.9	35500	10140	3.50	17.6	P15
YSH400A1G-100	380V/50HZ	3	13	37.7	40600	11941	3.40	21.3	P23
YSH450A1G-100	380V/50HZ	3	15	42.5	45800	13470	3.40	24.2	P23

Ambient Temp. 35°C, E.T. 7.2°C, C.T. 54.4°C, Subcooling 8.3K, R.G.T. 18.3°C

YW Series

For Heat Pump

Model	Electricity V/HZ	Phase	Power (HP)	Displ. m ³ /h	Heating Capacity (W)	Power in Watt (W)	COP (W/W)	Running Current (A)	Dimensions
R407C									
YW75T2-100	220V/50HZ	1	3	8.1	10000	2740	3.65	12.7	P16
YW110T2-100	220V/50HZ	1	4	11.8	14650	3900	3.76	18.5	P16
YW75T1-100	380V/50HZ	3	3	8.1	9920	2660	3.73	5.8	P16
YW110T1-100	380V/50HZ	3	4	11.8	14590	3840	3.80	7.4	P16
YW135T1-100	380V/50HZ	3	5	14.5	17520	4550	3.85	8.4	P16
YW160T1-100	380V/50HZ	3	6	17.1	20480	5320	3.85	9.6	P16
YW190T1-100	380V/50HZ	3	7.5	20.1	25270	6646	3.80	12.5	P17
YW205T1-100	380V/50HZ	3	8	21.4	26717	6979	3.83	13.0	P17
YW245T1-100	380V/50HZ	3	9	25.3	31772	8252	3.85	14.7	P17
YW285T1-100	380V/50HZ	3	10	29.1	36829	9469	3.89	16.6	P17
YW320T1-100	380V/50HZ	3	12	32.9	41285	10565	3.91	18.2	P17

Ambient Temp. 35°C, E.T. 5°C, C.T. 55°C, Subcooling 8.3K, R.G.T. 16.1°C



YW Series

For Heat Pump

Model	Electricity V/Hz	Phase	Power (HP)	Displ. m ³ /h	Heating Capacity (W)	Power in Watt (W)	COP (W/W)	Running Current (A)	Dimensions
R407C - With EVI									
YW75T2-V100	220V/50HZ	1	3	8.1	10000	2740	3.65	12.7	P16
YW110T2-V100	220V/50HZ	1	4	11.8	14650	3900	3.76	18.5	P16
YW75T1-V100	380V/50HZ	3	3	8.1	11180	2910	3.84	6.3	P16
YW110T1-V100	380V/50HZ	3	4	11.8	16380	4190	3.91	7.9	P16
YW135T1-V100	380V/50HZ	3	5	14.5	19700	4970	3.96	9.2	P16
YW160T1-V100	380V/50HZ	3	6	17.1	23030	5810	3.96	10.3	P16
YW190T1-V100	380V/50HZ	3	7.5	20.1	26467	6912	3.83	12.9	P17
YW205T1-V100	380V/50HZ	3	8	21.4	27983	7258	3.86	13.5	P17
YW245T1-V100	380V/50HZ	3	9	25.3	33278	8582	3.88	15.2	P17
YW285T1-V100	380V/50HZ	3	10	29.1	38576	9848	3.92	17.2	P17
YW320T1-V100	380V/50HZ	3	12	32.9	43243	10987	3.94	18.9	P17
R410A									
YW75C1-100	380V/50HZ	3	3	5.8	10626	2826	3.76	5.3	P16
YW110C1-100	380V/50HZ	3	4	8.1	14577	3877	3.76	7.4	P16
YW135C1-100	380V/50HZ	3	5	10.3	18593	4893	3.80	8.7	P16
YW160C1-100	380V/50HZ	3	6	11.8	21403	5603	3.82	9.8	P16
YW270C1-100	380V/50HZ	3	10	20.1	37321	9821	3.80	16.7	P17
YW300C1-100	380V/50HZ	3	11	22.2	41290	10766	3.83	18.2	P17
YW320C1-100	380V/50HZ	3	12	22.9	42670	11170	3.82	18.9	P17
R410A - With EVI									
YW75C1-V100	380V/50HZ	3	3	5.8	11129	2939	3.79	5.4	P16
YW110C1-V100	380V/50HZ	3	4	8.1	15267	4032	3.79	7.5	P16
YW135C1-V100	380V/50HZ	3	5	10.3	19474	5089	3.83	8.9	P16
YW160C1-V100	380V/50HZ	3	6	11.8	22417	5827	3.85	10.1	P16
YW270C1-V100	380V/50HZ	3	10	20.1	38300	10000	3.83	17.8	P17
YW300C1-V100	380V/50HZ	3	11	22.2	42305	10968	3.85	18.5	P17
YW320C1-V100	380V/50HZ	3	12	22.9	43580	11380	3.83	19.2	P17

Ambient Temp. 35°C, E.T. 5°C, C.T. 55°C, Subcooling 8.3K, R.G.T. 16.1°C

YW Series

For Heat Pump

Model	Electricity V/HZ	Phase	Power (HP)	Displ. m ³ /h	Heating Capacity (W)	Power in Watt (W)	COP (W/W)	Running Current (A)	Dimensions
R22									
YW75A2-100	220V/50HZ	1	3	8.1	10200	2710	3.76	12.6	P16
YW110A2-100	220V/50HZ	1	4	11.8	15060	3860	3.90	18.3	P16
YW75A1-100	380V/50HZ	3	3	8.1	10200	2630	3.88	5.7	P16
YW110A1-100	380V/50HZ	3	4	11.8	15000	3800	3.95	7.3	P16
YW135A1-100	380V/50HZ	3	5	14.5	18000	4500	4.00	8.3	P16
YW160A1-100	380V/50HZ	3	6	17.1	21040	5260	4.00	9.5	P16
YW190A1-100	380V/50HZ	3	7.5	20.1	25980	6580	3.95	12.4	P17
YW205A1-100	380V/50HZ	3	8	21.4	27470	6910	3.98	12.9	P17
YW245A1-100	380V/50HZ	3	9	25.3	32670	8170	4.00	14.6	P17
YW285A1-100	380V/50HZ	3	10	29.1	37875	9375	4.04	16.4	P17
YW320A1-100	380V/50HZ	3	12	32.9	42460	10460	4.06	18.0	P17
R22 - With EVI									
YW75A2-V100	220V/50HZ	1	3	8.1	11450	2960	3.87	13.7	P16
YW110A2-V100	220V/50HZ	1	4	11.8	16920	4220	4.00	20.0	P16
YW75A1-V100	380V/50HZ	3	3	8.1	11470	2870	4.00	6.2	P16
YW110A1-V100	380V/50HZ	3	4	11.8	16850	4150	4.06	7.8	P16
YW135A1-V100	380V/50HZ	3	5	14.5	20220	4910	4.12	9.1	P16
YW160A1-V100	380V/50HZ	3	6	17.1	23640	5740	4.12	10.1	P16
YW190A1-V100	380V/50HZ	3	7.5	20.1	27213	6843	3.98	12.8	P17
YW205A1-V100	380V/50HZ	3	8	21.4	28774	7186	4.00	13.3	P17
YW245A1-V100	380V/50HZ	3	9	25.3	34222	8497	4.03	15.0	P17
YW285A1-V100	380V/50HZ	3	10	29.1	39675	9750	4.07	17.0	P17
YW320A1-V100	380V/50HZ	3	12	32.9	44478	10878	4.09	18.7	P17

Ambient Temp. 35°C, E.T. 5°C, C.T. 55°C, Subcooling 8.3K, R.G.T. 16.1°C

YW Series

For Heat Pump (Ultra-High Temp)

Model	Electricity V/Hz	Phase	Power (HP)	Displ. m ³ /h	Heating Capacity (W)	Power in Watt (W)	COP (W/W)	Running Current (A)	Dimensions
R134a									
YW55J2-100	220V/50HZ	1	2	8.1	7180	1700	4.23	7.9	P16
YW80J2-100	220V/50HZ	1	3	11.8	10450	2450	4.27	11.6	P16
YW55J1-100	380V/50HZ	3	3	8.1	7180	1689	4.25	4.1	P16
YW80J1-100	380V/50HZ	3	4	11.8	10430	2437	4.28	5.9	P16
YW100J1-100	380V/50HZ	3	5	14.5	13000	3023	4.30	6.4	P16
YW120J1-100	380V/50HZ	3	6	17.1	15530	3612	4.30	7.4	P16
YW132J1-100	380V/50HZ	3	6.5	18.3	16500	3837	4.30	7.7	P16
YW140J1-100	380V/50HZ	3	7	20.1	17530	4125	4.25	9.0	P17
YW155J1-100	380V/50HZ	3	7.5	21.4	18830	4400	4.28	9.5	P17
YW180J1-100	380V/50HZ	3	8	25.3	23450	5450	4.30	11.0	P17
YW200J1-100	380V/50HZ	3	9	29.1	25540	5940	4.30	11.6	P17
YW240J1-100	380V/50HZ	3	10	32.9	29220	6720	4.35	12.5	P17
R134a - With EVI									
YW55J2-V100	220V/50HZ	1	2	8.1	7522	1768	4.25	8.6	P16
YW80J2-V100	220V/50HZ	1	3	11.8	10948	2548	4.30	12.6	P16
YW55J1-V100	380V/50HZ	3	3	8.1	7522	1757	4.28	4.2	P16
YW80J1-V100	380V/50HZ	3	4	11.8	10927	2534	4.31	6.0	P16
YW100J1-V100	380V/50HZ	3	5	14.5	13620	3144	4.33	6.6	P16
YW120J1-V100	380V/50HZ	3	6	17.1	16270	3756	4.33	7.6	P16
YW132J1-V100	380V/50HZ	3	6.5	18.3	17325	4029	4.30	7.9	P16
YW140J1-V100	380V/50HZ	3	7	20.1	18365	4290	4.28	9.2	P17
YW155J1-V100	380V/50HZ	3	7.5	21.4	19728	4576	4.31	9.7	P17
YW180J1-V100	380V/50HZ	3	8	25.3	24568	5668	4.33	11.3	P17
YW200J1-V100	380V/50HZ	3	9	29.1	26758	6178	4.33	11.9	P17
YW240J1-V100	380V/50HZ	3	10	32.9	30614	6989	4.38	12.9	P17

Ambient Temp. 35°C, E.T. 7.2°C, C.T. 54.4°C, Subcooling 8.3K, R.G.T. 18.3°C

YM/YSM Series

For Refs. Application

Model	Electricity V/Hz	Phase	Power (HP)	Displ. m ³ /h	Cooling Capacity (W)	Power in Watt (W)	COP (W/W)	Running Current (A)	Dimensions
R404A									
YM34E2G-100	220V/50HZ	1	2	5.8	3560	1958	1.82	9.8	P18
YM43E2G-100	220V/50HZ	1	2.5	7.3	4250	2254	1.89	11.3	P18
YM49E2G-100	220V/50HZ	1	3	8.1	4840	2550	1.90	11.8	P18
YM70E2G-100	220V/50HZ	1	4	11.8	6920	3601	1.92	16.9	P18
YM34E1G-100	380V/50HZ	3	2	5.8	3560	1920	1.85	3.5	P18
YM43E1G-100	380V/50HZ	3	2.5	7.3	4250	2210	1.92	4.8	P18
YM49E1G-100	380V/50HZ	3	3	8.1	4840	2500	1.94	5.1	P18
YM70E1G-100	380V/50HZ	3	4	11.8	6920	3530	1.96	7.0	P18
YM86E1G-100	380V/50HZ	3	5	14.5	8500	4250	2.00	8.0	P18
YM102E1G-100	380V/50HZ	3	6	17.1	10100	5050	2.00	9.4	P18
YM125E1G-100	380V/50HZ	3	7	20.1	12240	6070	2.02	11.8	P19
YM132E1G-100	380V/50HZ	3	8	21.4	12893	6330	2.04	12.1	P19
YM158E1G-100	380V/50HZ	3	9	25.3	15842	7765	2.04	13.6	P19
YM182E1G-100	380V/50HZ	3	10	29.1	17856	8692	2.05	15.5	P19
YM200E1G-100	380V/50HZ	3	12	32.9	19536	9510	2.05	16.3	P19
YM210E1G-100	380V/50HZ	3	13	34.3	20544	9950	2.06	16.9	P19
YSM235E1G-100	380V/50HZ	3	13	37.7	23218	11900	1.95	21.5	P23
YSM260E1G-100	380V/50HZ	3	15	42.5	25688	13150	1.95	23.0	P23

E.T. -6.7°C, C.T. 48.9°C, R.G. 4.4°C, No Subcooling



YM/YSM Series

For Refs. Application

Model	Electricity V/Hz	Phase	Power (HP)	Displ. m ³ /h	Cooling Capacity (W)	Power in Watt (W)	COP (W/W)	Running Current (A)	Dimensions
R407F									
YM34E1G-100	380V/50HZ	3	2	5.8	3580	1905	1.88	3.4	P18
YM43E1G-100	380V/50HZ	3	2.5	7.3	4270	2180	1.96	4.6	P18
YM49E1G-100	380V/50HZ	3	3	8.1	4870	2460	1.98	4.9	P18
YM70E1G-100	380V/50HZ	3	4	11.8	6960	3480	2	6.9	P18
YM86E1G-100	380V/50HZ	3	5	14.5	8550	4200	2.04	7.8	P18
YM102E1G-100	380V/50HZ	3	6	17.1	10140	4970	2.04	9	P18
YM125E1G-100	380V/50HZ	3	7	20.1	12350	6054	2.04	11.6	P19
YM132E1G-100	380V/50HZ	3	8	21.4	13009	6346	2.05	12.2	P19
YM158E1G-100	380V/50HZ	3	9	25.3	15985	7797	2.05	13.8	P19
YM182E1G-100	380V/50HZ	3	10	29.1	18017	8746	2.06	15.7	P19
YM200E1G-100	380V/50HZ	3	12	32.9	19712	9569	2.06	16.4	P19
YM210E1G-100	380V/50HZ	3	13	34.3	20729	9966	2.08	17	P19
R22									
YM34A2G-100	220V/50HZ	1	2	5.8	3600	1820	1.98	8.6	P18
YM43A2G-100	220V/50HZ	1	2.5	7.3	4300	2130	2.02	10.1	P18
YM49A2G-100	220V/50HZ	1	3	8.1	4900	2300	2.13	10.9	P18
YM70A2G-100	220V/50HZ	1	4	11.8	7000	3180	2.21	15.1	P18
YM34A1G-100	380V/50HZ	3	2	5.8	3600	1800	2.00	3.2	P18
YM43A1G-100	380V/50HZ	3	2.5	7.3	4300	2030	2.12	4.7	P18
YM49A1G-100	380V/50HZ	3	3	8.1	4900	2250	2.18	4.9	P18
YM70A1G-100	380V/50HZ	3	4	11.8	7000	3120	2.25	6.4	P18
YM86A1G-100	380V/50HZ	3	5	14.5	8600	3740	2.30	7.6	P18
YM102A1G-100	380V/50HZ	3	6	17.1	10200	4430	2.30	8.5	P18
YM125A1G-00	380V/50HZ	3	7	20.1	12500	5430	2.30	11.0	P19
YM132A1G-100	380V/50HZ	3	8	21.4	13200	5690	2.32	11.2	P19
YM158A1G-100	380V/50HZ	3	9	25.3	16219	6991	2.32	12.7	P19
YM182A1G-100	380V/50HZ	3	10	29.1	18200	7745	2.35	13.6	P19
YM200A1G-100	380V/50HZ	3	12	32.9	20000	8510	2.35	14.9	P19
YM210A1G-100	380V/50HZ	3	13	34.3	21000	8860	2.37	15.7	P19
YSM235A1G-100	380V/50HZ	3	13	37.7	23500	10450	2.25	19.1	P23
YSM260A1G-100	380V/50HZ	3	15	42.5	26000	11560	2.25	20.7	P23

E.T. -6.7°C, C.T. 48.9°C, R.G. 4.4°C, No Subcooling



Model	Electricity V/Hz	Phase	Power (HP)	Displ. m ³ /h	Cooling Capacity (W)	Power in Watt (W)	COP (W/W)	Running Current (A)	Dimensions
R404A - With Liquid Injection									
YF13E2G-Q100	220V/50HZ	1	2	5.8	1540	1290	1.18	6.1	P20
YF17E2G-Q100	220V/50HZ	1	2.5	7.3	1970	1650	1.19	7.8	P20
YF20E2G-Q100	220V/50HZ	1	3	8.1	2330	1920	1.21	9.1	P20
YF29E2G-Q100	220V/50HZ	1	4	11.8	3510	2650	1.32	12.5	P20
YF13E1G-Q100	380V/50HZ	3	2	5.8	1540	1280	1.20	2.5	P20
YF17E1G-Q100	380V/50HZ	3	2.5	7.3	1970	1620	1.22	2.9	P20
YF20E1G-Q100	380V/50HZ	3	3	8.1	2330	1880	1.24	4.5	P20
YF29E1G-Q100	380V/50HZ	3	4	11.8	3510	2600	1.35	5.3	P20
YF35E1G-Q100	380V/50HZ	3	5	14.5	4110	2980	1.38	6.6	P20
YF41E1G-Q100	380V/50HZ	3	6	17.1	4960	3470	1.43	7.0	P20
R404A - With EVI									
YF13E2G-V100	220V/50HZ	1	2	5.8	2160	1680	1.28	8.0	P20
YF17E2G-V100	220V/50HZ	1	2.5	7.3	2460	1890	1.30	8.8	P20
YF20E2G-V100	220V/50HZ	1	3	8.1	2910	2200	1.32	10.4	P20
YF29E2G-V100	220V/50HZ	1	4	11.8	4420	3120	1.42	14.8	P20
YF13E1G-V100	380V/50HZ	3	2	5.8	2160	1650	1.31	2.9	P20
YF17E1G-V100	380V/50HZ	3	2.5	7.3	2460	1850	1.33	3.2	P20
YF20E1G-V100	380V/50HZ	3	3	8.1	2910	2160	1.35	4.8	P20
YF29E1G-V100	380V/50HZ	3	4	11.8	4420	3060	1.44	5.8	P20
YF35E1G-V100	380V/50HZ	3	5	14.5	5260	3480	1.51	7.4	P20
YF41E1G-V100	380V/50HZ	3	6	17.1	6700	4240	1.58	7.9	P20

E.T. -31.6°C, C.T. 40.6°C, R.G. 4.4°C, No Subcooling



YF Series

For Refs. Application

Model	Electricity V/Hz	Phase	Power (HP)	Displ. m ³ /h	Cooling Capacity (W)	Power in Watt (W)	COP (W/W)	Running Current (A)	Dimensions
R22 - With Liquid Injection									
YF13A2G-Q100	220V/50HZ	1	2	5.8	1300	1170	1.10	5.5	P20
YF17A2G-Q100	220V/50HZ	1	2.5	7.3	1660	1500	1.11	7.1	P20
YF20A2G-Q100	220V/50HZ	1	3	8.1	1950	1750	1.11	8.3	P20
YF29A2G-Q100	220V/50HZ	1	4	11.8	2950	2410	1.22	11.4	P20
YF13A1G-Q100	380V/50HZ	3	2	5.8	1300	1160	1.12	2.3	P20
YF17A1G-Q100	380V/50HZ	3	2.5	7.3	1660	1470	1.13	2.7	P20
YF20A1G-Q100	380V/50HZ	3	3	8.1	1950	1710	1.14	4.3	P20
YF29A1G-Q100	380V/50HZ	3	4	11.8	2950	2360	1.25	5.0	P20
YF35A1G-Q100	380V/50HZ	3	5	14.5	3500	2710	1.29	6.3	P20
YF41A1G-Q100	380V/50HZ	3	6	17.1	4100	3150	1.30	6.5	P20
R22 - With EVI									
YF13A2G-V100	220V/50HZ	1	2	5.8	1860	1590	1.17	7.5	P20
YF17A2G-V100	220V/50HZ	1	2.5	7.3	2080	1720	1.21	8.0	P20
YF20A2G-V100	220V/50HZ	1	3	8.1	2440	2000	1.22	9.5	P20
YF29A2G-V100	220V/50HZ	1	4	11.8	3720	2840	1.31	13.4	P20
YF13A1G-V100	380V/50HZ	3	2	5.8	1860	1550	1.20	2.8	P20
YF17A1G-V100	380V/50HZ	3	2.5	7.3	2080	1690	1.23	3.0	P20
YF20A1G-V100	380V/50HZ	3	3	8.1	2440	1960	1.24	4.7	P20
YF29A1G-V100	380V/50HZ	3	4	11.8	3720	2780	1.34	5.6	P20
YF35A1G-V100	380V/50HZ	3	5	14.5	4480	3280	1.37	7.0	P20
YF41A1G-V100	380V/50HZ	3	6	17.1	5400	3750	1.44	7.4	P20

E.T. -31.6°C, C.T. 40.6°C, R.G. 4.4°C, No Subcooling

YSF Series

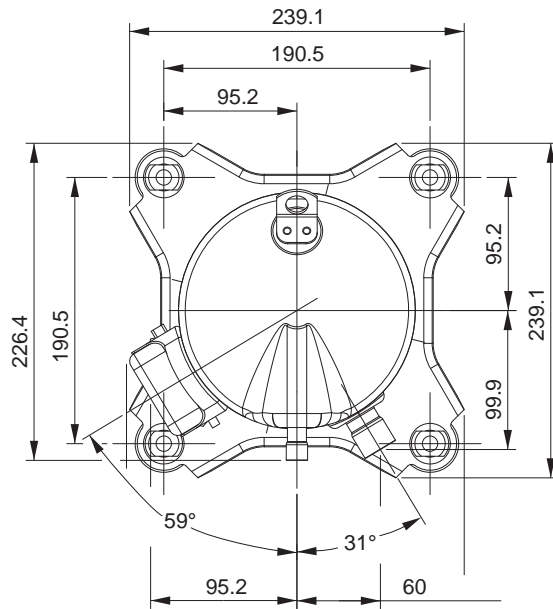
For Low Temp Application

Model	Electricity V/HZ	Phase	Displacement CC/Rev	Cooling Capacity (W)	Power in Watt (W)	COP (W/W)	Running Current (A)	Dimensions
R404A								
YSF60E1G-V100	380V/50HZ	3	115.5	6910	4369	1.58	9.5	P21
YSF65E1G-V100	380V/50HZ	3	123	7360	4660	1.58	10.0	P21
YSF75E1G-V100	380V/50HZ	3	145.4	8704	5440	1.60	10.8	P21
YSF85E1G-V100	380V/50HZ	3	167.2	10010	6256	1.60	11.9	P21
YSF90E1G-V100	380V/50HZ	3	189.1	11320	6988	1.62	12.9	P21
YSF100E1G-V100	380V/50HZ	3	197.1	11800	7284	1.62	13.3	P21
YSF125E1G-V100	380V/50HZ	3	243.9	14600	9125	1.60	17.1	P22
R22								
YSF60A1G-V100	380V/50HZ	3	115.5	6000	4170	1.44	9.2	P21
YSF65A1G-V100	380V/50HZ	3	123	6400	4450	1.44	9.6	P21
YSF75A1G-V100	380V/50HZ	3	145.4	7400	5070	1.46	10.4	P21
YSF85A1G-V100	380V/50HZ	3	167.2	8480	5800	1.46	11.2	P21
YSF90A1G-V100	380V/50HZ	3	189.1	9500	6420	1.48	12.1	P21
YSF100A1G-V100	380V/50HZ	3	197.1	10000	6760	1.48	12.6	P21
YSF125A1G-V100	380V/50HZ	3	243.9	12500	8445	1.48	16.0	P22

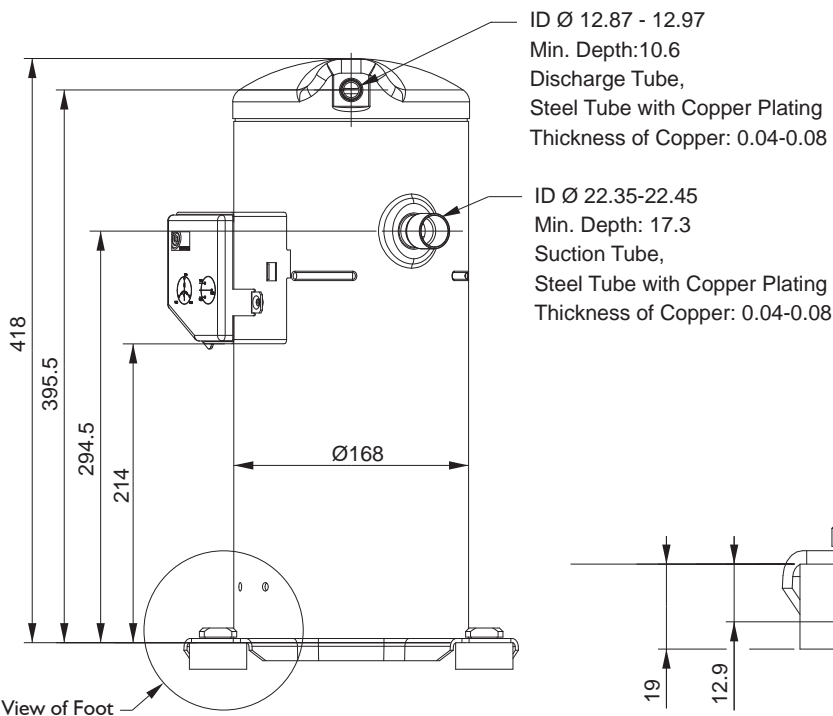
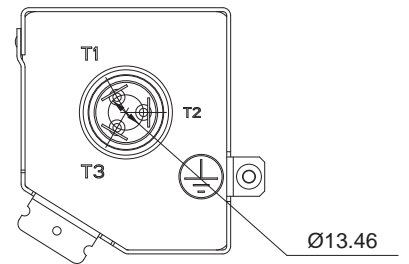
E.T. -31.6°C, C.T. 40.6°C, R.G. 4.4°C, No Subcooling



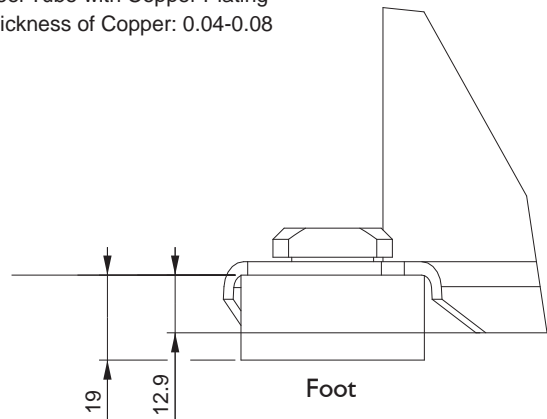
Product Dimensions



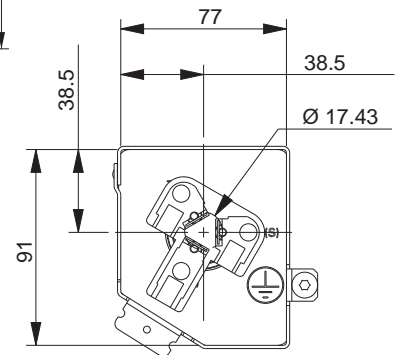
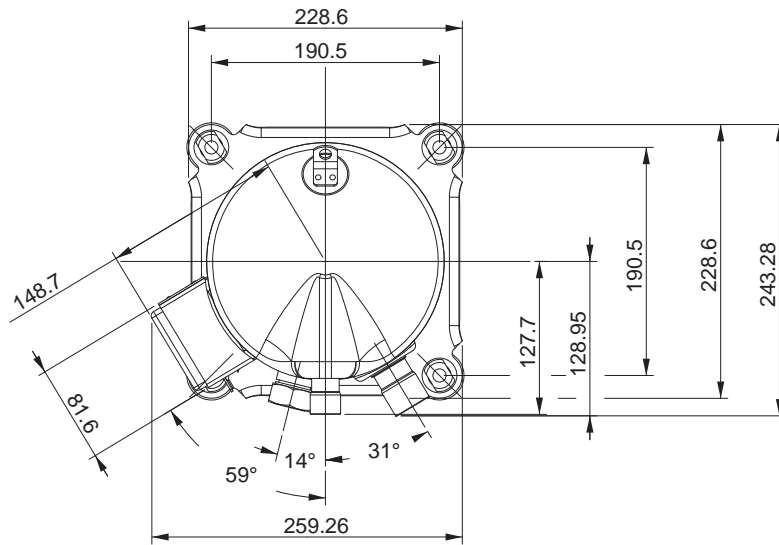
Wiring Diagram



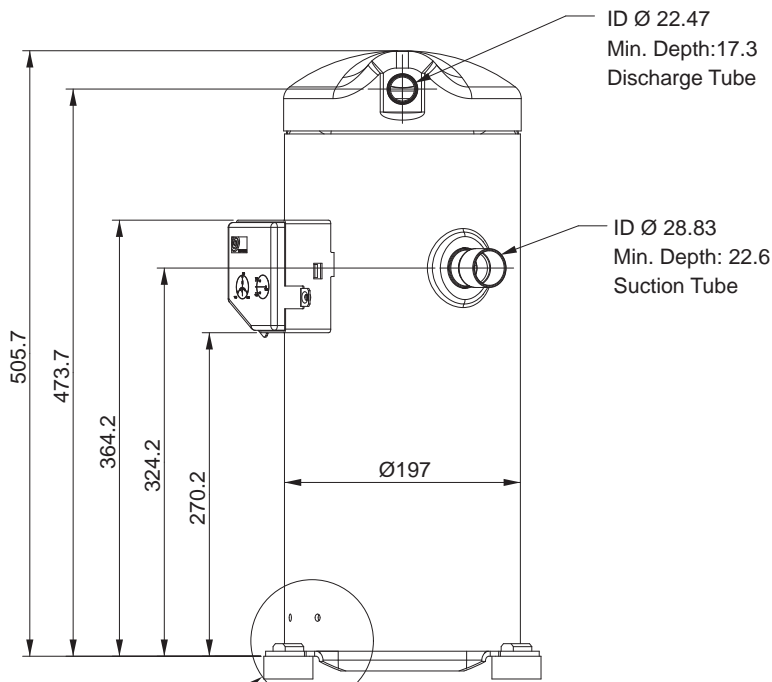
See Details in View of Foot



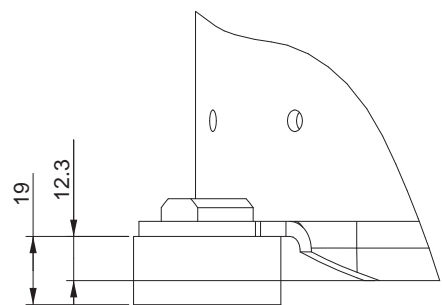
Product Dimensions



Wiring Diagram

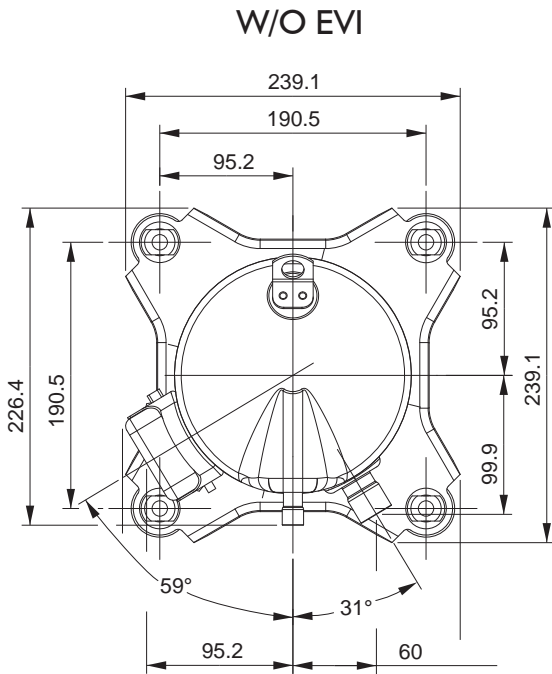


See Details in View of Foot

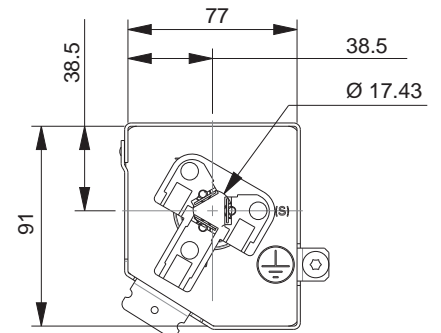
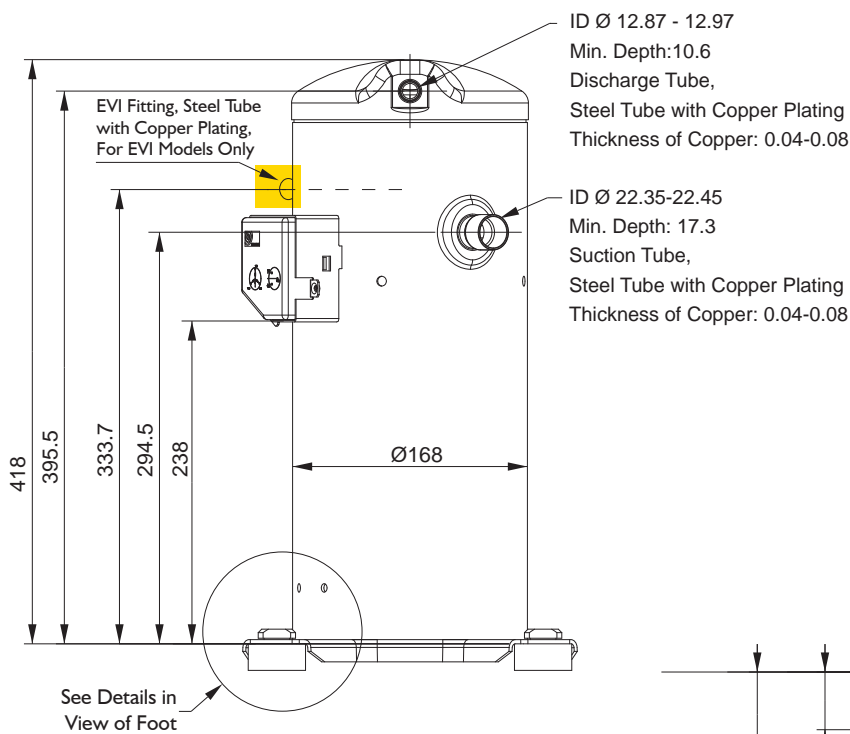
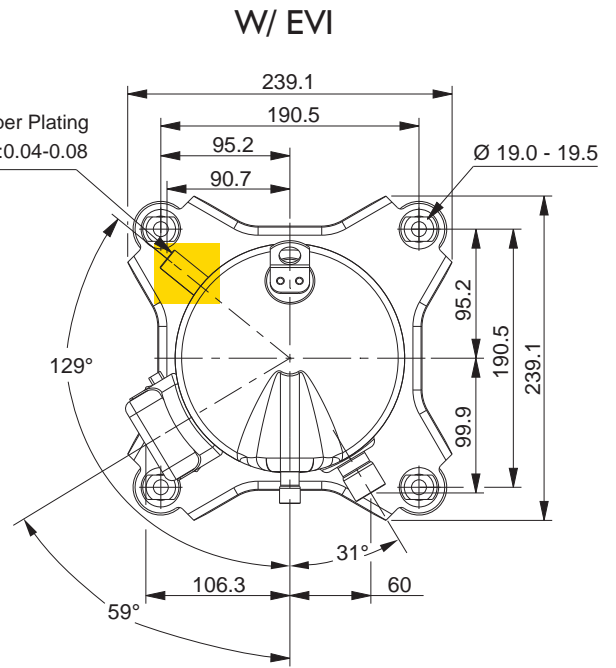


Foot

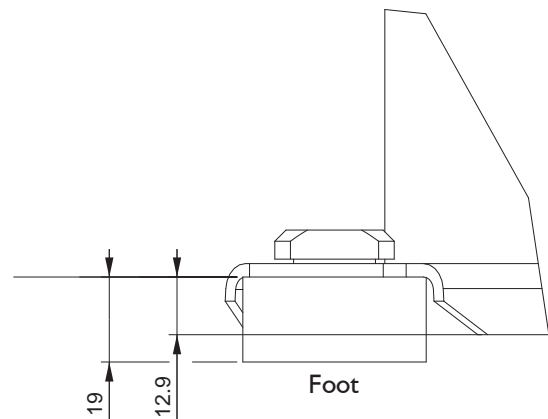
Product Dimensions



ID Ø 12.80 - 12.90
 Depth: 9.8-10.0
 EVI Fitting,
 Steel Tube with Copper Plating
 Thickness of Copper: 0.04-0.08



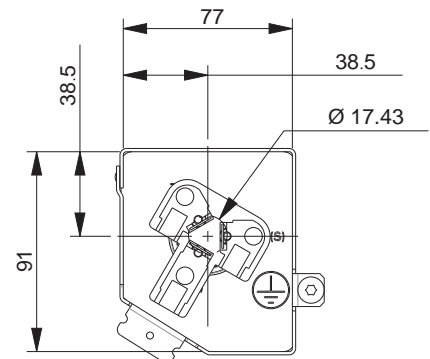
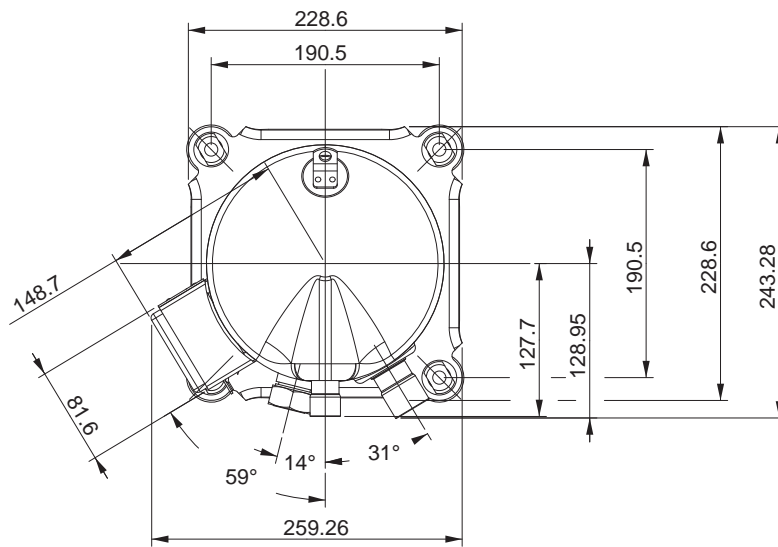
Wiring Diagram



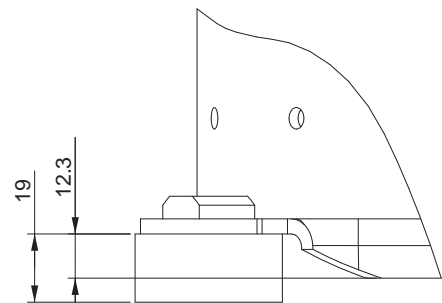
Foot

See Details in View of Foot

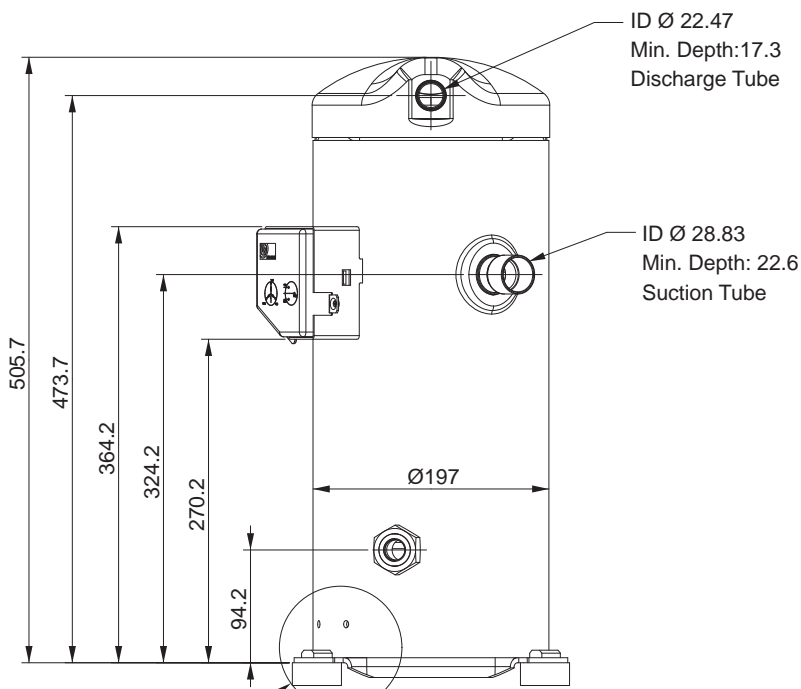
Product Dimensions



Wiring Diagram

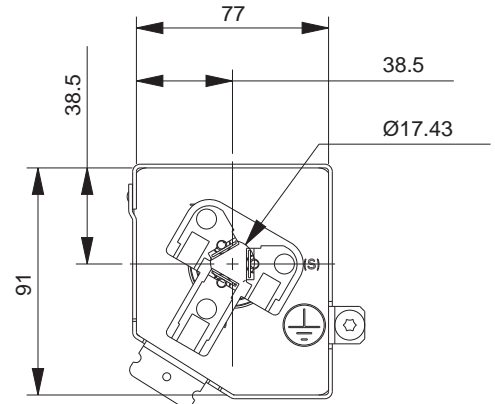
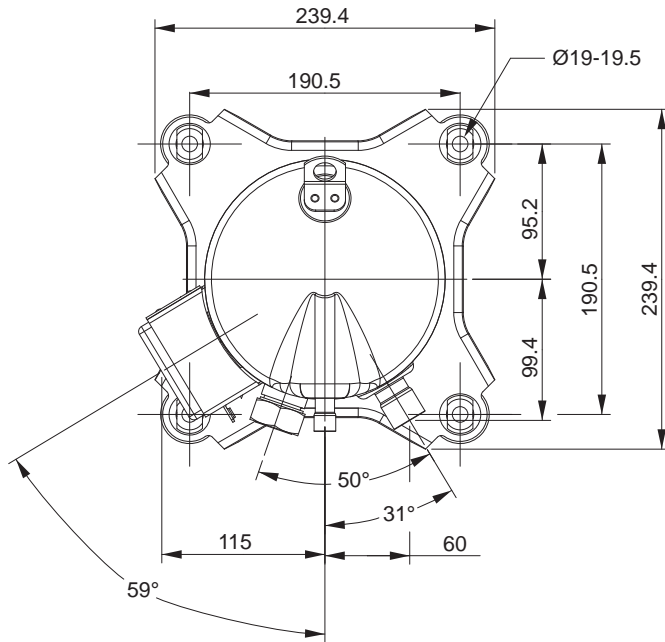


Foot

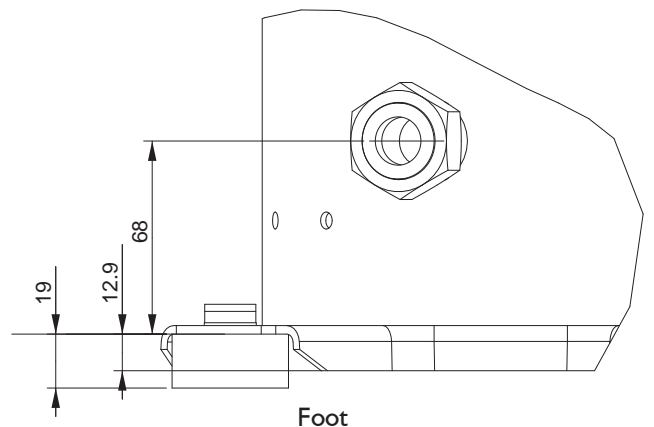
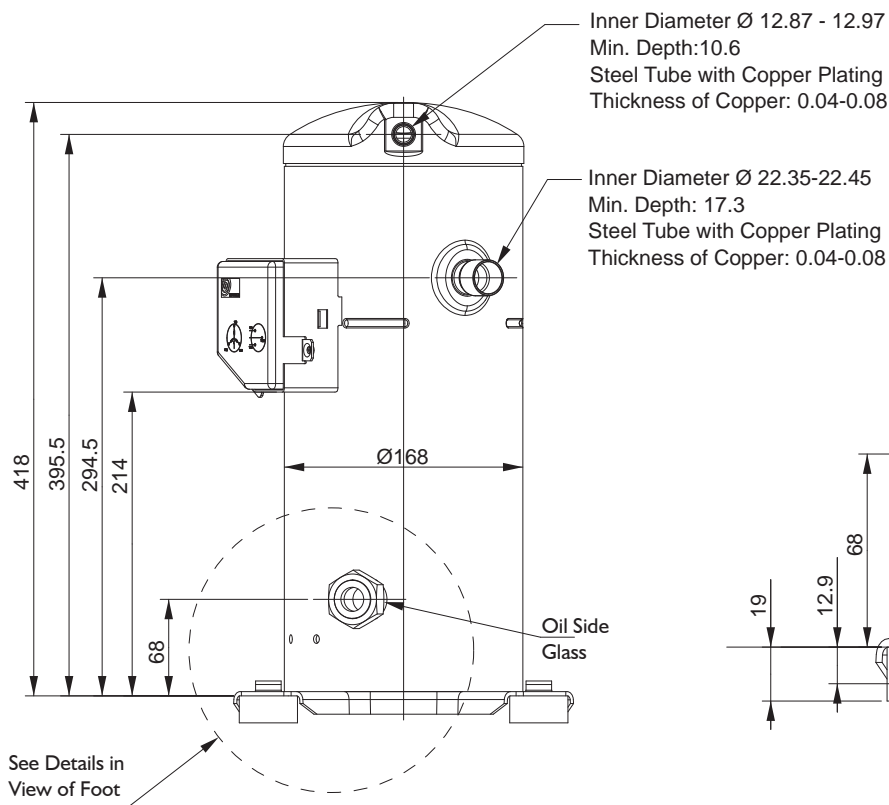


See Details in View of Foot

Product Dimensions

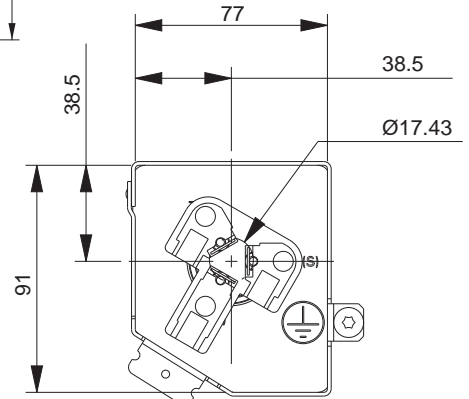
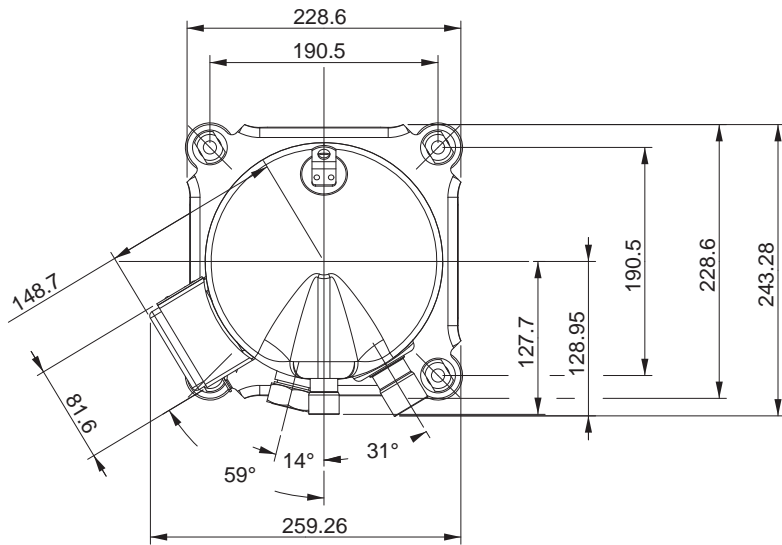


Wiring Diagram

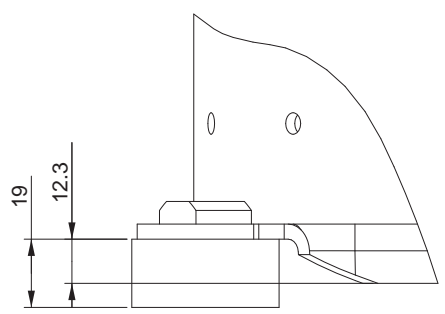


Foot

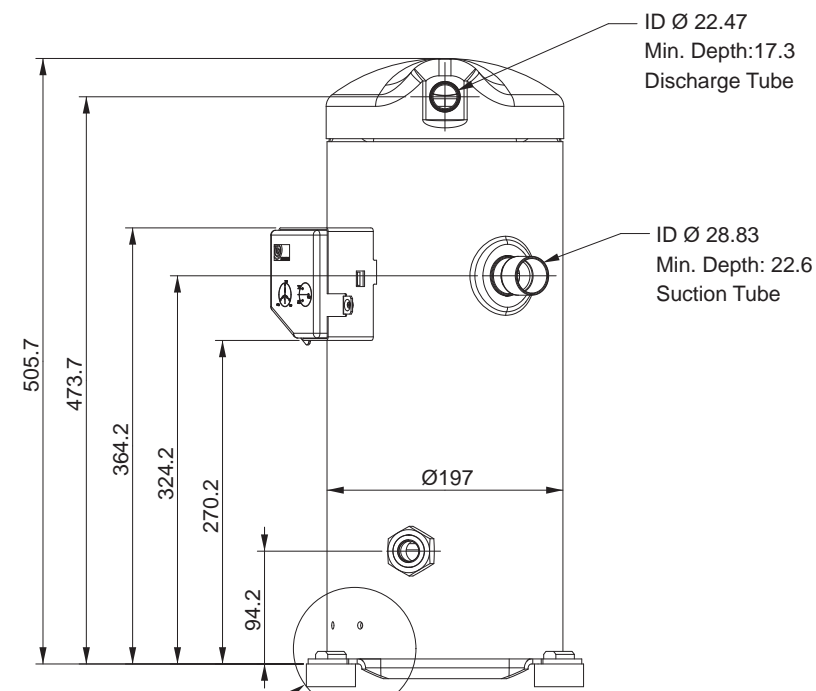
Product Dimensions



Wiring Diagram

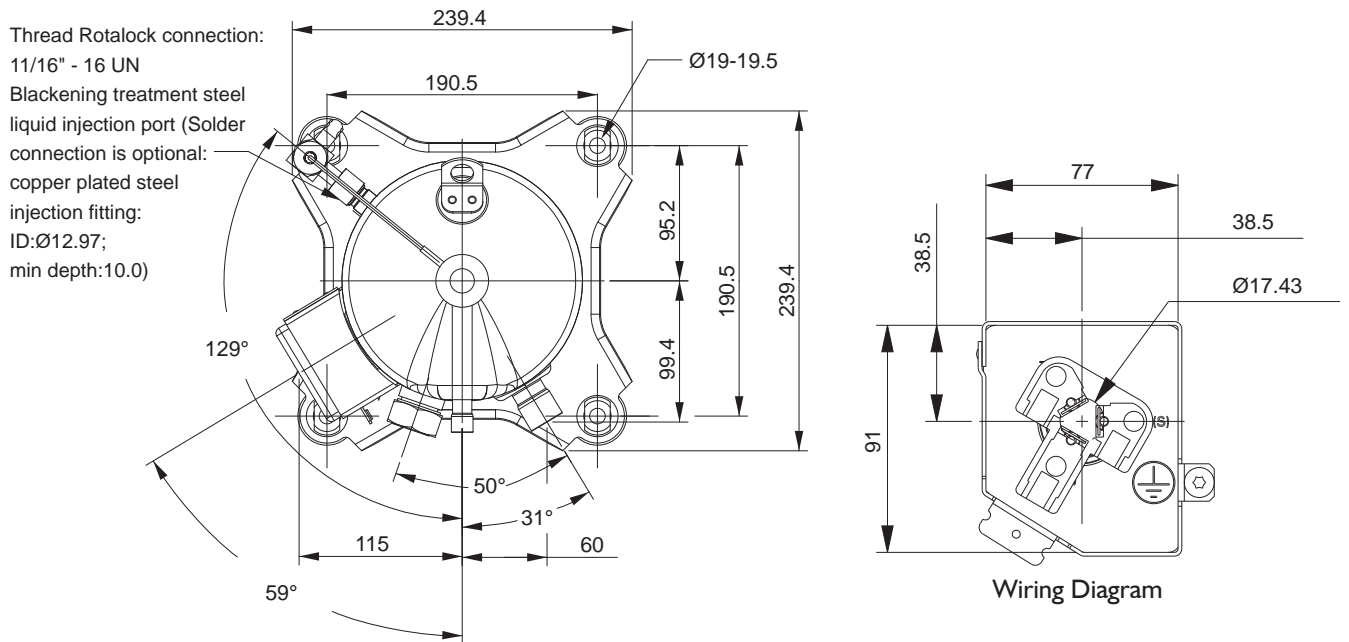


Foot

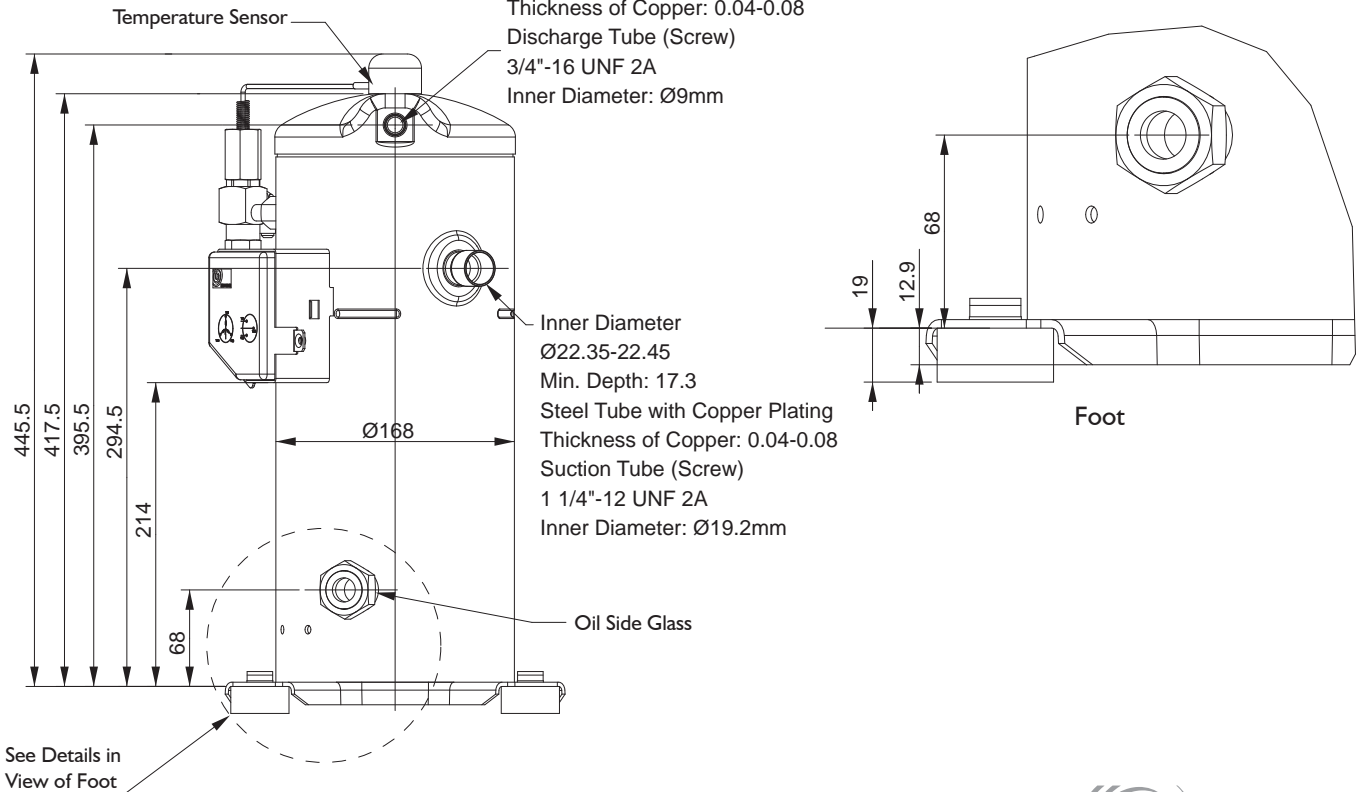


See Details in View of Foot

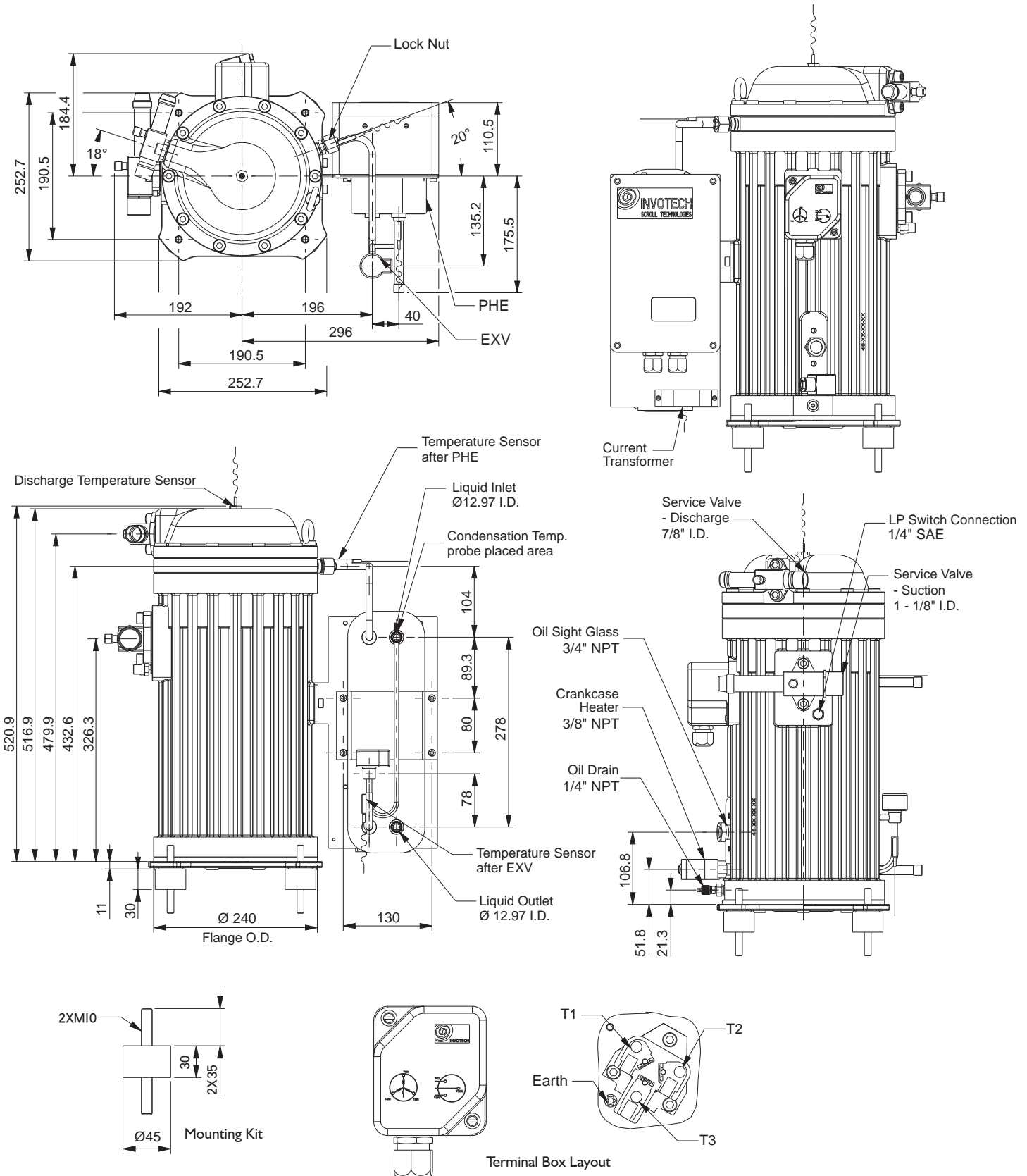
Product Dimensions



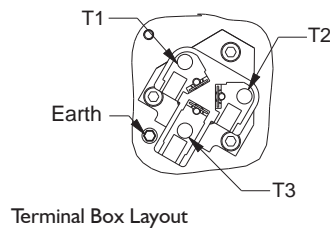
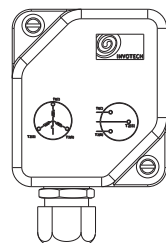
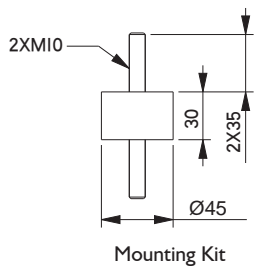
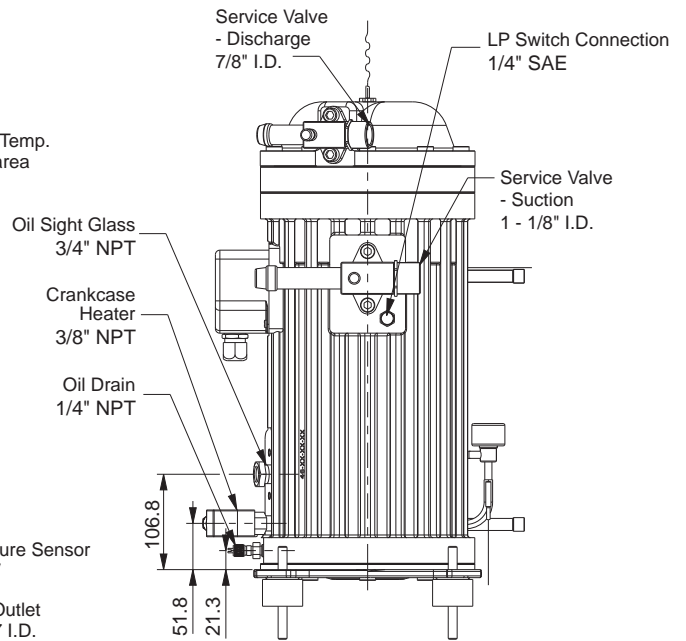
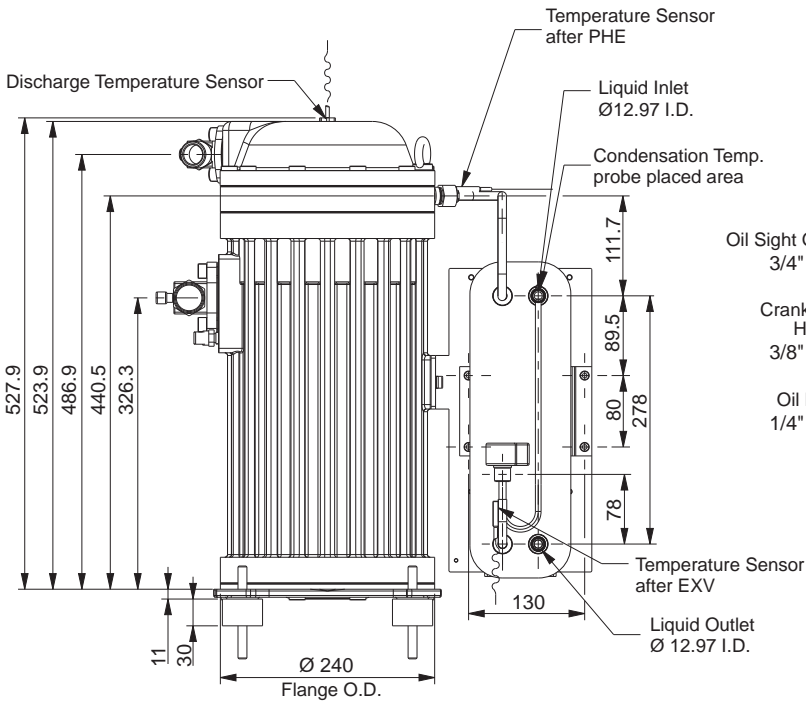
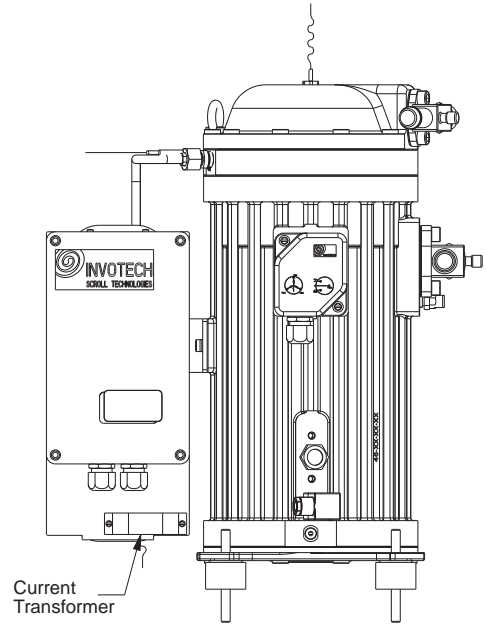
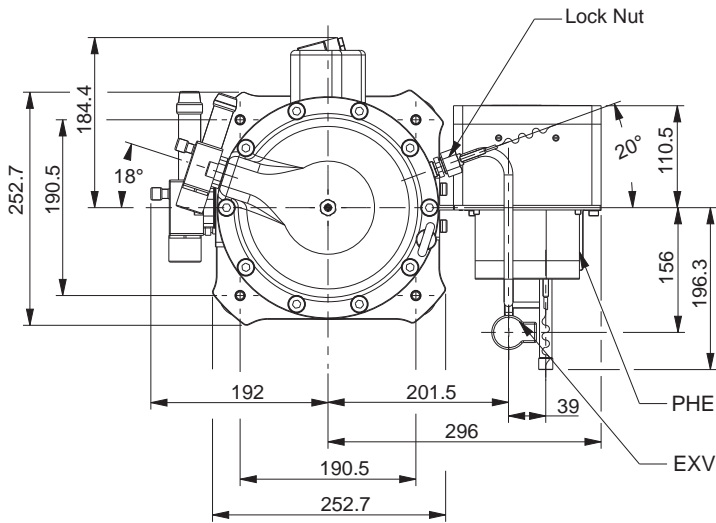
Inner Diameter Ø 12.87 - 12.97
 Min. Depth:10.6
 Steel Tube with Copper Plating
 Thickness of Copper: 0.04-0.08
 Discharge Tube (Screw)
 3/4"-16 UNF 2A
 Inner Diameter: Ø9mm



Product Dimensions

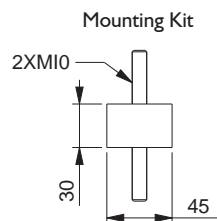
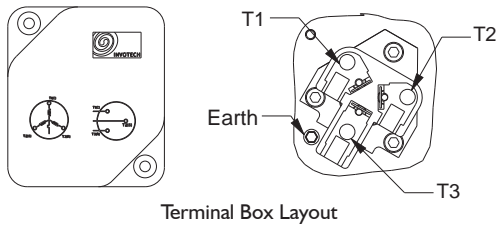
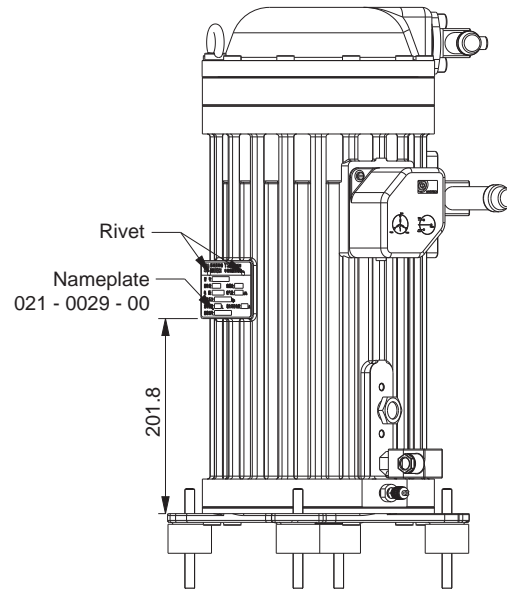
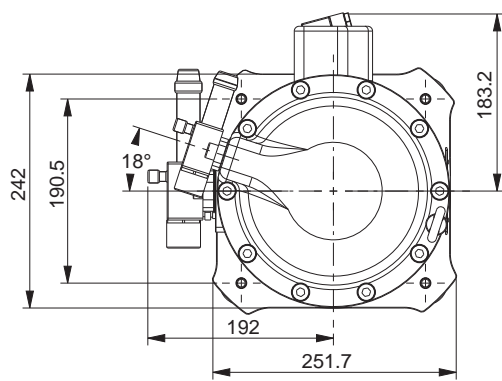
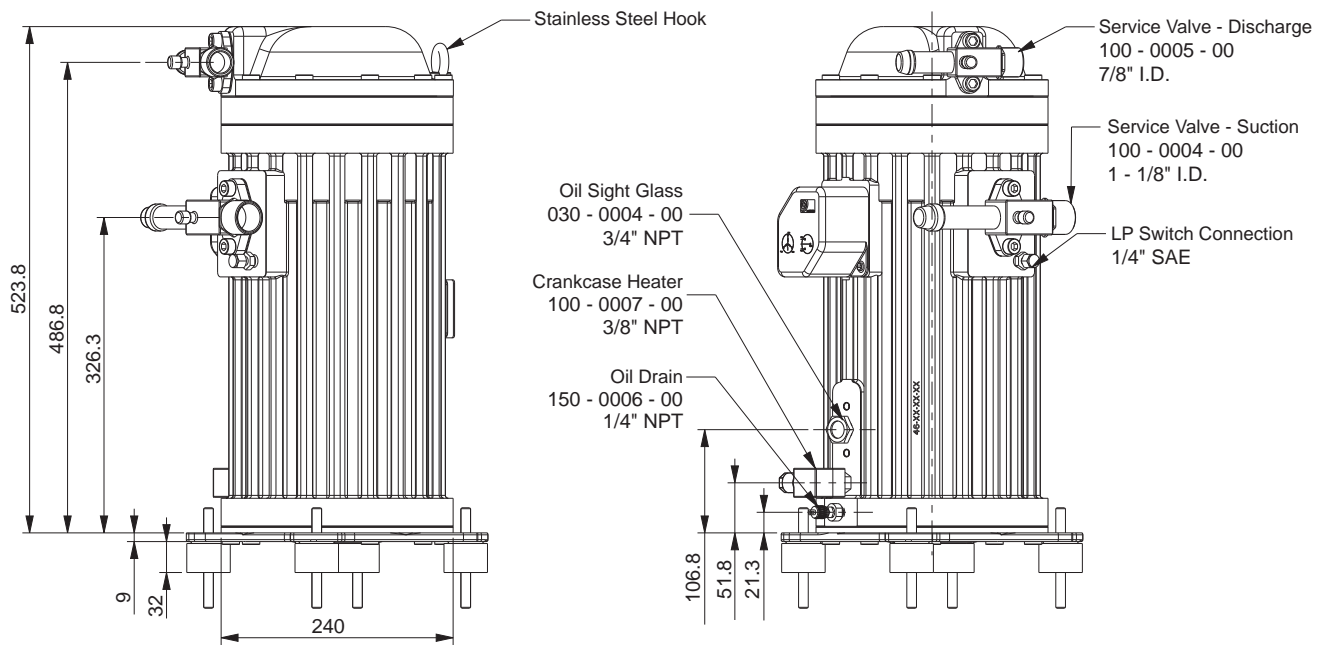


Product Dimensions



YSH/YSM Series

Product Dimensions



Quality Policy:

Continuous Improvement of Process Capabilities so to Meet and Exceed Customer Expectations



Invotech Scroll Technologies

No. 68, Dongnan Road, Changshu, Jiangsu, PRC.

TEL: +86 512 5290 5990

FAX: +86 512 5290 5996

Email: scroll@invotech.cn

www.invotech.cn

If any products that you need not been involved in this catalogue, pls contact our sales department.
All scroll compressor pictures on this Catalogue are for reference only and the order should be performed base on the real product.



XK06-015-01572