

# SC15CL LBP/MBP Compressor R404A/R507 220-240V 50Hz

Data Sheet (Replaces CF.54.C1.02)

## General

Compressor	<b>SC15CL</b>
Code number	104L2853

## Application

Application	LBP/MBP	
Evaporating temperature range	°C	-40 to -5
Voltage range	V/Hz	198 - 254 /50
Motor type	CSIR	
Max. ambient temperature	°C	38
Comp. cooling at ambient temp.	32°C	F <sub>2</sub>
	38°C	F <sub>2</sub>

## Design

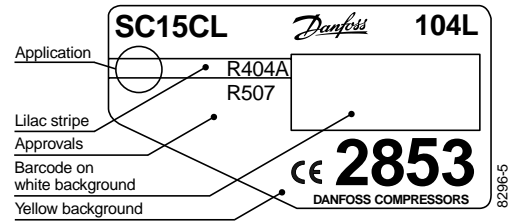
Displacement	cm <sup>3</sup>	15.28
Oil quantity	cm <sup>3</sup>	550
Maximum refrigerant charge	g	1300
Free gas vol. in compressor	cm <sup>3</sup>	1510
Weight without electrical equipment	kg	13.8

## Motor

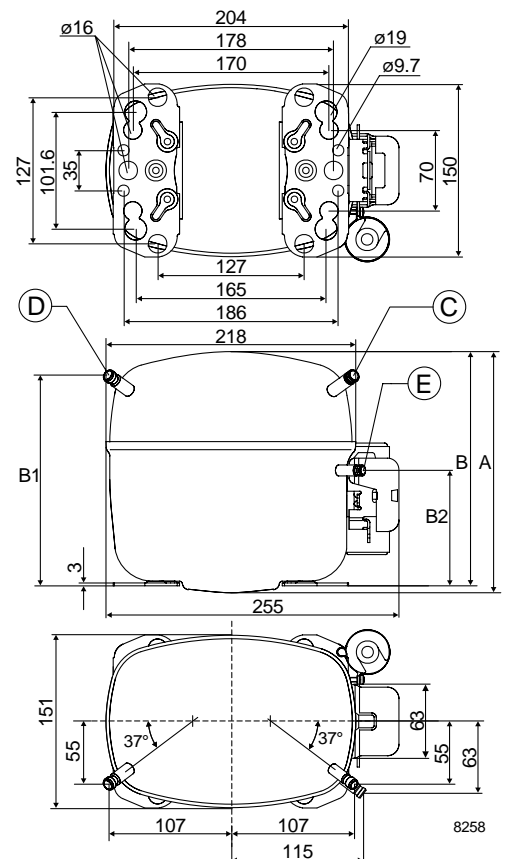
Motor size	watt	495
LRA (rated after 4 sec. UL984) HST	A	18.6
Cut-in current HST	A	18.6
Resistance, main and start winding (25°C)	Ω	3.7/14.1
Approvals	EN 60335-2-34	

## Dimensions

Height	mm	A	219
		B	213
		B1	193
		B2	110
Suction connector	location/I.D. mm	C	10.2 ±0.09
Process connector	location/I.D. mm	D	6.2 ±0.09
Discharge connector	location/I.D. mm	E	6.2 ±0.09
Compressors on a pallet	pcs.	80	



- S = Static cooling normally sufficient
- O = Oil cooling
- F<sub>1</sub> = Fan cooling 1.5 m/s  
(compressor compartment temperature equal to ambient temperature)
- F<sub>2</sub> = Fan cooling 3.0 m/s necessary



**Capacity (EN 12900/CECOMAF)**

**watt**

Comp. °C	-40	-35	-30	-25	-23.3	-20	-15	-10	-5
SC15CL	151	299	452	615	673	792	988	1208	1458

**Capacity (ASHRAE)**

**watt**

Comp. °C	-40	-35	-30	-25	-23.3	-20	-15	-10	-5
SC15CL	175	347	525	714	782	920	1149	1407	1699

**Power consumption**

**watt**

Comp. °C	-40	-35	-30	-25	-23.3	-20	-15	-10	-5
SC15CL	298	400	485	560	584	631	706	790	891

**Current consumption**

**A**

Comp. °C	-40	-35	-30	-25	-23.3	-20	-15	-10	-5
SC15CL	2.83	3.05	3.28	3.52	3.61	3.77	4.04	4.31	4.60

**COP (EN 12900/CECOMAF)**

**W/W**

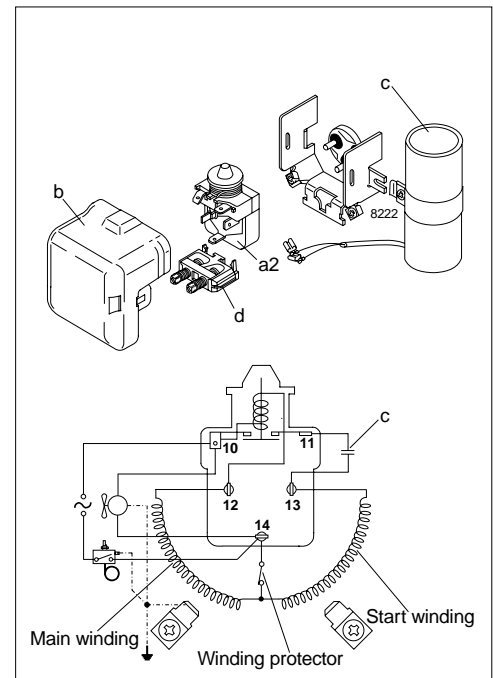
Comp. °C	-40	-35	-30	-25	-23.3	-20	-15	-10	-5
SC15CL	0.51	0.75	0.93	1.10	1.15	1.25	1.40	1.53	1.64

**COP (ASHRAE)**

**W/W**

Comp. °C	-40	-35	-30	-25	-23.3	-20	-15	-10	-5
SC15CL	0.59	0.87	1.08	1.27	1.34	1.46	1.63	1.78	1.91

Test conditions	EN 12900/CECOMAF	ASHRAE
Condensing temperature	45°C	45°C
Ambient and suction gas temp.	32°C	32°C
Liquid temperature	45°C	32°C
Fan cooling F <sub>2</sub> , 220V 50Hz		



**Accessories**

Devices	Fig.	SC15CL
Starting relay	a2	117U6019
Cover	b	103N2009
Starting capacitor 80 µF	c	117U5017
Cord relief	d	103N1004
Mounting accessories		
Bolt joint for one compressor		118-1917
Bolt joint in quantities		118-1918
Snap-on in quantities		118-1919