

# T2 Selection and Installation Guide



## 1) Select valve body and orifice size

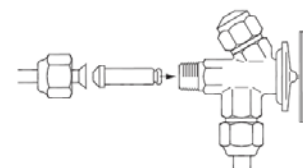
T2 type expansion valves are designed for flare connections. To make a functioning valve, pair the appropriate valve body and orifice using the charts below.

**IF THE EXACT SYSTEM CAPACITY CANNOT BE FOUND, USE THE NEXT LARGER ORIFICE.**

## 2) Assemble the orifice and valve body and install into system Orifice and System Installation

- Slide the orifice into the valve body and secure using liquid line flare nut.
- Attach evaporator inlet or distributor assembly to valve outlet flare nut.

Tighten both flare nuts to 26 - 33 lbs.

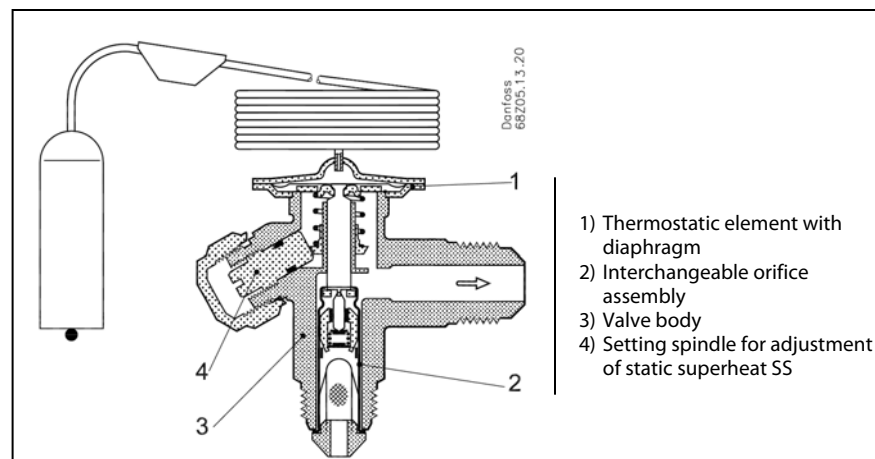


### Torque Requirements

26-33 ft-lb  
(35-45Nm)

### Superheat Adjustment

- Remove the cap.
- Make superheat adjustments ¼ turn at a time (1 turn=7°F). Turning clockwise increases superheat. Turning counter-clockwise decreases superheat.
- Reinstall the cap.



R22			Evap. Temperature (°F)								
Valve Body <sup>1</sup>	Orifice Size	Code Number	45	35	25	0	-10	-20	-30	-40	
			Rated Capacity in Tons (TR) <sup>2</sup>								
TX 2 068Z3206	TEX 2 068Z3209	0x	068-2002	1/10 1/8	1/10 1/8	1/10 1/8	1/10 1/8	1/10 1/8	1/10 1/8	1/10 1/8	
		00	068-2003	1/6 1/4	1/6 1/4	1/6 1/4	1/6 1/4	1/6 1/4	1/6 1/4	1/6 1/4	
		01	068-2010	1/2 3/4	1/2 3/4	1/2 3/4	1/2	1/2	1/2	1/4	1/4
		02	068-2015	1	1	1	3/4 1 1/2	3/4	3/4	1/2	1/2
		03	068-2006	2	2	2	1 1 1/2	1	1	3/4 1	3/4 1
		04	068-2007	3	3	3	2	2	2	1 1/2	1 1/2
		05	068-2008	4	4	3 1/2	3	2 1/2	2 1/2	2	2
06	068-2009	5	5	4 1/2	3 1/2	3	3	2 1/2	2 1/2		

R404A / R507			Evap. Temperature (°F)								
Valve Body <sup>1</sup>	Orifice Size	Code Number	45	35	25	0	-10	-20	-30	-40	
			Rated Capacity in Tons (TR) <sup>2</sup>								
TS2 068Z3400	TES 2 068Z3403	0x	068-2002	1/10 1/8	1/10 1/8	1/10 1/8	1/10 1/8	1/10 1/8	1/10 1/8	1/10 1/8	
		00	068-2003	1/6 1/4	1/6 1/4	1/6 1/4	1/6 1/4	1/6 1/4	1/6 1/4	1/6 1/4	
		01	068-2010	1/2	1/4 1/2	1/4	1/4	1/4	1/4	1/4	1/6
		02	068-2015	3/4	1/2	1/2	1/2	1/4	1/4	1/4	1/4
		03	068-2006	1	3/4 1	3/4 1	3/4	1/2 3/4	1/2	1/2	1/2
		04	068-2007	2	2	1 1/2	1	1	3/4 1	3/4	3/4
		05	068-2008	2 1/2	2	2	1 1/2	1 1/2	1	1	1
06	068-2009	3	3	2 1/2	2	1 1/2	1 1/2	1	1		

R134a			Evap. Temperature (°F)								
Valve Body <sup>1</sup>	Orifice Size	Code Number	45	35	25	0	-10	-20	-30	-40	
			Rated Capacity in Tons (TR) <sup>2</sup>								
TN 2 068Z3346	TEN 2 068Z3348	0x	068-2002	1/10 1/8	1/10 1/8	1/10 1/8	1/10	1/10	1/10	1/10	
		00	068-2003	1/6 1/4	1/6	1/6	1/6 1/8	1/6 1/8	1/6 1/8	1/6 1/8	
		01	068-2010	1/2	1/4 1/2	1/4	1/4	1/4	1/4	1/6	1/6
		02	068-2015	3/4	1/2	1/2	1/2	1/4	1/4	1/4	1/4
		03	068-2006	1	3/4 1	3/4 1	3/4	1/2 3/4	1/2	1/2	1/2
		04	068-2007	2	1 1/2	1 1/2	1	1	3/4	3/4	3/4
		05	068-2008	2 1/2	2	2	1 1/2	1	1	1	1
06	068-2009	3	2 1/2	2 1/2	2	1 1/2	1 1/2	1	1		

<sup>1</sup> Valve Body - Internal: 3/8" X 1/2" ODF - External: 3/8" X 1/2" w/ 1/4" ODF Equalizer

<sup>2</sup> Capacities are based on a condensing temperature of 90 °F and a vapor free liquid temperature of 80 °F ahead of the expansion valve.