

Φ450

Φ450

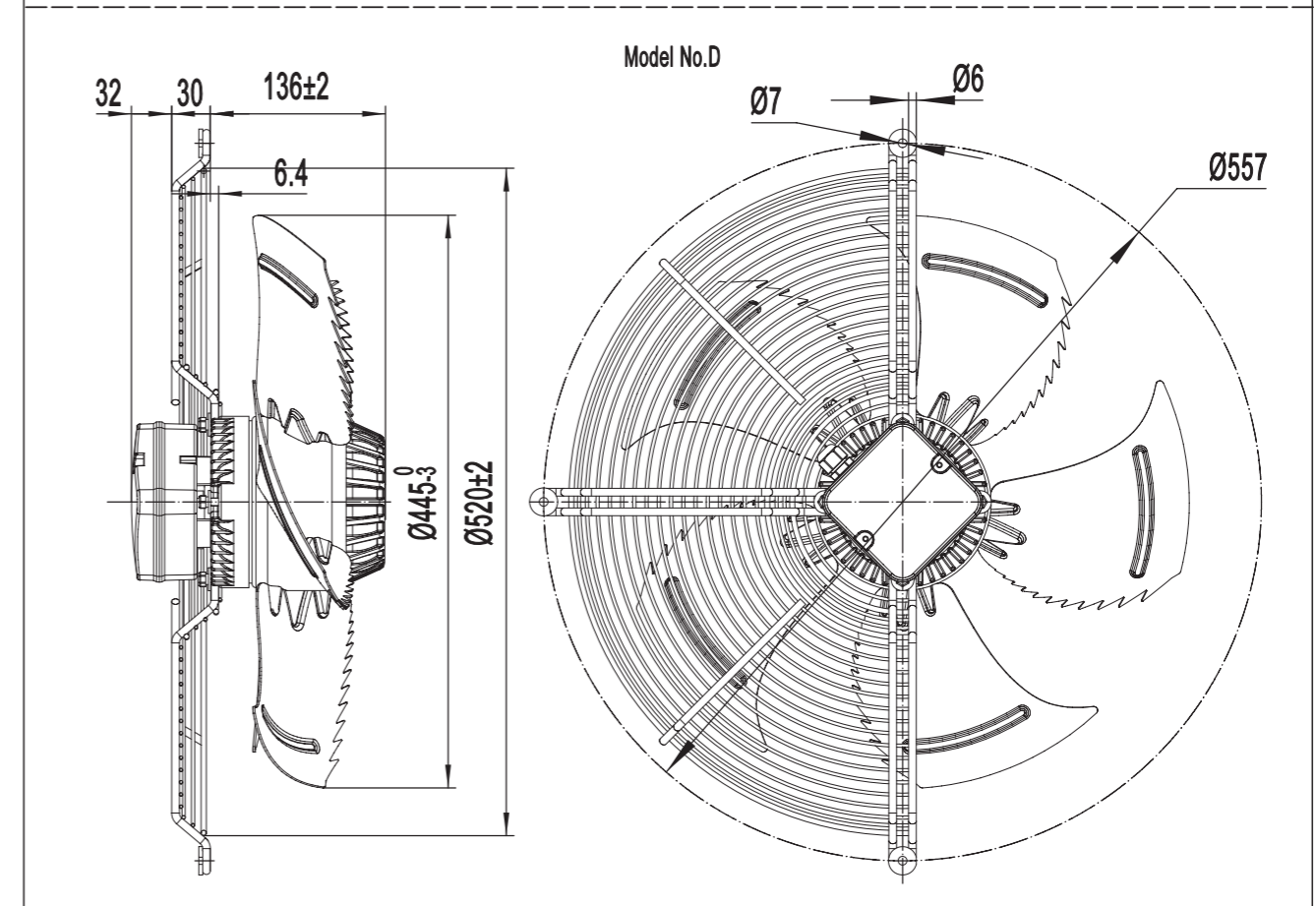
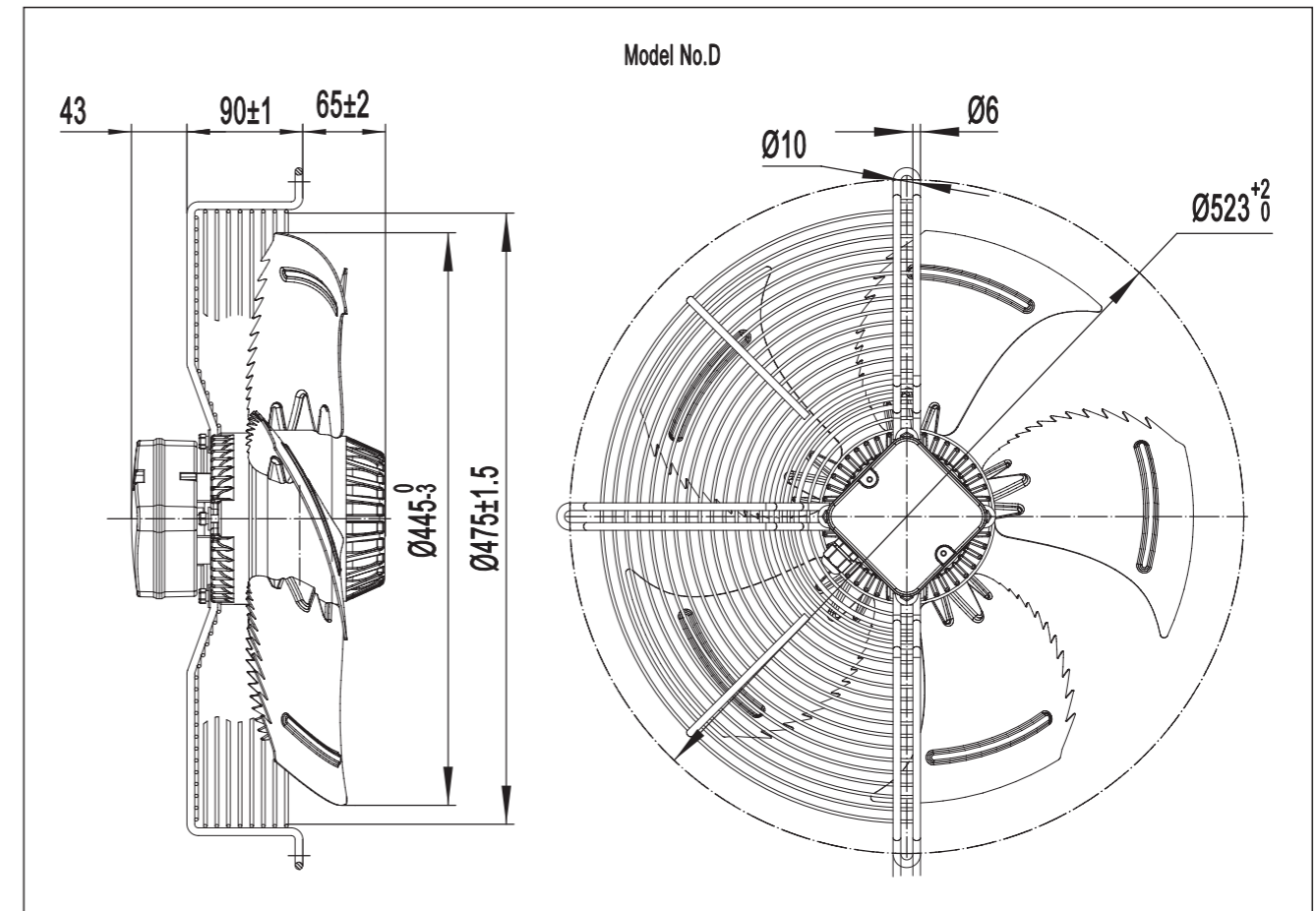
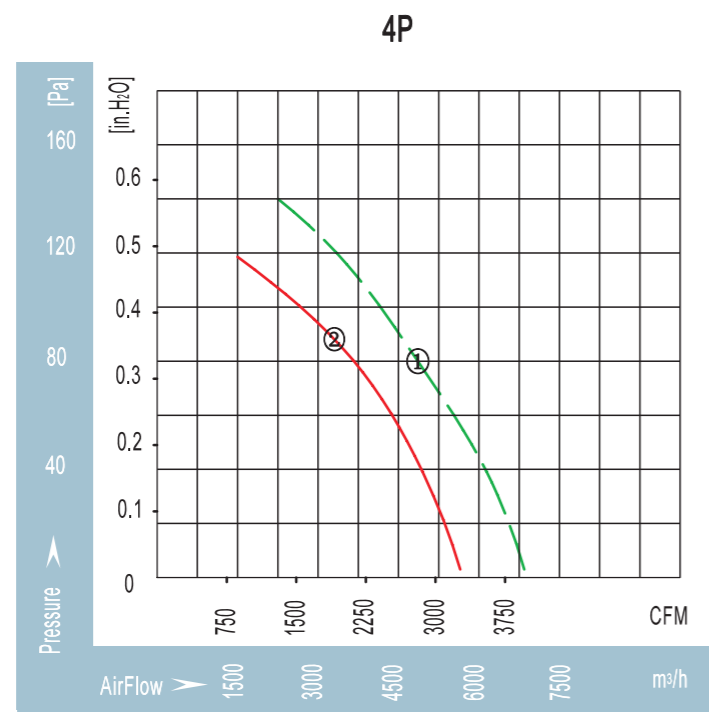


Ø450-5 137系列轴流风机
Ø450-5 137Series Axial Fan

材 质：转子铸铝
Material: Rotor: Aluminum Casting
保护等级：IP54
Protection Class: IP54
绝缘等级：F
Insulation Class: F
轴 承：免维护滚珠球轴承
Bearing: Maintenance free ball bearing

ErP2015
EXCEEDS THE NORM

IS B D型网罩	电压 Voltage	频率 Frequency	电流 Current	输入功率 Input Power	转速 Speed	电容 Capacitor	风量 Air Flow	噪音 Noise	曲线 Curve No	运行温度 Operating Temperature	认证 Approvals
Model No. D	(V)	(Hz)	(A)	(W)	(RPM)	(μ F)	(m^3/h / CFM)	(dB(A))	(#)	(Min/Max°C)	
YWF.A4S-450S-5DIAS0	220/230	50	1.90	430	1350	16	6800/4012	65	①	-30/+60	CCC,CE,Rohs
YWF.A4T-450S-5DIAS0	380/400	50	1.00	430	1350	/	6800/4012	65	①	-30/+60	CCC,CE,Rohs
YWF.A4S-450S-5DIAR0	220/230	50	1.80	400	1350	10	5500/3245	60	②	-30/+60	CCC,CE,Rohs




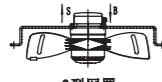
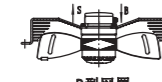
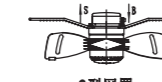
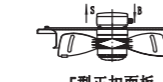

External Rotor Motor Powered Axial Fan
External Rotor Motor Powered Backward Centrifugal Fan
External Rotor Motor Powered Forward Centrifugal Fan
External Rotor Motor Powered Housing Centrifugal Fan
Duct Fan

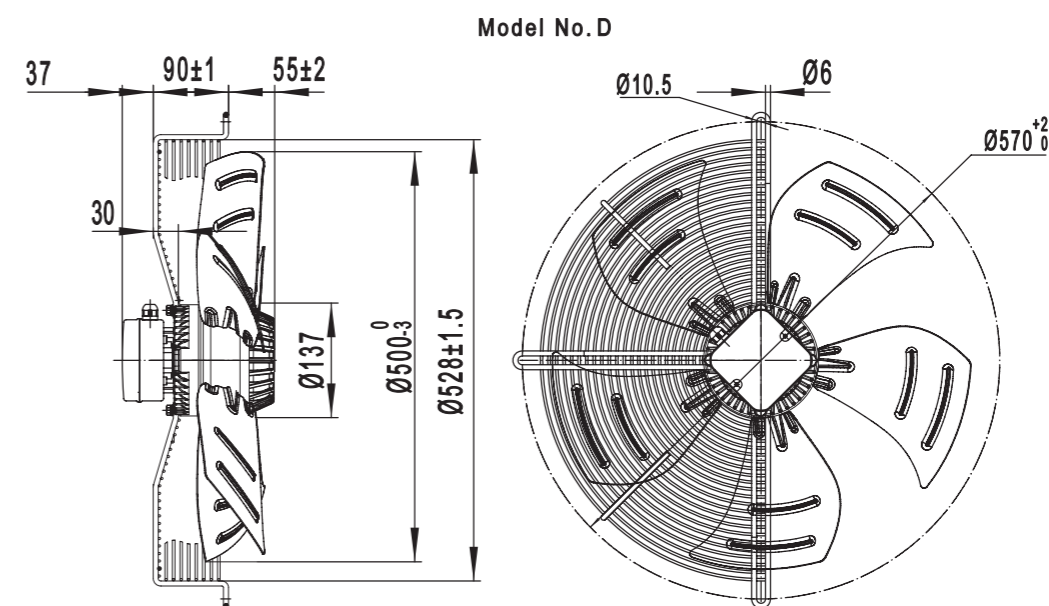
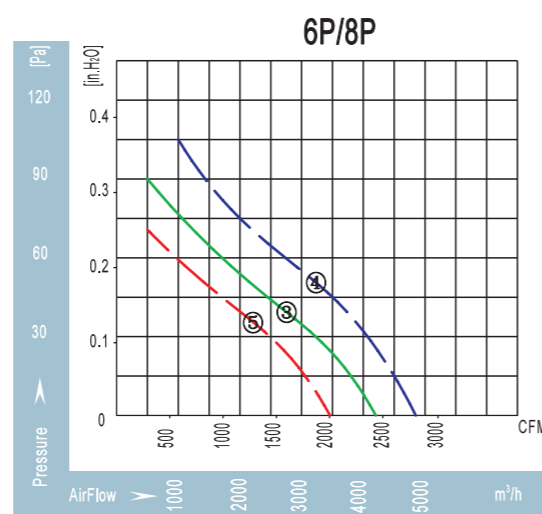
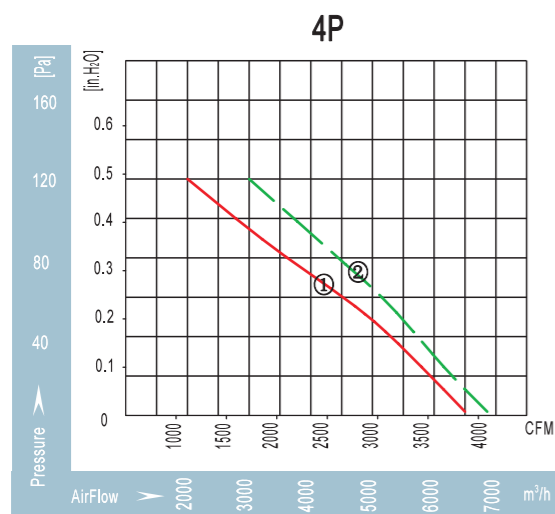
外转子轴流风机
外转子后倾离心风机
外转子前倾离心风机
外转子蜗壳风机
管道风机



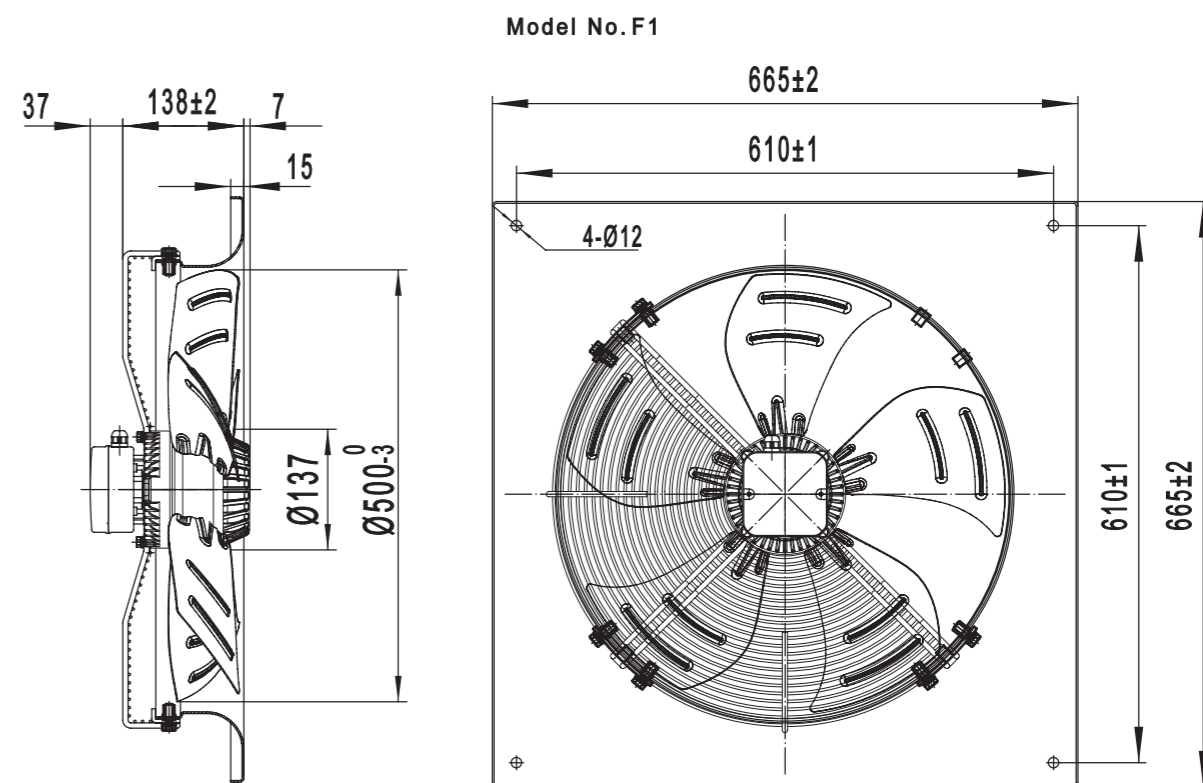
Ø500-5 系列轴流风机
Ø500-5 Series Axial Fan

材 质：转子铸铝
Material: Rotor: Aluminum Casting
保护等级：IP54
Protection Class: IP54
绝缘等级：F
Insulation Class: F
轴 承：免维护滚珠球轴承
Bearing: Maintenance free ball bearing

 B型网罩	 C型网罩	 D型网罩	 G型网罩	 F型正扣面板	 F型反扣面板
Model No. B	Model No. C	Model No. D	Model No. G	Model No. F0	Model No. F1
YWF.A4S-500S-5BIA00	YWF.A4S-500S-5CIA00	YWF.A4S-500S-5DIA00	YWF.A4S-500S-5GIA00	YWF.A4S-500S-5FIA00	YWF.A4S-500S-5FIA01
YWF.A4T-500S-5BIA00	YWF.A4T-500S-5CIA00	YWF.A4T-500S-5DIA00	YWF.A4T-500S-5GIA00	YWF.A4T-500S-5FIA00	YWF.A4T-500S-5FIA01
YWF.A6S-500S-5BIA00	YWF.A6S-500S-5CIA00	YWF.A6S-500S-5DIA00	YWF.A6S-500S-5GIA00	YWF.A6S-500S-5FIA00	YWF.A6S-500S-5FIA01
YWF.A6T-500S-5BIA00	YWF.A6T-500S-5CIA00	YWF.A6T-500S-5DIA00	YWF.A6T-500S-5GIA00	YWF.A6T-500S-5FIA00	YWF.A6T-500S-5FIA01
YWF.A8T-500S-5BIA00	YWF.A8T-500S-5CIA00	YWF.A8T-500S-5DIA00	YWF.A8T-500S-5GIA00	YWF.A8T-500S-5FIA00	YWF.A8T-500S-5FIA01

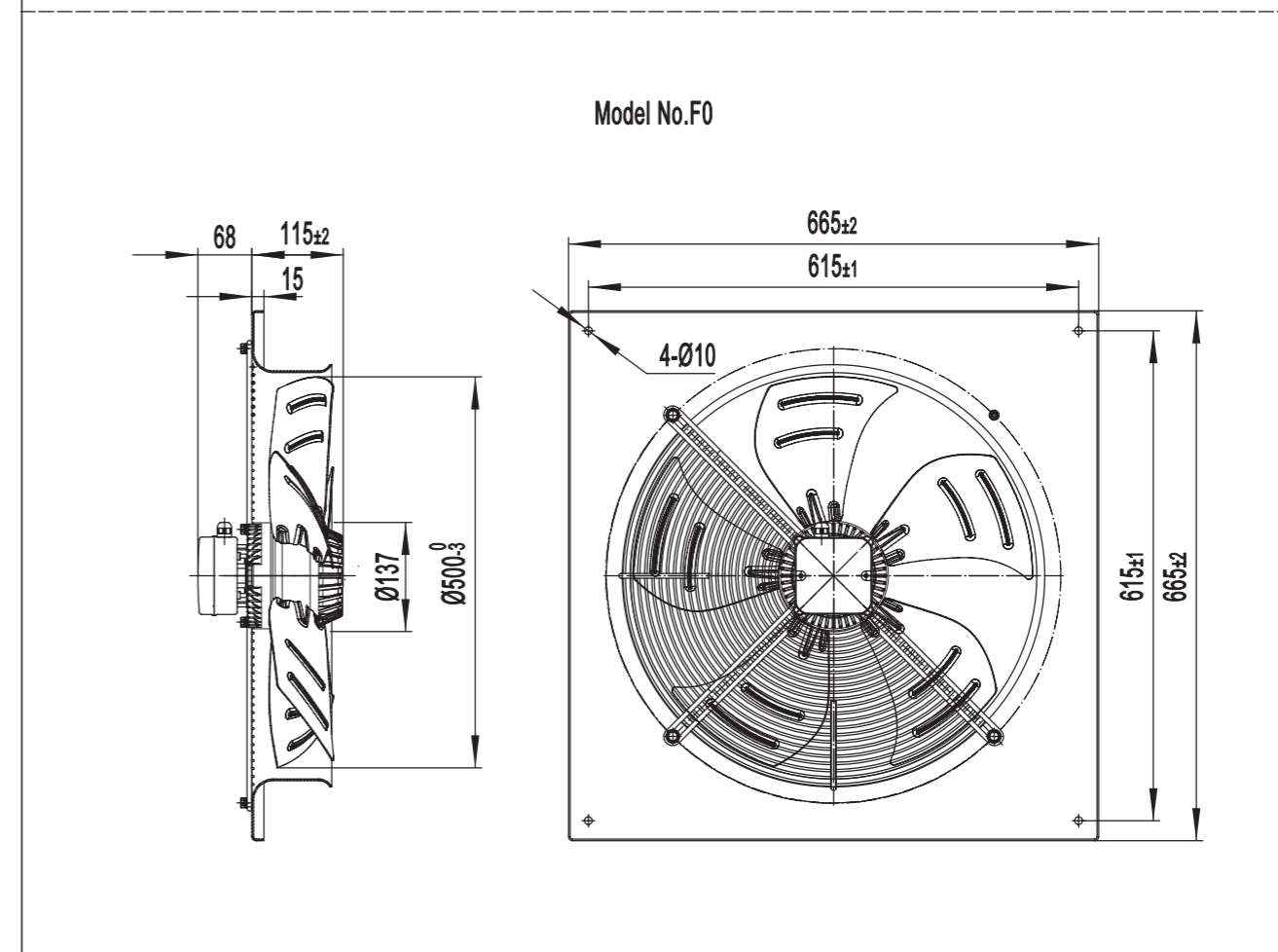
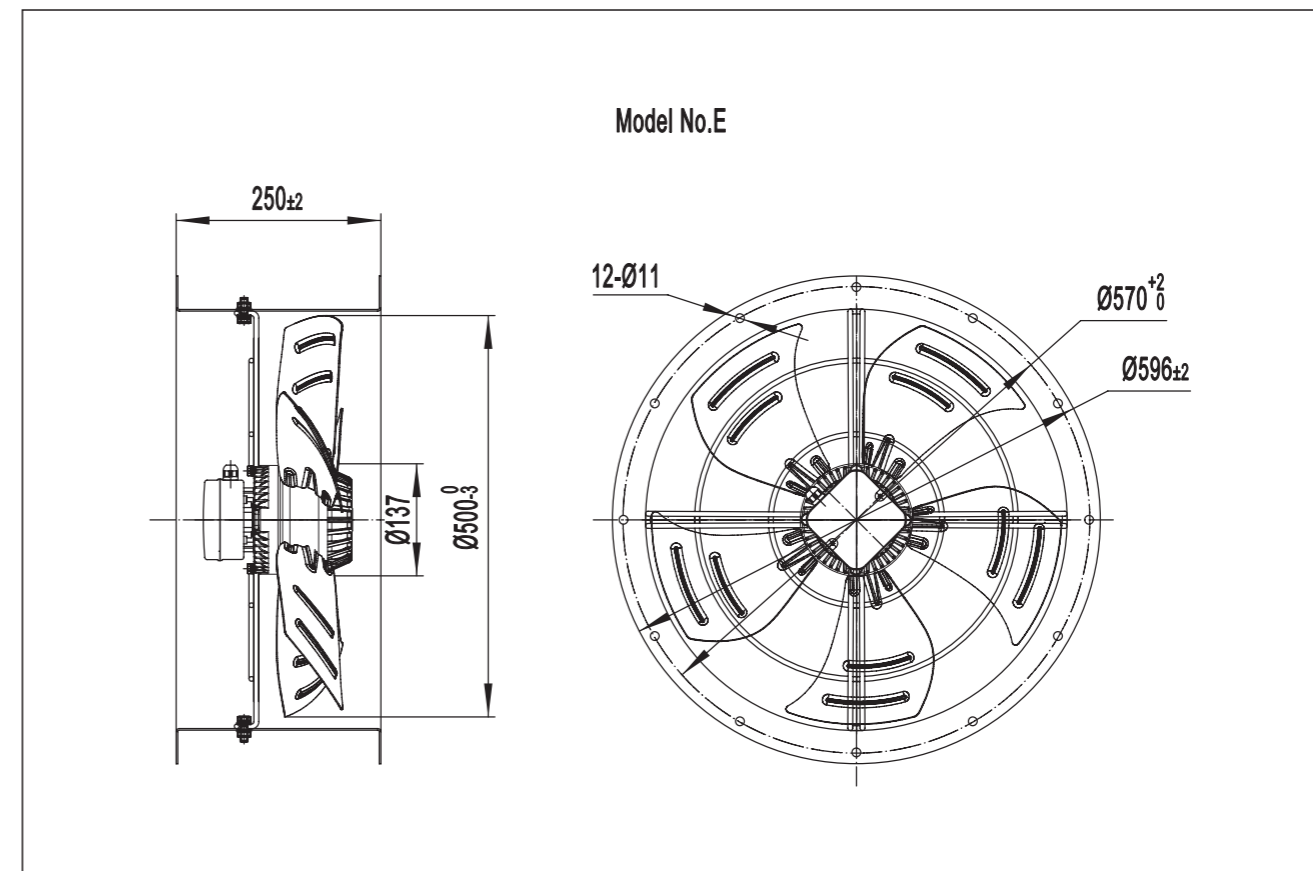
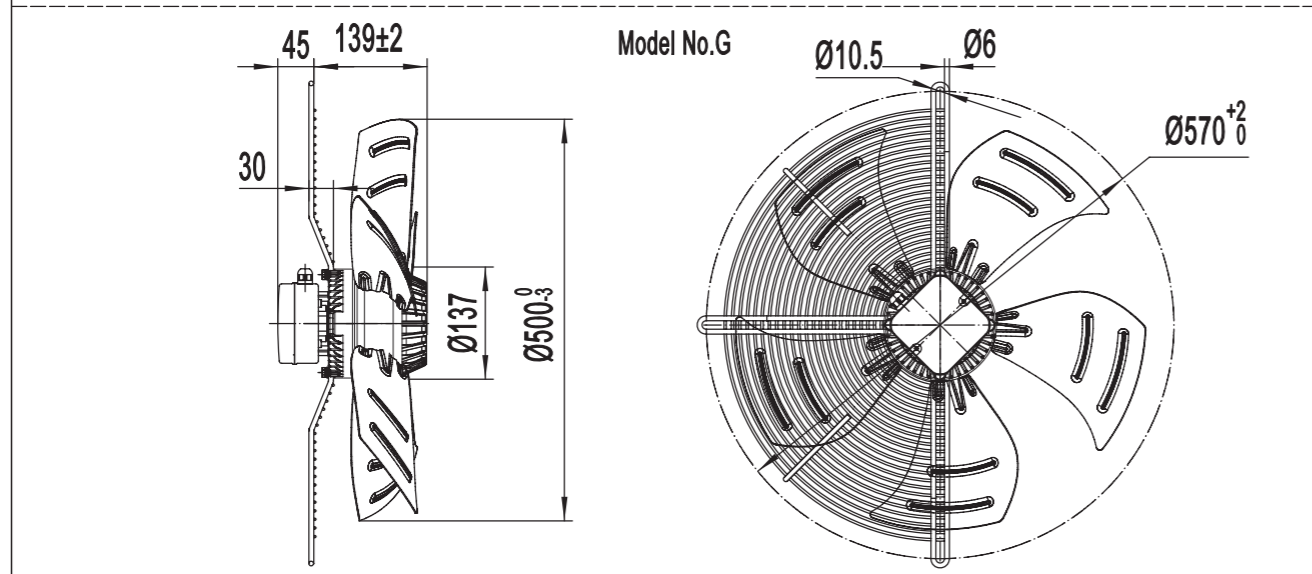
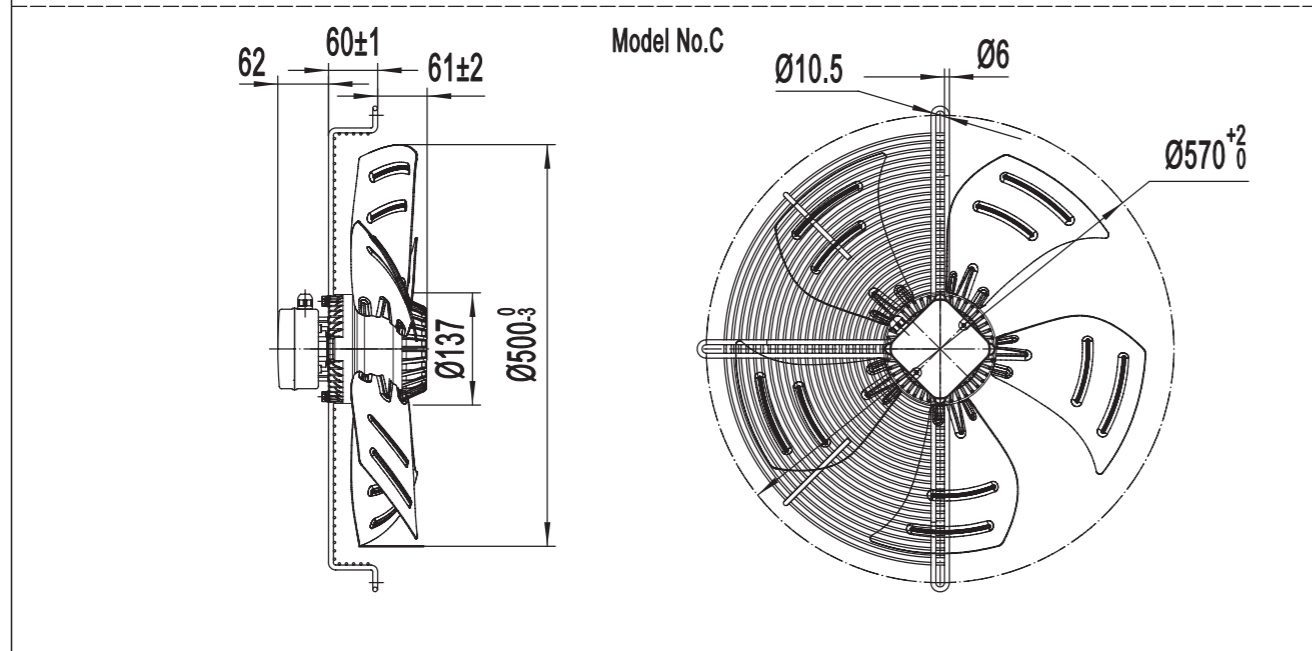
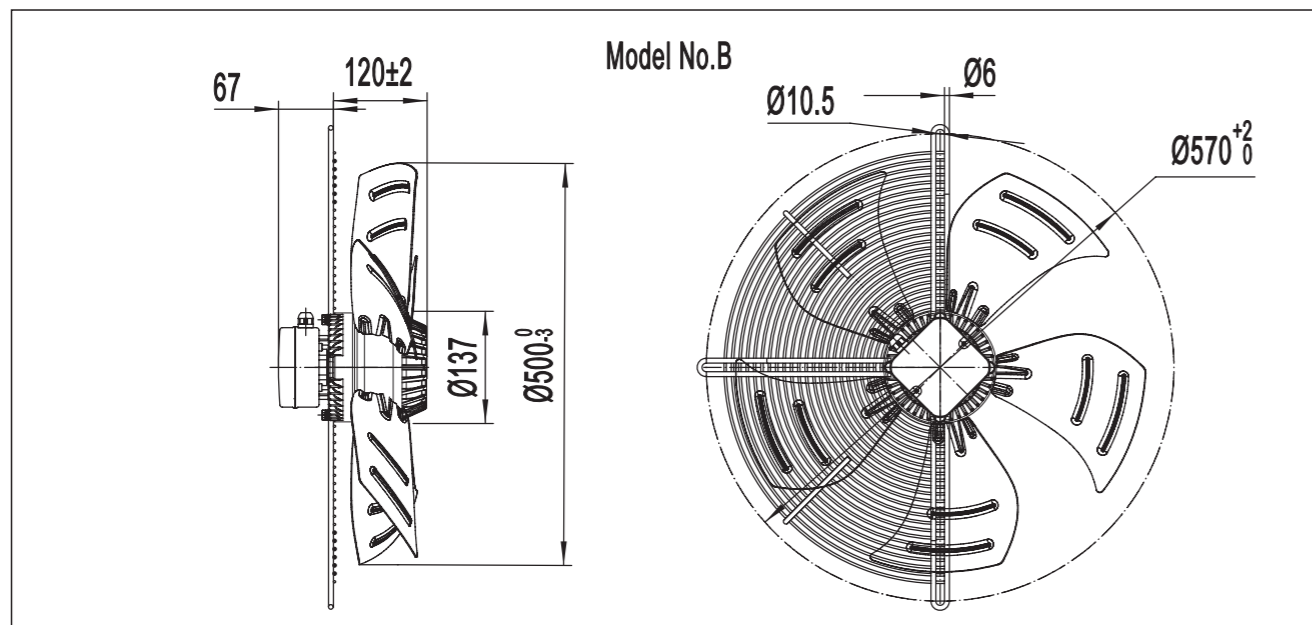


 E型导风筒	电压 Voltage	频率 Frequency	电流 Current	输入功率 Input Power	转速 Speed	电容 Capacitor	风量 Air Flow	噪音 Noise	曲线 Curve No	运行温度 Operating Temperature	认证 Approvals
Model No. E	(V)	(Hz)	(A)	(W)	(RPM)	(μF)	(m ³ /h / CFM)	(dB(A))	(#)	(Min/Max°C)	
YWF.A4S-500S-5EIA00	220/230	50	2.00	420	1320	10	6500/3835	69	①	-30/+60	CCC;CE;Rohs
		60	2.50	500	1450		6800/4012	70	②		CCC;CE;Rohs;UL
YWF.A4T-500S-5EIA00	380/400	50	0.95	420	1350	/	6500/3835	69	①	-30/+60	CCC;CE;Rohs
		60	0.90	500	1500		6800/4012	70	②		CCC;CE;Rohs;UL
YWF.A6S-500S-5EIA00	220/230	50	1.10	220	900	4	4320/2548	65	③	-30/+60	CCC;CE;Rohs
		60	1.38	275	1020		4800/2832	66	④		CCC;CE;Rohs;UL
YWF.A6T-500S-5EIA00	380/400	50	0.62	220	900	/	4320/2548	65	③	-30/+60	CCC;CE;Rohs
		60	0.60	275	1100		4800/2832	66	④		CCC;CE;Rohs;UL
YWF.A8T-500S-5EIA00	380/400	50	0.3	110	700	/	3400/2006	56	⑤	-30/+60	CCC;CE;Rohs



Φ500

Φ500









Φ500

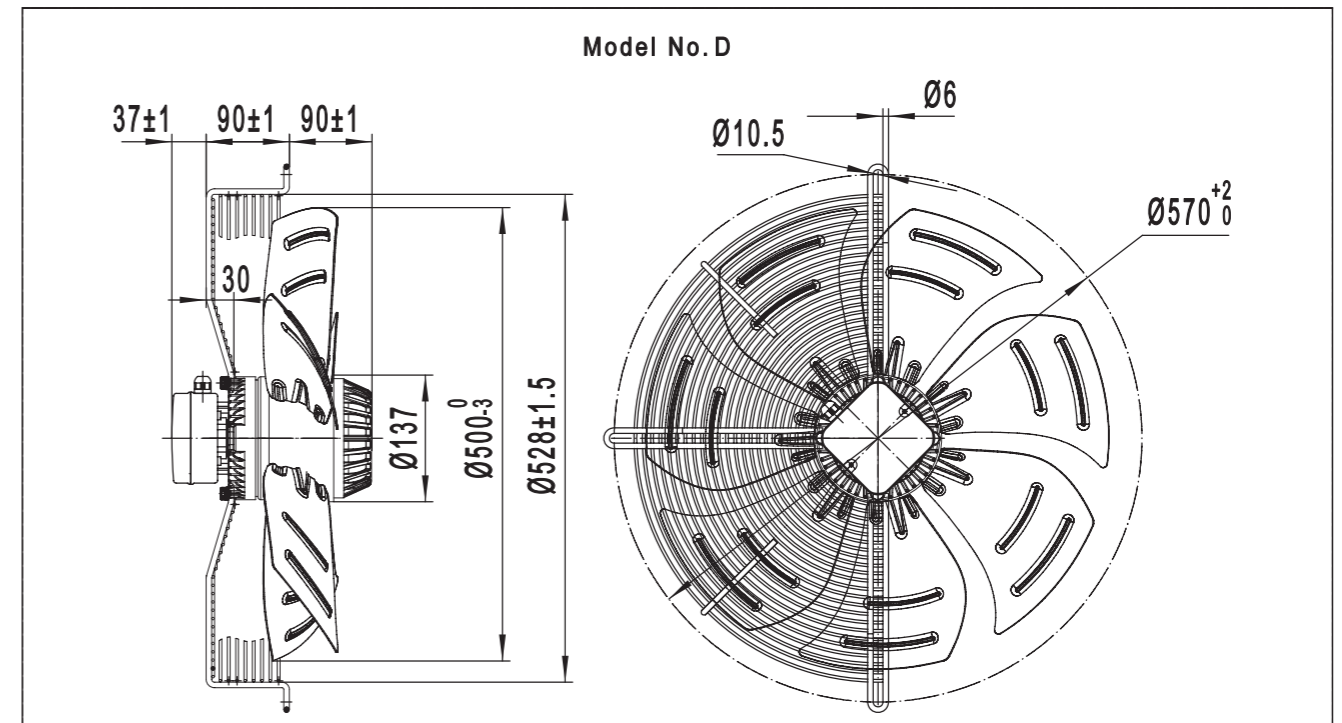
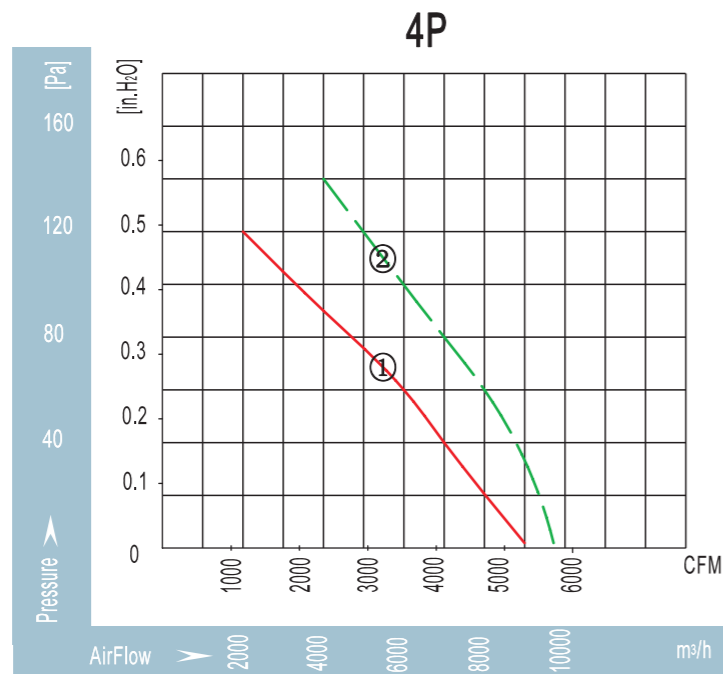
Φ500

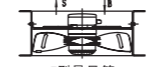


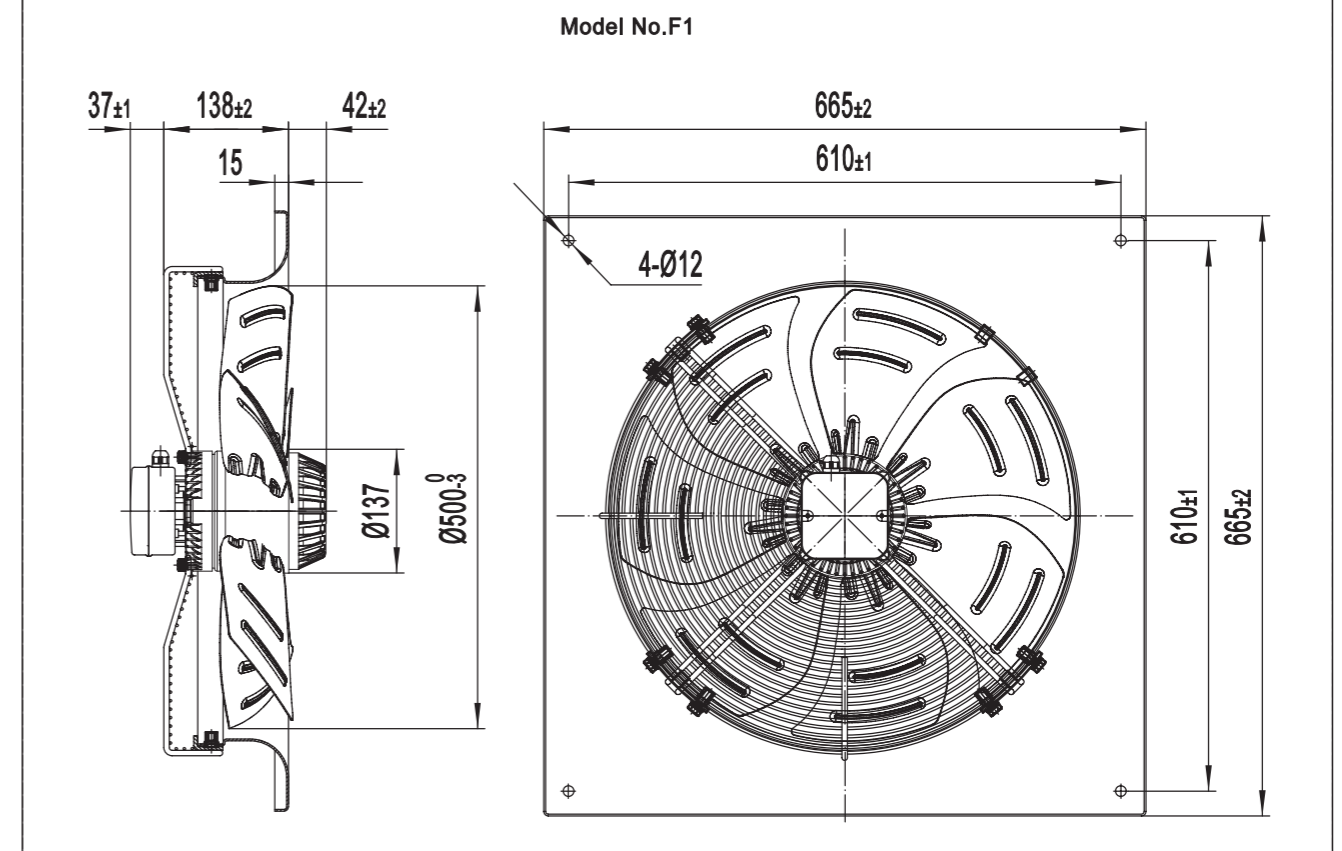
Ø500-7 系列轴流风机
Ø500-7 Series Axial Fan

材 质：转子铸铝
Material: Rotor: Aluminum Casting
保护等级：IP54
Protection Class: IP54
绝缘等级：F
Insulation Class: F
轴 承：免维护滚珠球轴承
Bearing: Maintenance free ball bearing

 B型网罩	 C型网罩	 D型网罩	 G型网罩	 F型正扣面板	 F型反扣面板
Model No. B	Model No. C	Model No. D	Model No. G	Model No. F0	Model No. F1
/	/	YWF.A4S-500S-7DIAT0	/	/	YWF.A4S-500S-7FIAT1
/	/	YWF.A4T-500S-7DIAT0	/	/	YWF.A4T-500S-7FIAT1



 E型导风筒	电压 Voltage	频率 Frequency	电流 Current	输入功率 Input Power	转速 Speed	电容 Capacitor	风量 Air Flow	噪音 Noise	曲线 Curve No	运行温度 Operating Temperature	认证 Approvals
Model No. E	(V)	(Hz)	(A)	(W)	(RPM)	(μ F)	(m^3/h / CFM)	(dB(A))	(#)	(Min/Max°C)	
/	220/230	50	3.80	800	1380	16	8500/5015	73	①	-30/+60	CCC;CE;Rohs
/	220/230	60	4.50	950	1600	16	9500/5605	75	②	-30/+60	CCC;CE;Rohs
/	380/400	50	1.60	850	1380	/	8500/5015	73	①	-30/+60	CCC;CE;Rohs
/	380/400	60	1.80	950	1600	/	9500/5605	75	②	-30/+60	CCC;CE;Rohs



Φ550

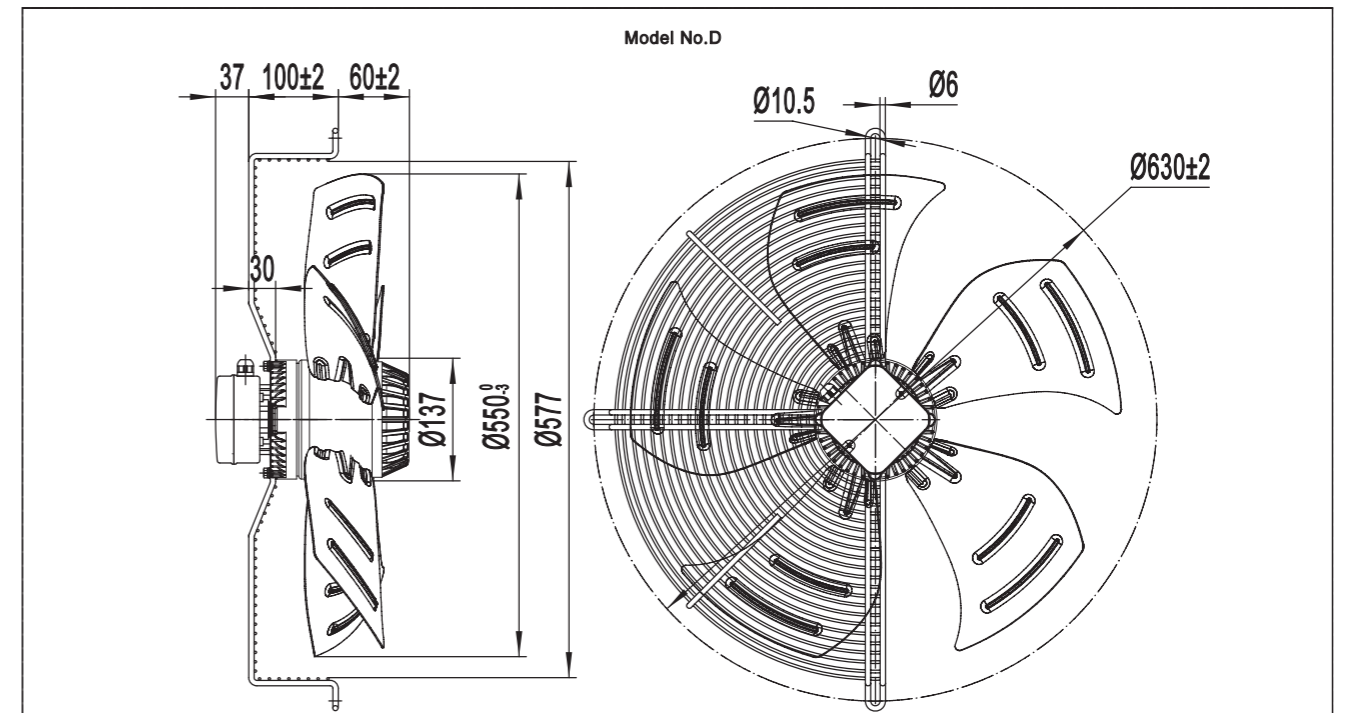
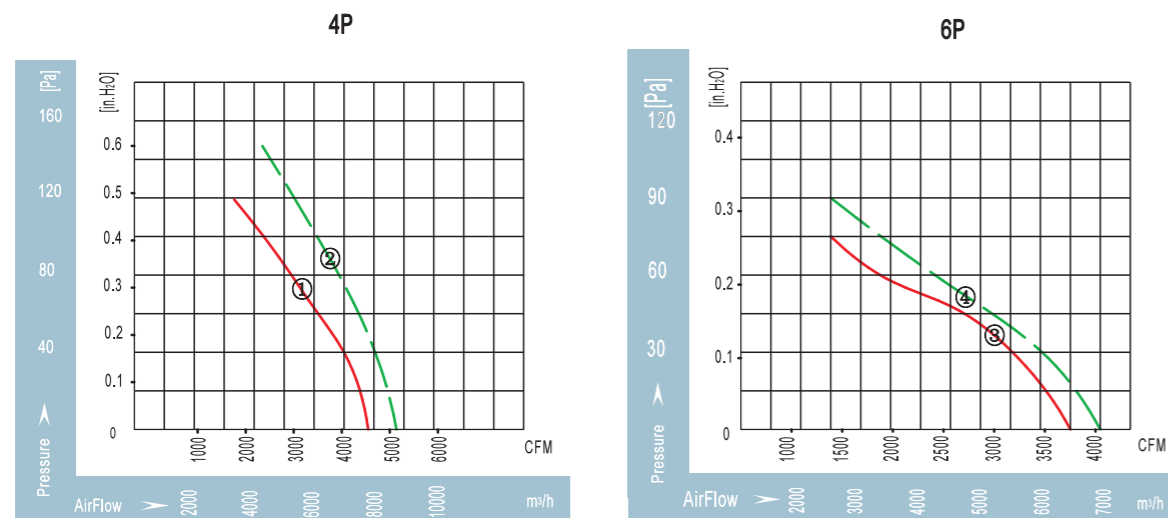
Φ550



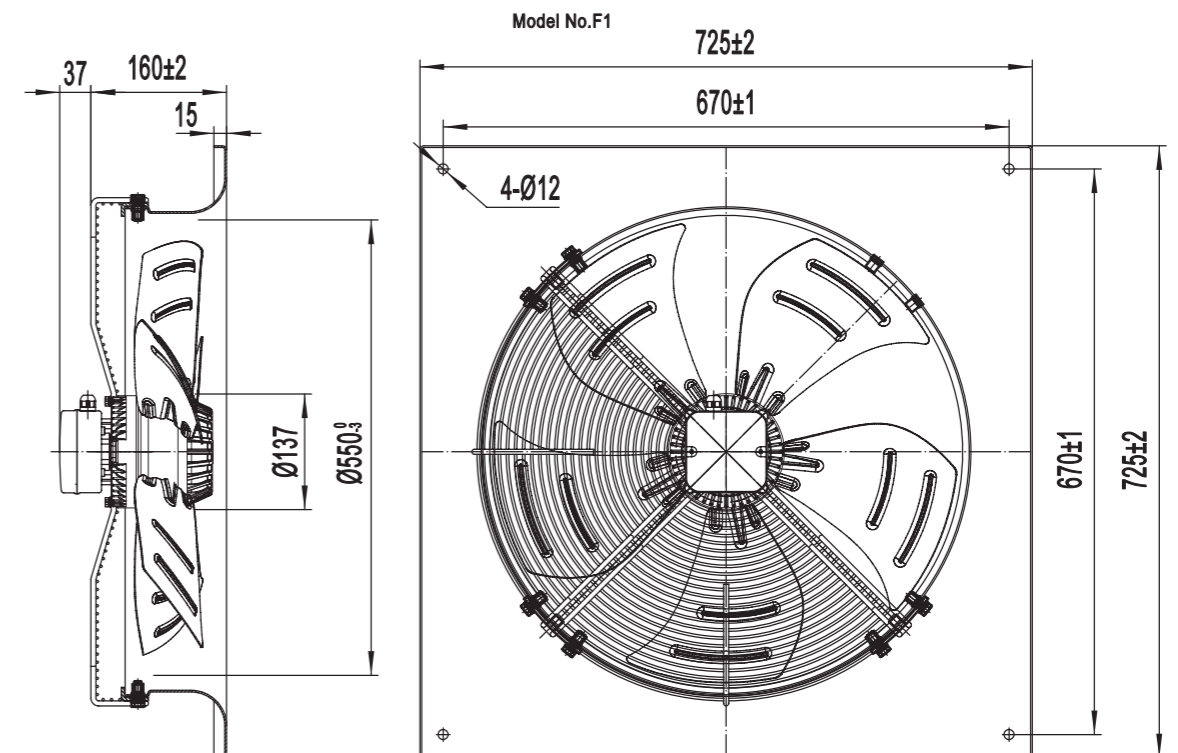
Ø550-5 系列轴流风机
Ø550-5 Series Axial Fan

材 质：转子铸铝
Material: Rotor: Aluminum Casting
保护等级：IP54
Protection Class: IP54
绝缘等级：F
Insulation Class: F
轴 承：免维护滚珠球轴承
Bearing: Maintenance free ball bearing

B型网罩	C型网罩	D型网罩	G型网罩	F型正扣面板	F型反扣面板
Model No. B	Model No. C	Model No. D	Model No. G	Model No. F0	Model No. F1
YWF.A4S-550S-5BIA00	YWF.A4S-550S-5CIA00	YWF.A4S-550S-5DIA00	YWF.A4S-550S-5GIA00	YWF.A4S-550S-5FIA00	YWF.A4S-550S-5FIA01
YWF.A4T-550S-5BIA00	YWF.A4T-550S-5CIA00	YWF.A4T-550S-5DIA00	YWF.A4T-550S-5GIA00	YWF.A4T-550S-5FIA00	YWF.A4T-550S-5FIA01
YWF.A6S-550S-5BIA00	YWF.A6S-550S-5CIA00	YWF.A6S-550S-5DIA00	YWF.A6S-550S-5GIA00	YWF.A6S-550S-5FIA00	YWF.A6S-550S-5FIA01
YWF.A6T-550S-5BIA00	YWF.A6T-550S-5CIA00	YWF.A6T-550S-5DIA00	YWF.A6T-550S-5GIA00	YWF.A6T-550S-5FIA00	YWF.A6T-550S-5FIA01

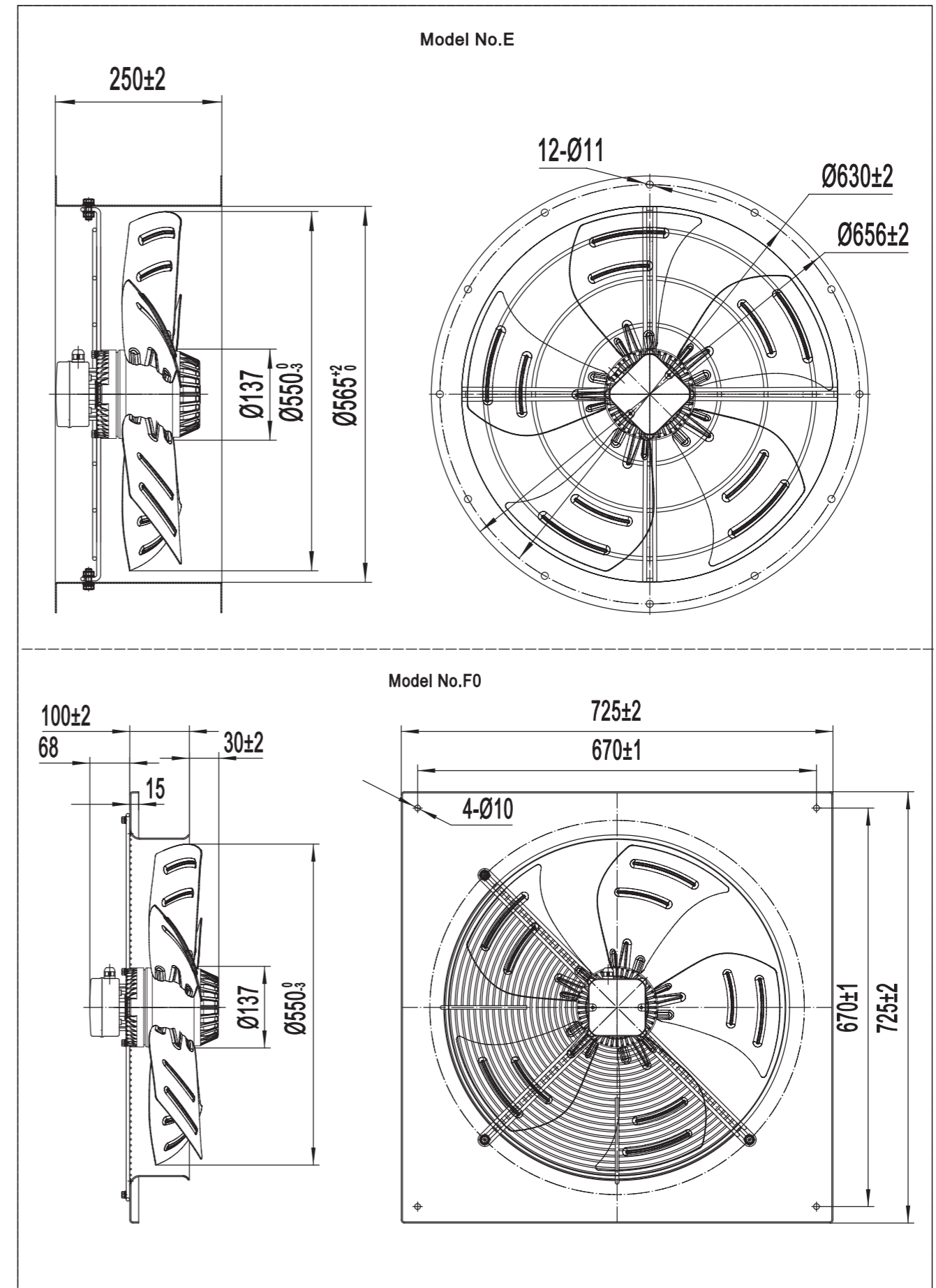
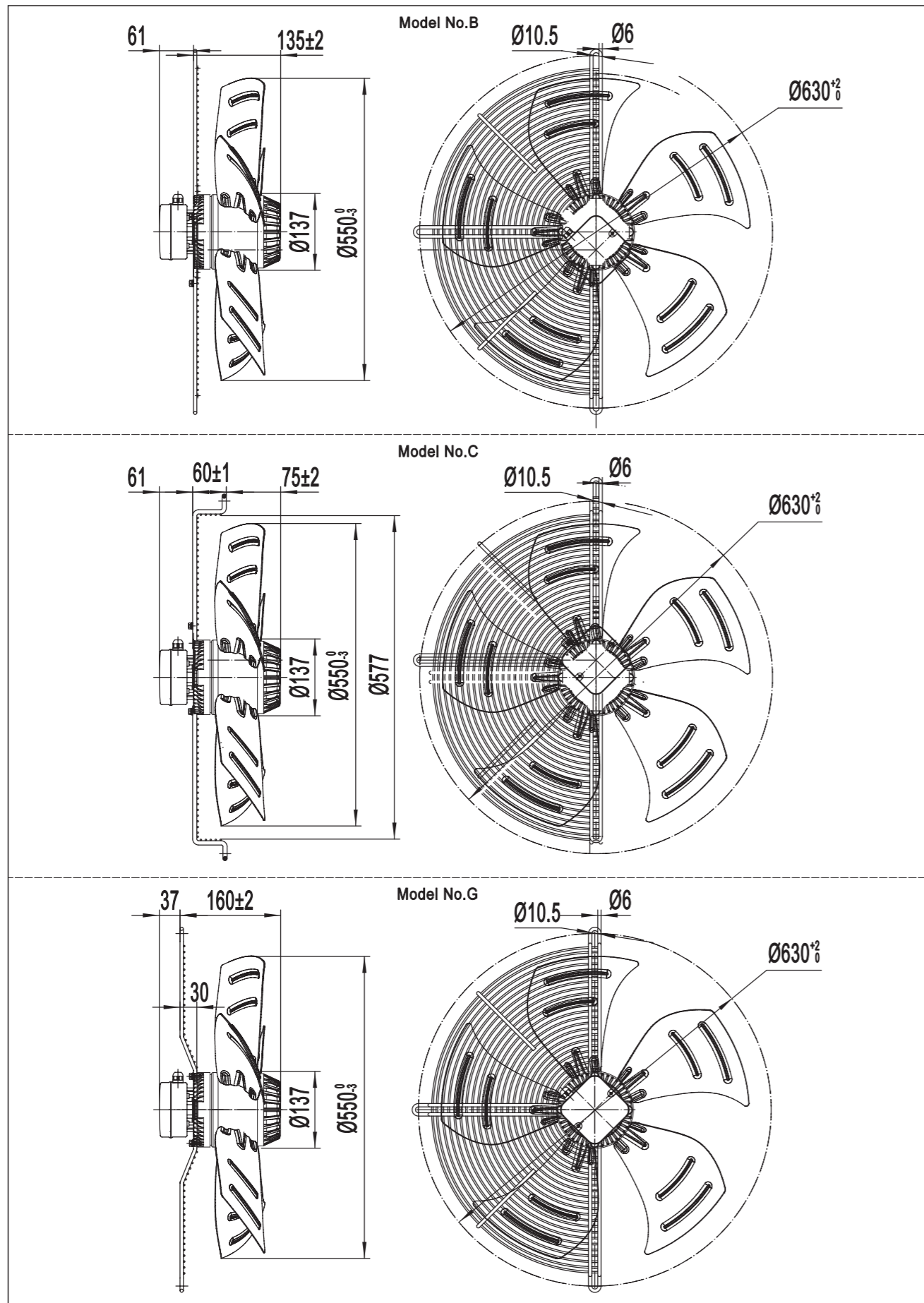


E型导风筒	电压 Voltage	频率 Frequency	电流 Current	输入功率 Input Power	转速 Speed	电容 Capacitor	风量 Air Flow	噪音 Noise	曲线 Curve No	运行温度 Operating Temperature	认证 Approvals
Model No. E	(V)	(Hz)	(A)	(W)	(RPM)	(μ F)	(m^3/h / CFM)	(dB(A))	(#)	(Min/Max°C)	
YWF.A4S-550S-5EIA00	220/230	50	2.50	550	1320	12	7500/4425	73	①	-30/+60	CCC;CE;Rohs
		60	3.30	725	1400		8800/5192	74	②		CCC;CE;Rohs;UL
YWF.A4T-550S-5EIA00	380/400	50	1.10	550	1330	/	7500/4425	73	①	-30/+60	CCC;CE;Rohs
		60	1.40	725	1540		8800/5192	74	②		CCC;CE;Rohs;UL
YWF.A6S-550S-5EIA00	220/230	50	1.50	320	910	10	6500/3835	62	③	-30/+60	CCC;CE;Rohs
		60	2.15	465	1060		7000/4130	66	④		CCC;CE;Rohs;UL
YWF.A6T-550S-5EIA00	380/400	50	0.95	320	910	/	6500/3835	62	③	-30/+60	CCC;CE;Rohs
		60	1.00	440	1090		7000/4130	66	④		CCC;CE;Rohs;UL



Φ550

Φ550

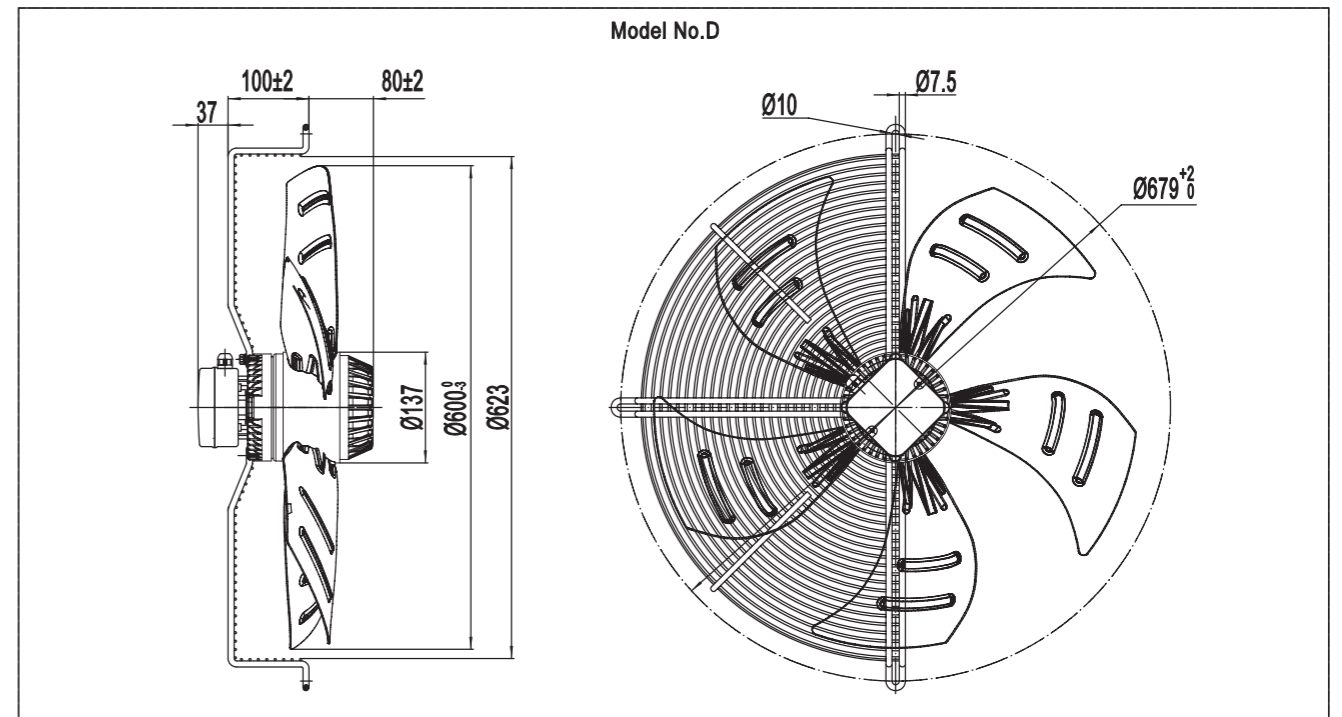
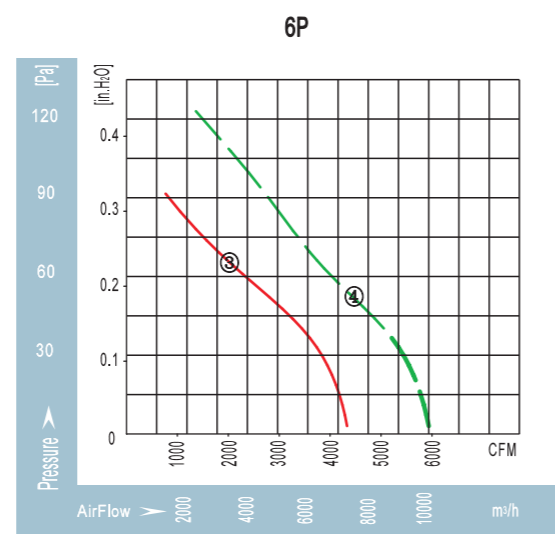
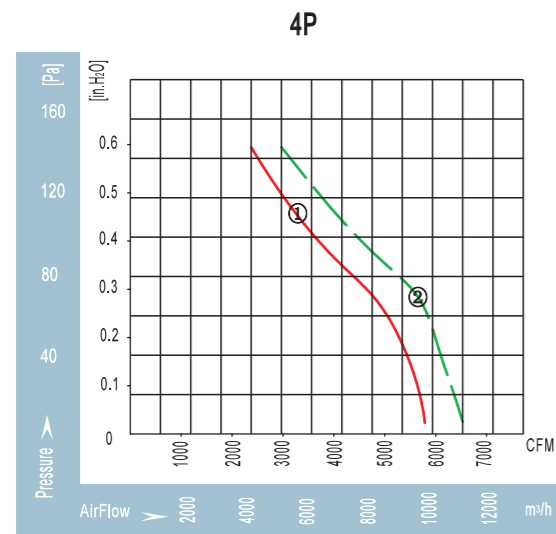




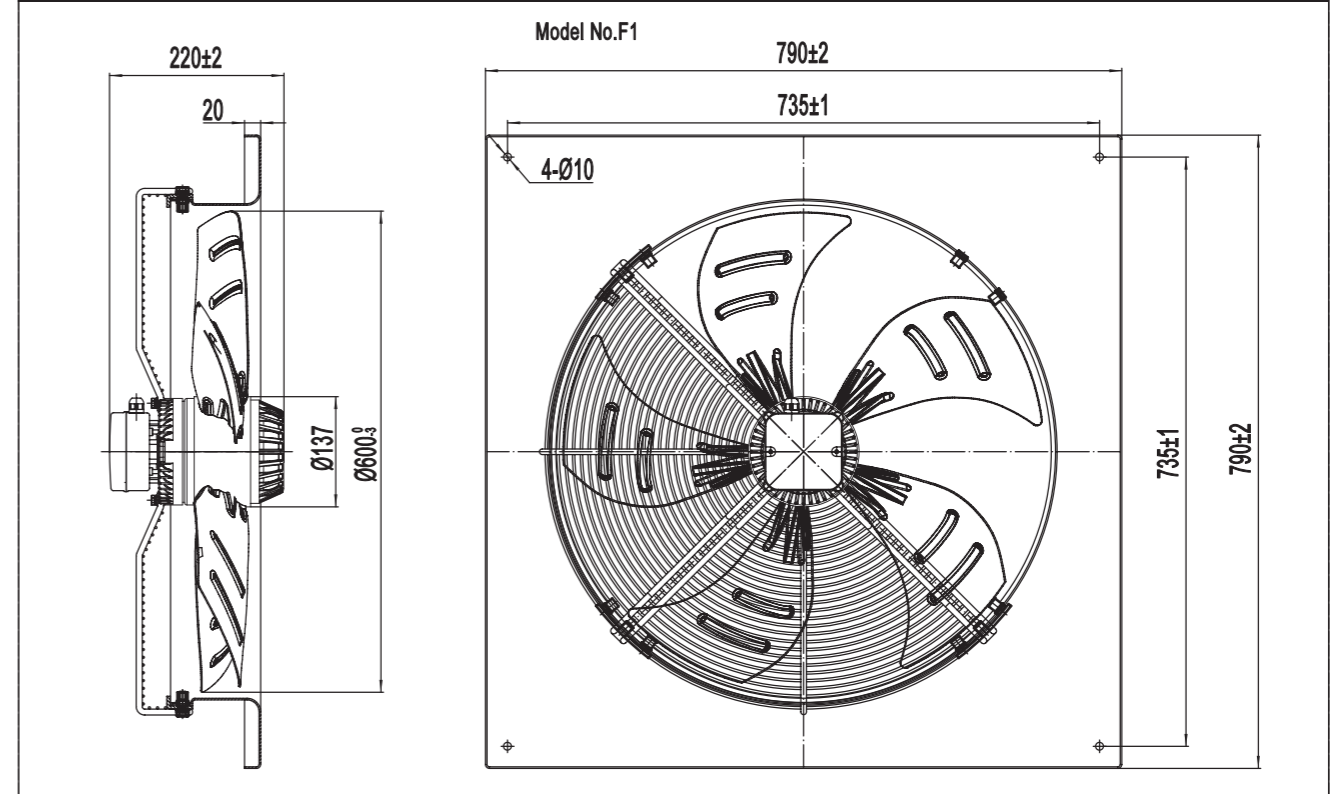
Ø600-5 系列轴流风机
Ø600-5 Series Axial Fan

材 质：转子铸铝
Material: Rotor: Aluminum Casting
保护等级：IP54
Protection Class: IP54
绝缘等级：F
Insulation Class: F
轴 承：免维护滚珠轴承
Bearing: Maintenance free ball bearing

Model No. B	Model No. C	Model No. D	Model No. G	Model No. F0	Model No. F1
/	/	YWF.A4S-600S-5DIA00	/	/	YWF.A4S-600S-5FIA01
/	/	YWF.A4T-600S-5DIA00	/	/	YWF.A4T-600S-5FIA01
/	/	YWF.A6S-600S-5DIA00	/	/	YWF.A6S-600S-5FIA01
/	/	YWF.A6T-600S-5DIA00	/	/	YWF.A6T-600S-5FIA01



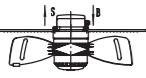
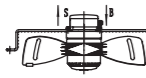
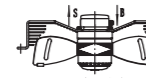
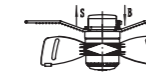
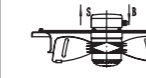
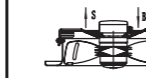
	电压	频率	电流	输入功率	转速	电容	风量	噪音	曲线	运行温度	认证
Model No. E	(V)	(Hz)	(A)	(W)	(RPM)	(μF)	(m ³ /h / CFM)	(dB(A))	(#)	(Min/Max°C)	Approvals
/	220/230	50	3.80	800	1380	16	9500/5605	73	①	-30/+60	CCC;CE;Rohs
		60	4.20	920	1640		11000/6490	75	②		CCC;CE;Rohs;UL
/	380/400	50	1.50	800	1350	/	9500/5605	73	①	-30/+60	CCC;CE;Rohs
		60	2.00	1000	1550		11000/6490	76	②		CCC;CE;Rohs;UL
/	220/230	50	2.40	500	910	12	8500/5015	68	③	-30/+60	CCC;CE;Rohs
		60	2.94	640	1080		9700/5723	70	④		CCC;CE;Rohs;UL
/	380/400	50	1.50	500	910	/	8500/5015	67	③	-30/+60	CCC;CE;Rohs
		60	1.50	650	1070		9700/5723	69	④		CCC;CE;Rohs;UL

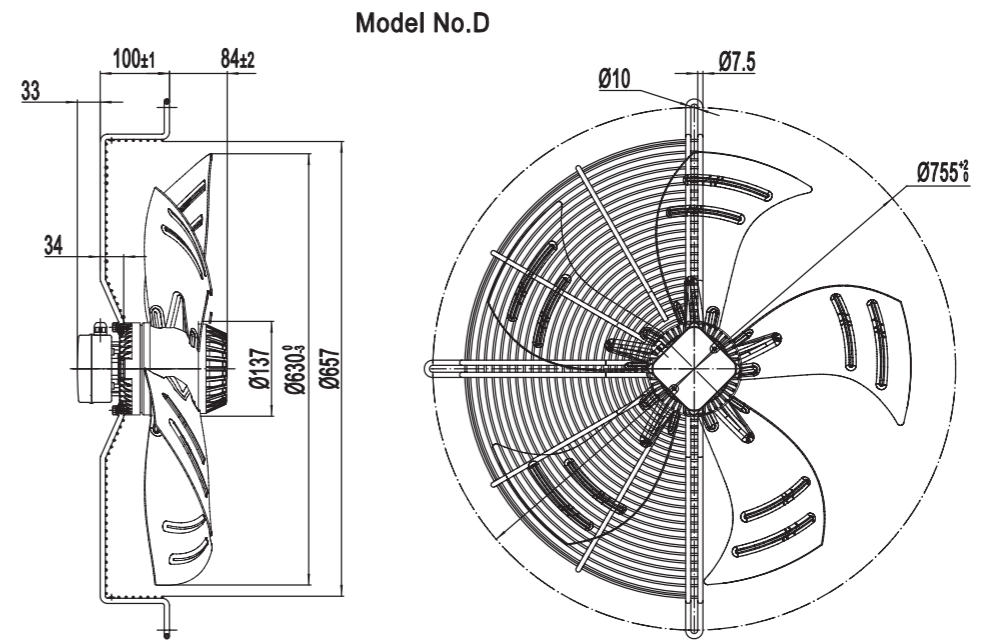
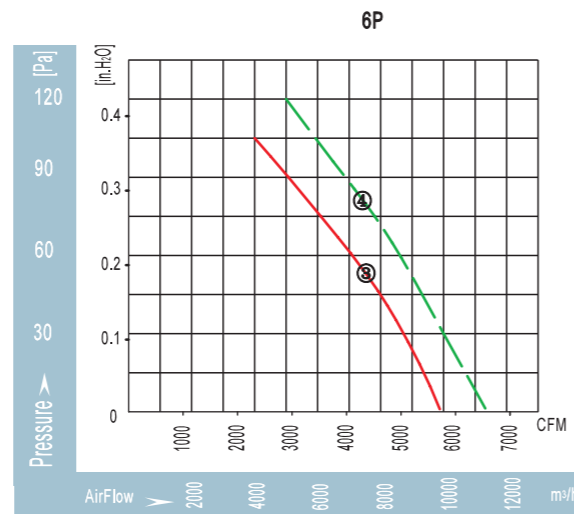
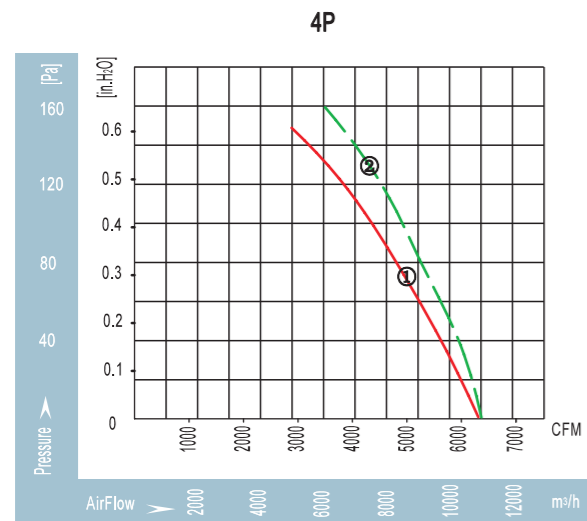


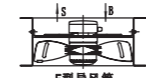


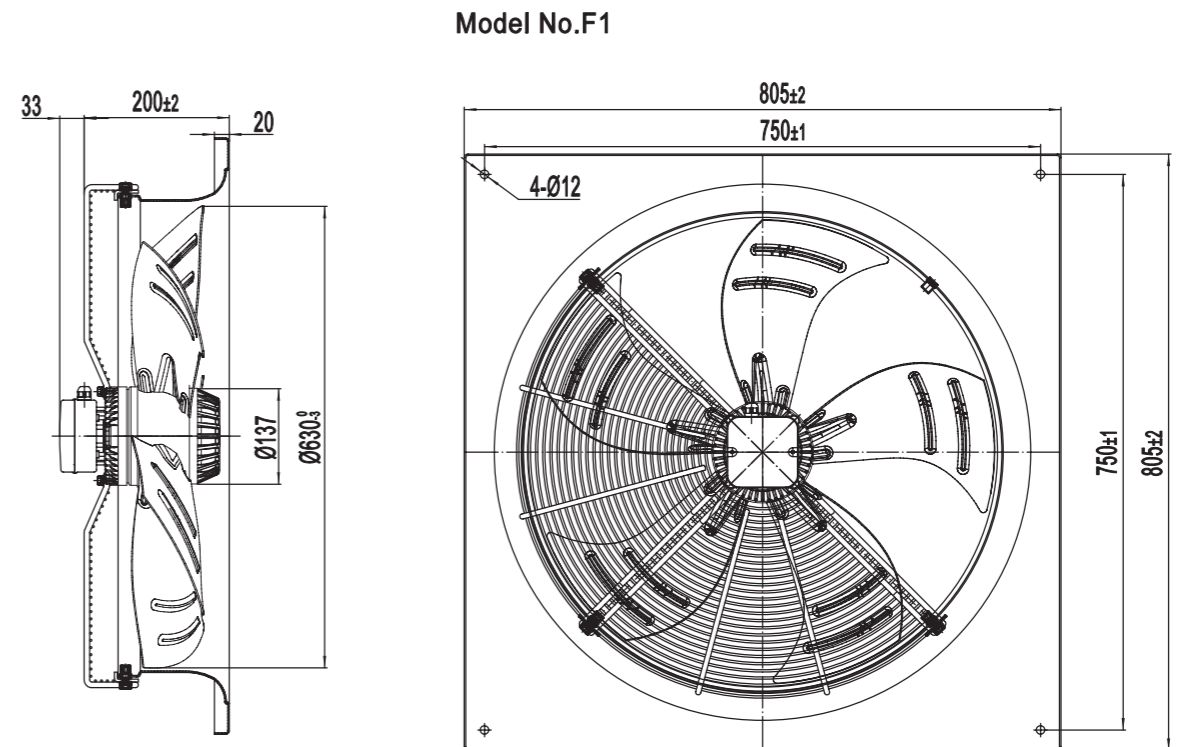
Ø630-5 系列轴流风机
Ø630-5 Series Axial Fan

材 质：转子铸铝
Material: Rotor: Aluminum Casting
保护等级：IP54
Protection Class: IP54
绝缘等级：F
Insulation Class: F
轴 承：免维护滚珠球轴承
Bearing: Maintenance free ball bearing

 B型网罩	 C型网罩	 D型网罩	 G型网罩	 F型正扣面板	 F型反扣面板
Model No. B	Model No. C	Model No. D	Model No. G	Model No. F0	Model No. F1
YWF.A4S-630S-5BIA00	YWF.A4S-630S-5CIA00	YWF.A4S-630S-5DIA00	YWF.A4S-630S-5GIA00	YWF.A4S-630S-5FIA00	YWF.A4S-630S-5FIA01
YWF.A4T-630S-5BIA00	YWF.A4T-630S-5CIA00	YWF.A4T-630S-5DIA00	YWF.A4T-630S-5GIA00	YWF.A4T-630S-5FIA00	YWF.A4T-630S-5FIA01
YWF.A6S-630S-5BIA00	YWF.A6S-630S-5CIA00	YWF.A6S-630S-5DIA00	YWF.A6S-630S-5GIA00	YWF.A6S-630S-5FIA00	YWF.A6S-630S-5FIA01
YWF.A6T-630S-5BIA00	YWF.A6T-630S-5CIA00	YWF.A6T-630S-5DIA00	YWF.A6T-630S-5GIA00	YWF.A6T-630S-5FIA00	YWF.A6T-630S-5FIA01



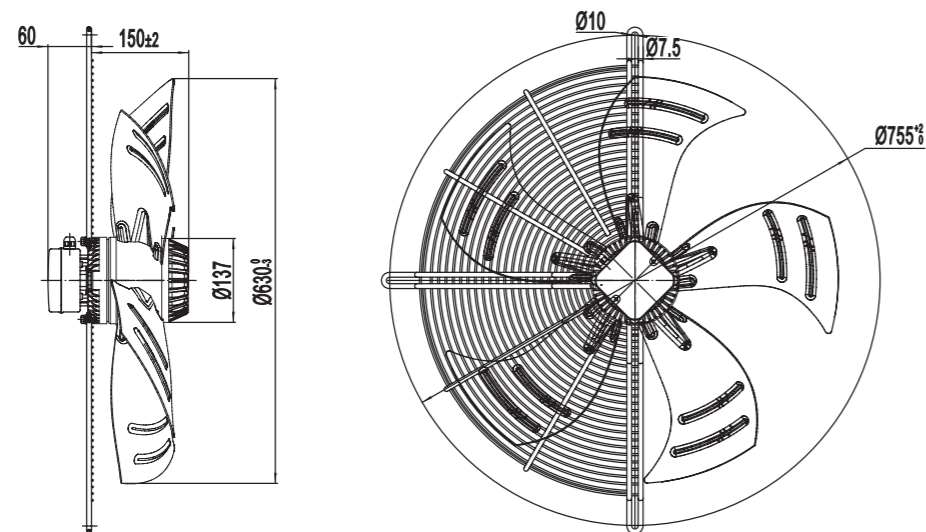
 E型导风筒	电压 Voltage	频率 Frequency	电流 Current	输入功率 Input Power	转速 Speed	电容 Capacitor	风量 Air Flow	噪音 Noise	曲线 Curve No	运行温度 Operating Temperature	认证 Approvals
Model No. E	(V)	(Hz)	(A)	(W)	(RPM)	(μ F)	(m^3/h / CFM)	(dB(A))	(#)	(Min/Max°C)	
YWF.A4S-630S-5EIA00	220/230	50	3.70	800	1360	16	10800/6381	74	①	-30/+60	CCC;CE;Rohs
		60	5.34	1150	1500		11000/6500	75	②		CCC;CE;Rohs;UL
YWF.A4T-630S-5EIA00	380/400	50	1.60	850	1350	/	10800/6381	73	①	-30/+60	CCC;CE;Rohs
		60	1.80	1010	1550		11000/6500	75	②		CCC;CE;Rohs;UL
YWF.A6S-630S-5EIA00	220/230	50	2.40	520	910	12	9500/5613	67	③	-30/+60	CCC;CE;Rohs
		60	3.25	705	1050		10500/6204	70	④		CCC;CE;Rohs;UL
YWF.A6T-630S-5EIA00	380/400	50	1.40	550	900	/	9500/5613	67	③	-30/+60	CCC;CE;Rohs
		60	1.56	740	1060		10500/6204	69	④		CCC;CE;Rohs;UL



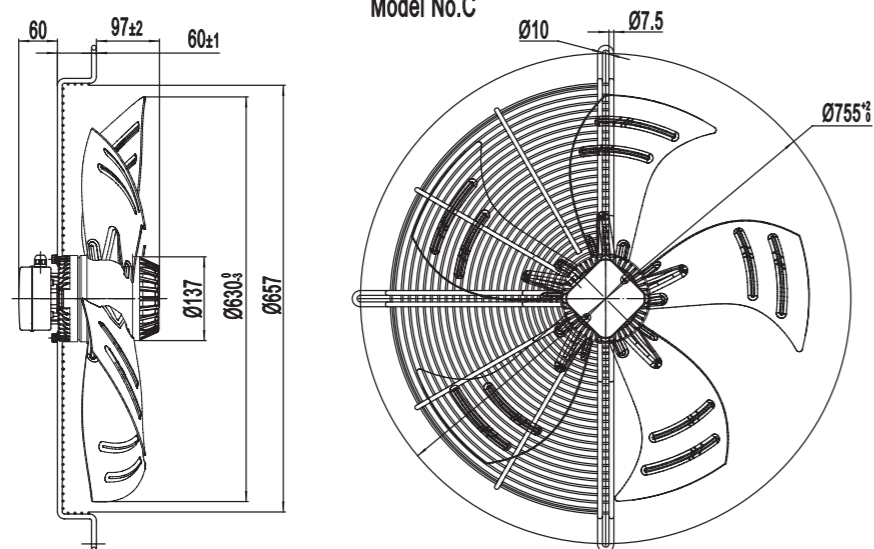
Φ630

Φ630

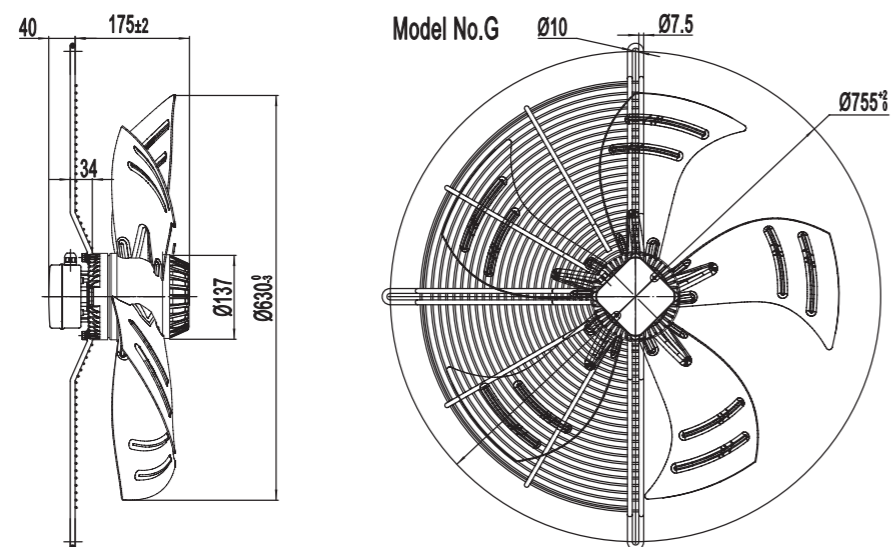
Model No.B



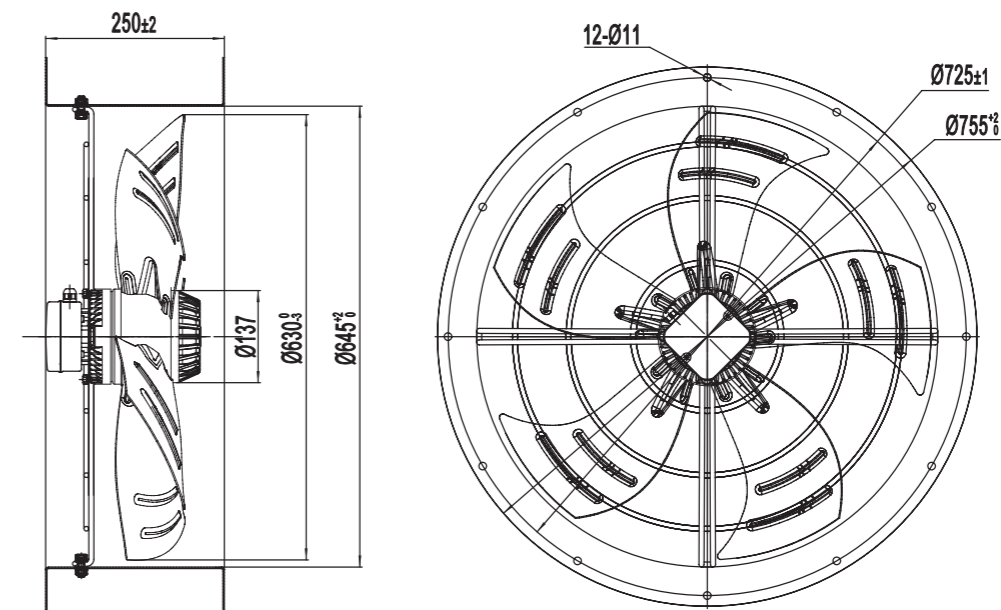
Model No.C



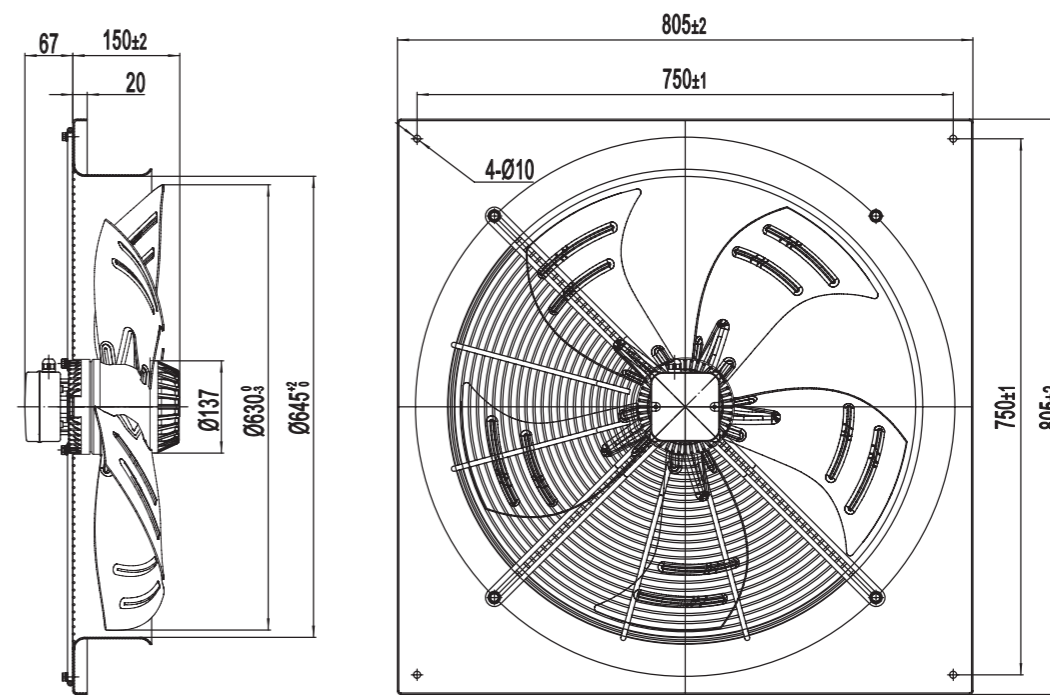
Model No.G



Model No.E



Model No.F0



External Rotor Motor Powered Axial Fan

External Rotor Motor Powered Backward Centrifugal Fan

External Rotor Motor Powered Forward Centrifugal Fan

External Rotor Motor Powered Housing Centrifugal Fan

Duct Fan

External Rotor Motor Powered Axial Fan

External Rotor Motor Powered Backward Centrifugal Fan

External Rotor Motor Powered Forward Centrifugal Fan

External Rotor Motor Powered Housing Centrifugal Fan

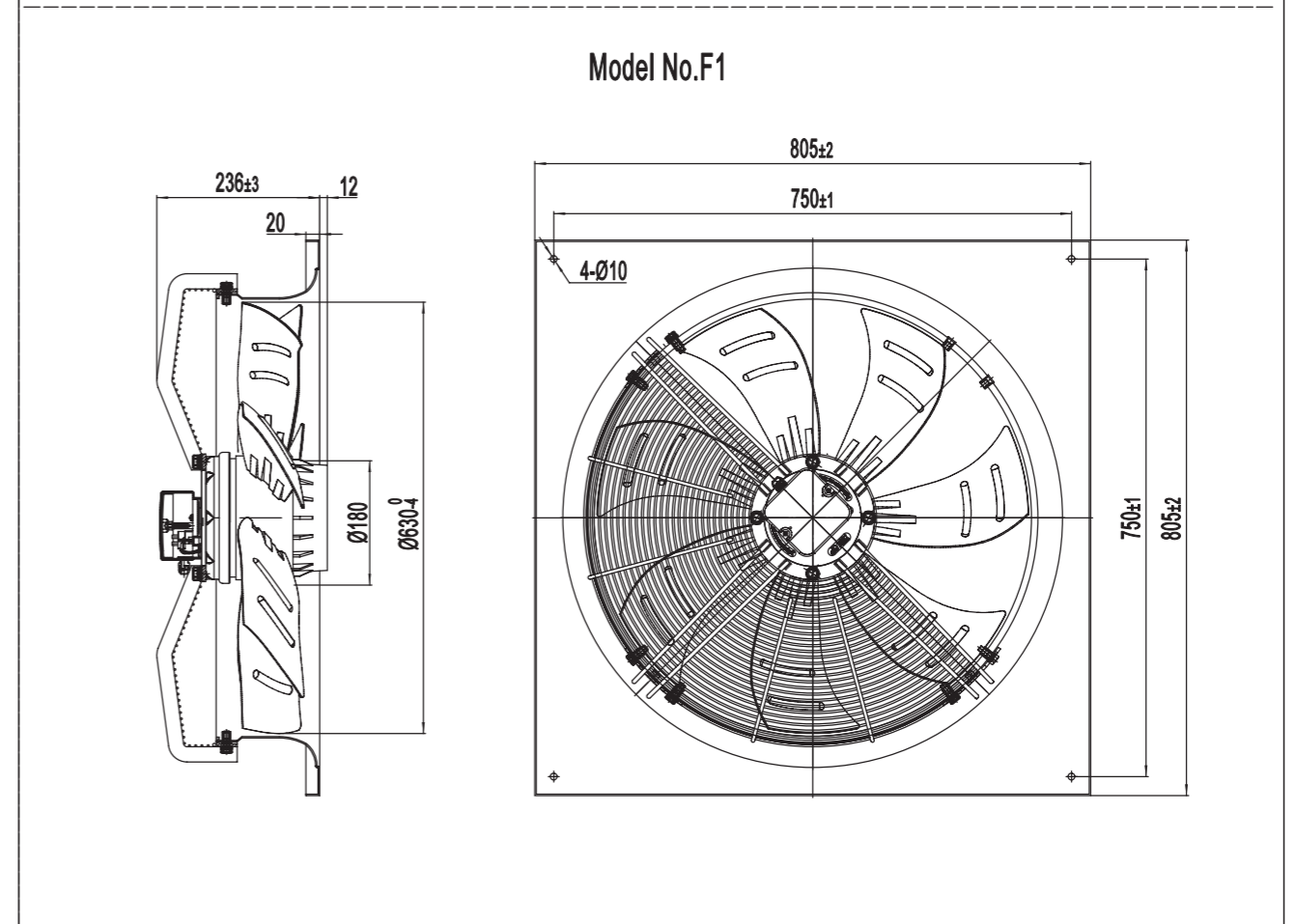
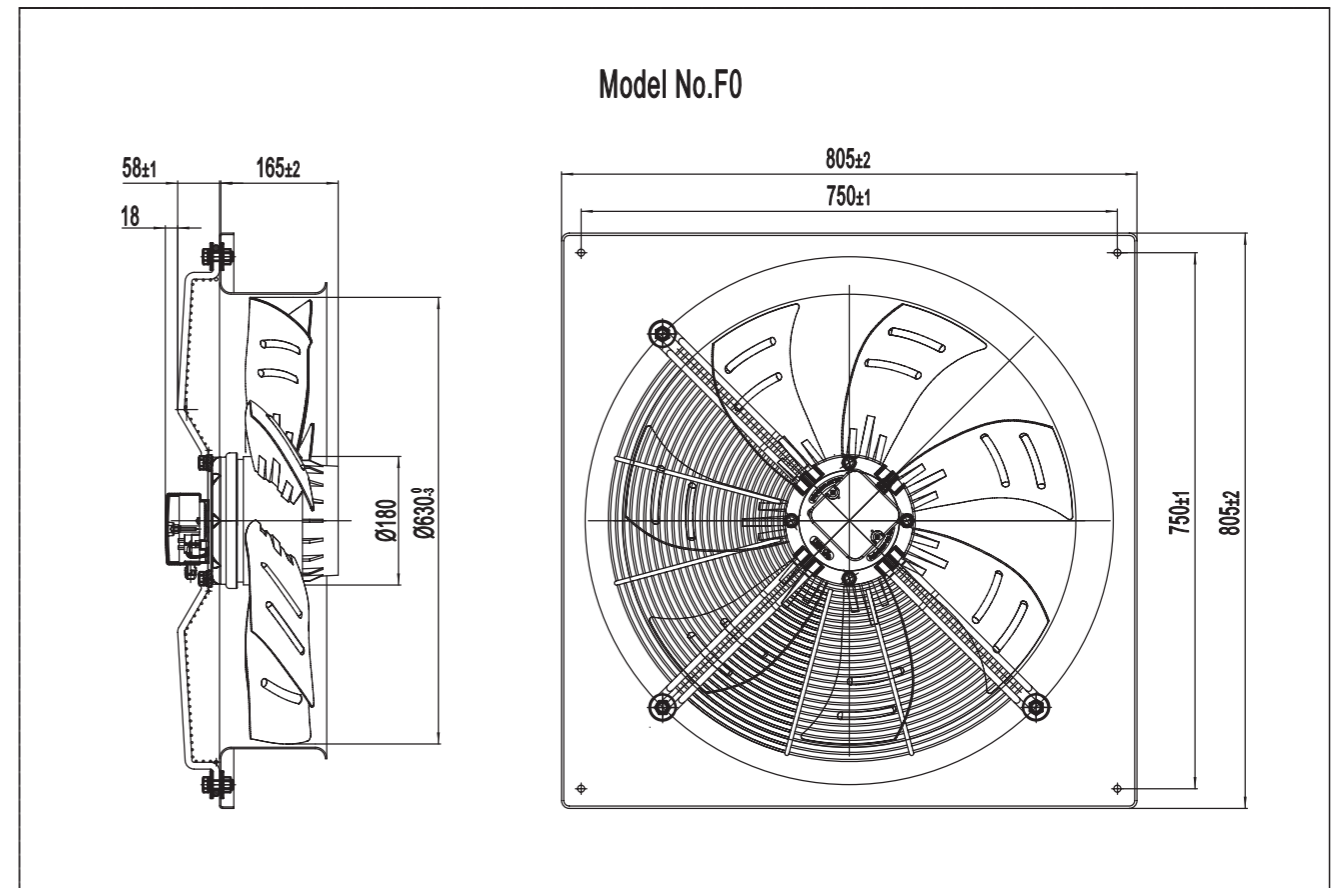
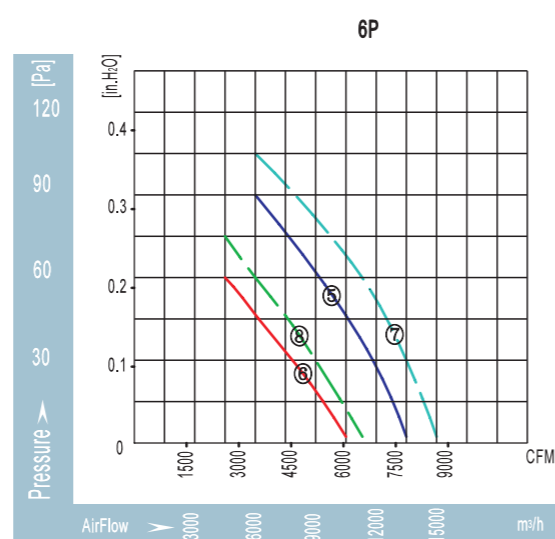
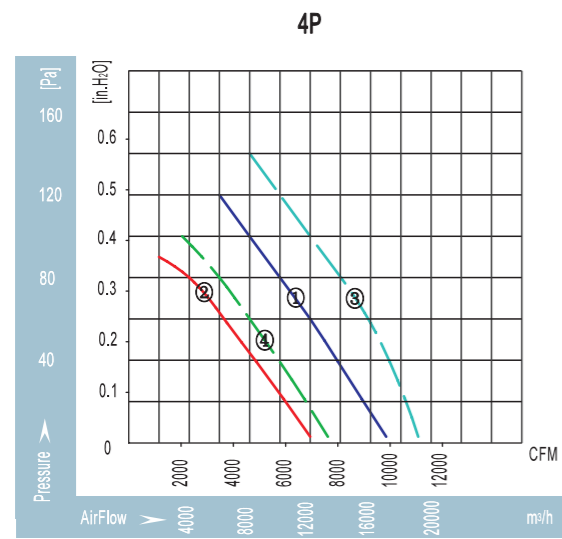
Duct Fan

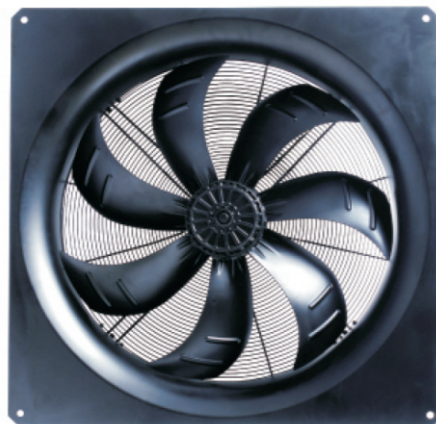


Ø630-7 180 系列轴流风机
Ø630-7 180 Series Axial Fan

材 质：转子铸铝
Material: Rotor: Aluminum Casting
保护等级：IP54
Protection Class: IP54
绝缘等级：F
Insulation Class: F
轴 承：免维护滚珠球轴承
Bearing: Maintenance free ball bearing

IS B		电压 Voltage (V)	频率 Frequency (Hz)	电流 Current (A)	输入功率 Input Power (W)	转速 Speed (RPM)	电 容 Capacitor (μF)	风量 Air Flow (m³/h / CFM)	噪音 Noise (dB(A))	曲线 Curve No (#)	运行温度 Operating Temperature (Min/Max°C)	认证 Approvals
F型正扣面板 Model No. F0	F型反扣面板 Model No. F1											
YWF.A4T-630S-7FIS00	YWF.A4T-630S-7FIS01	380/400	50	3.00	1700	1350	/	17000/10030	76	①	-30/+60	CCC,CE;Rohs
				2.00	1100	1100	/	12000/7080	74	②	-30/+60	CCC,CE;Rohs;UL
				4.20	2400	1550	/	19000/11210	78	③	-30/+60	CCC,CE;Rohs
YWF.A6T-630S-7FIS00	YWF.A6T-630S-7FIS01	380/400	50	1.80	1200	1200	/	13000/7670	73	④	-30/+60	CCC,CE;Rohs;UL
				1.50	850	900	/	13500/7965	70	⑤	-30/+60	CCC,CE;Rohs
				1.10	700	700	/	10500/6195	68	⑥	-30/+60	CCC,CE;Rohs
				2.30	1300	1050	/	15000/8850	73	⑦	-30/+60	CCC,CE;Rohs
			60	1.40	850	750	/	11500/6785	70	⑧	-30/+60	CCC,CE;Rohs



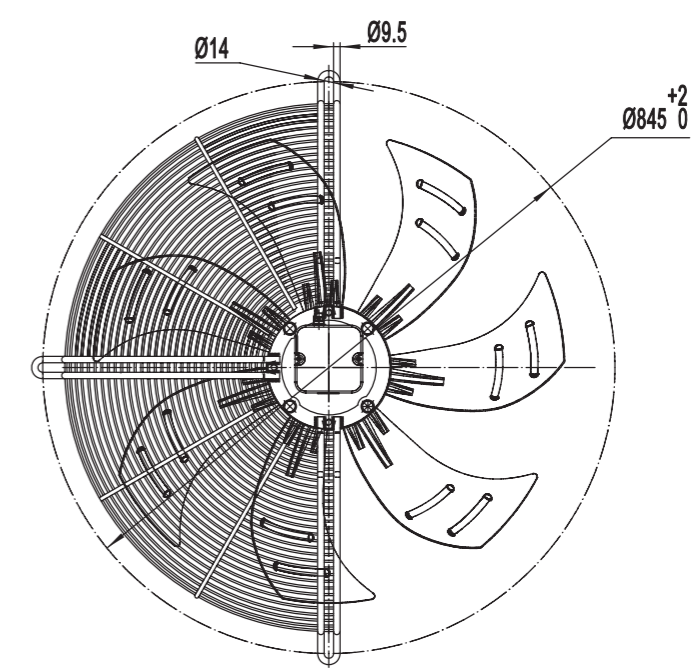
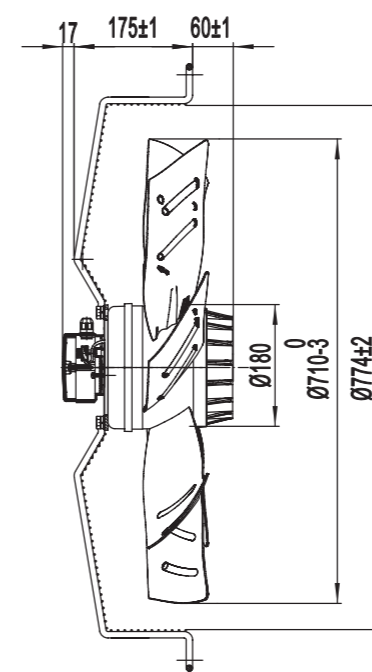
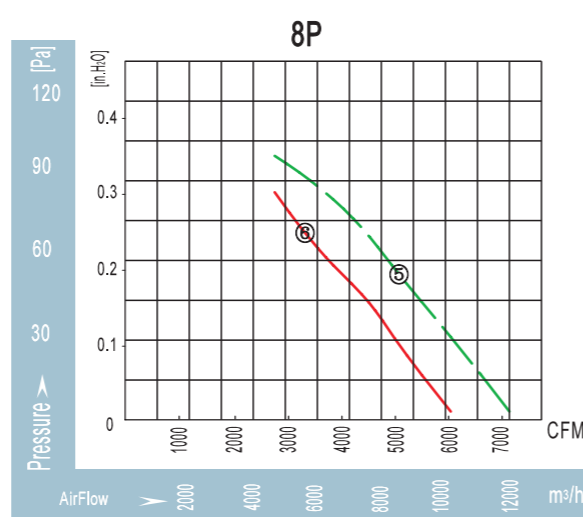
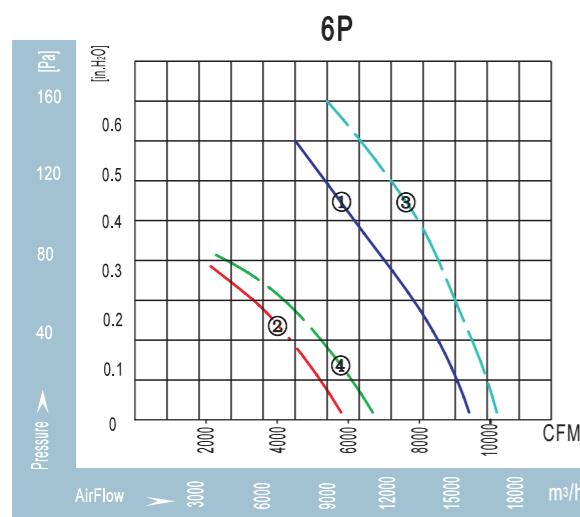


Ø710-7 系列轴流风机
Ø710-7 Series Axial Fan

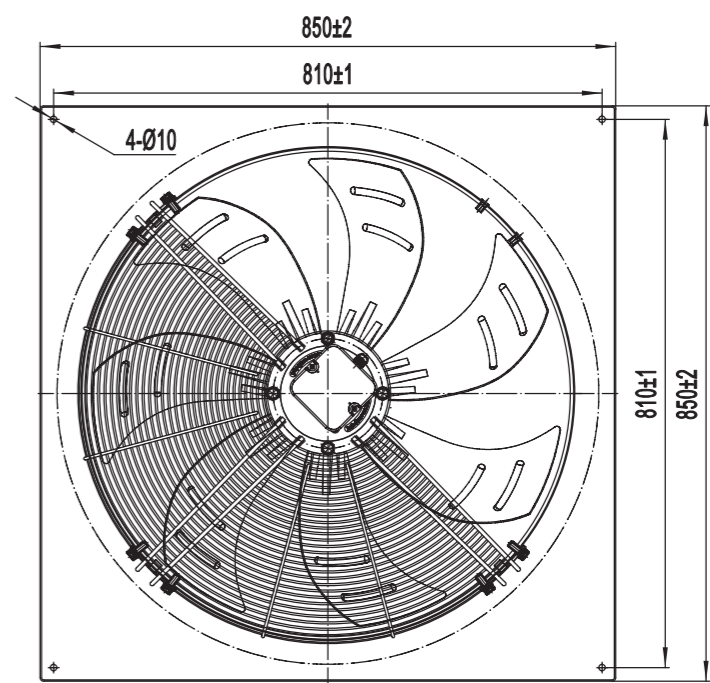
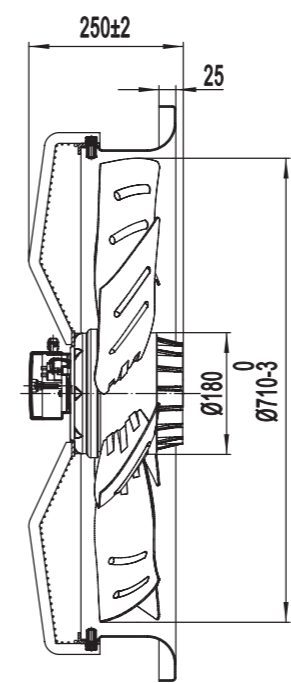
材 质：转子铸铝
Material: Rotor: Aluminum Casting
保护等级：IP54
Protection Class: IP54
绝缘等级：F
Insulation Class: F
轴 承：免维护滚珠轴承
Bearing: Maintenance free ball bearing

ErP2015
EXCEEDS THE NORM

Model No. D	Model No. F1	电压 Voltage (V)	频率 Frequency (Hz)	电流 Current (A)	输入功率 Input Power (W)	转速 Speed (RPM)	电容 Capacitor (μF)	风量 Air Flow (m³/h / CFM)	噪音 Noise (dB(A))	曲线 Curve No	运行温度 Operating Temperature (Min/Max °C)	认证 Approvals
YWF.A6T-710S-7DIS00	YWF.A6T-710S-7FIS01	380/400	50	2.00	1100	900	/	15500/8990	75	①	-30/+60	CCC;CE;Rohs
				1.40	750	600	/	11600/6728	68	④		
YWF.A8T-710S-7DIS00	YWF.A8T-710S-7FIS01	380/400	50	2.00	1250	1050	/	17000/9860	78	③	-30/+60	CCC;CE;Rohs
				1.47	770	700	/	10300/6490	67	②		
YWF.A6T-710S-7DIV00	YWF.A6T-710S-7FIV01	230/400	50	1.50	700	700	/	12000/5974	67	⑤	-30/+60	CCC;CE;Rohs
				0.90	450	600	/	10000/5800	65	⑥		
				2.00	1100	900	/	15500/8990	75	①	-30/+60	CCC;CE;Rohs
				3.40	1100	900	/	15500/8990	75	①		



Model No.D



Model No.F1

External Rotor Motor Powered Axial Fan
External Rotor Motor Powered Backward Centrifugal Fan
External Rotor Motor Powered Forward Centrifugal Fan
External Rotor Motor Powered Housing Centrifugal Fan
Duct Fan

External Rotor Motor Powered Axial Fan
External Rotor Motor Powered Backward Centrifugal Fan
External Rotor Motor Powered Forward Centrifugal Fan
External Rotor Motor Powered Housing Centrifugal Fan
Duct Fan

Φ800

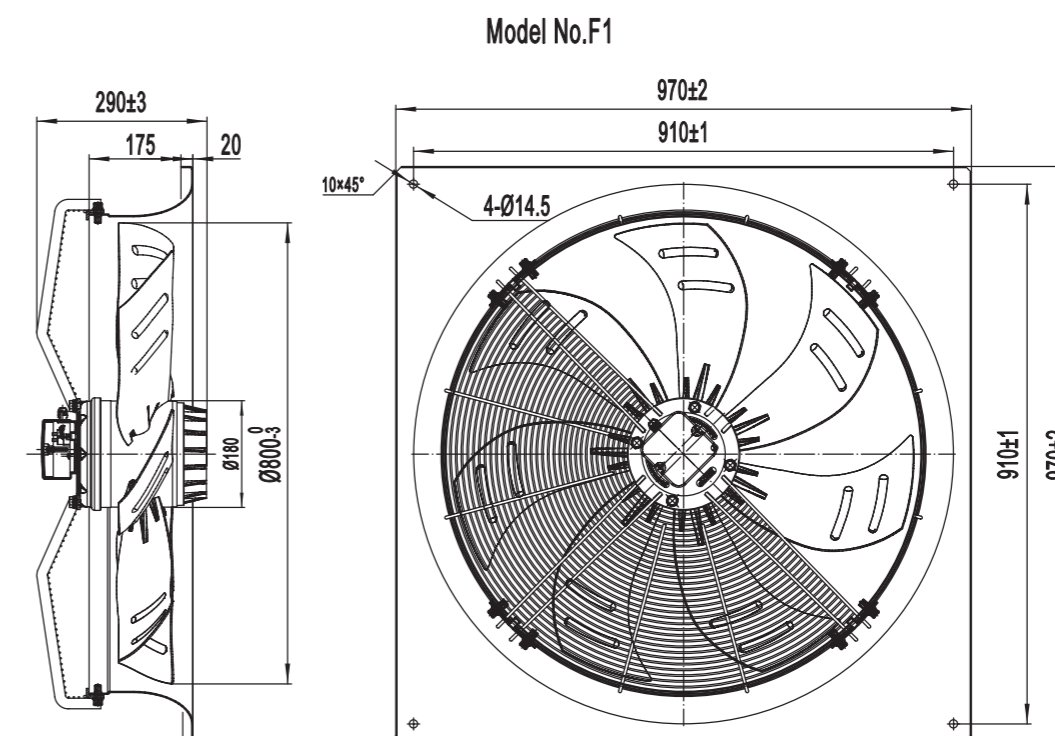
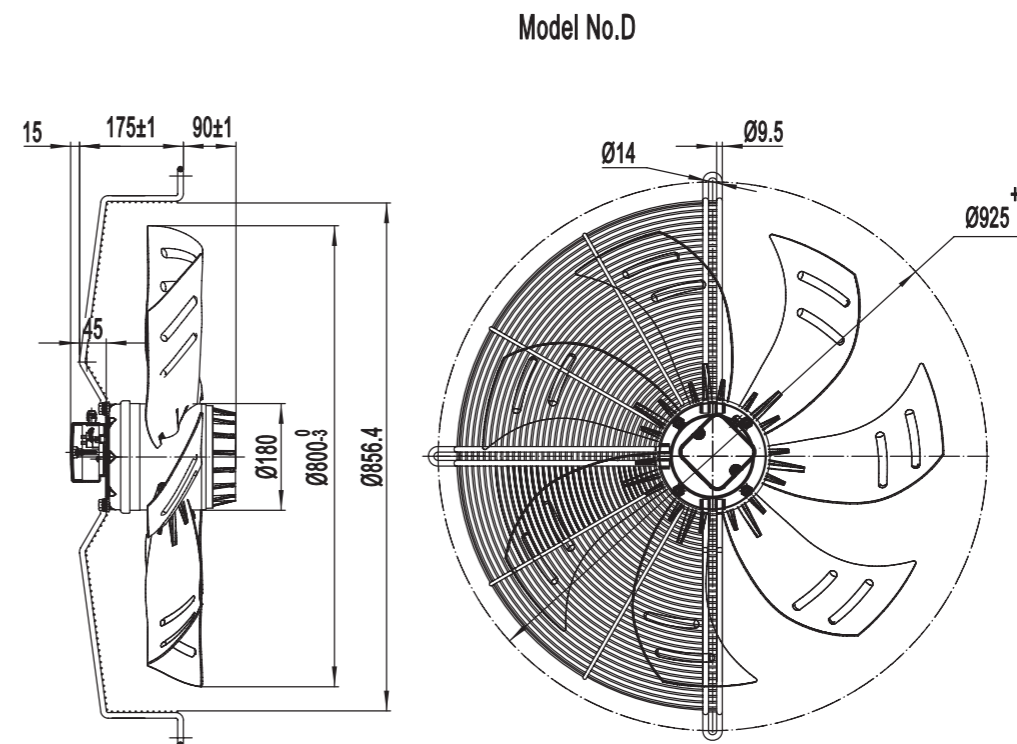
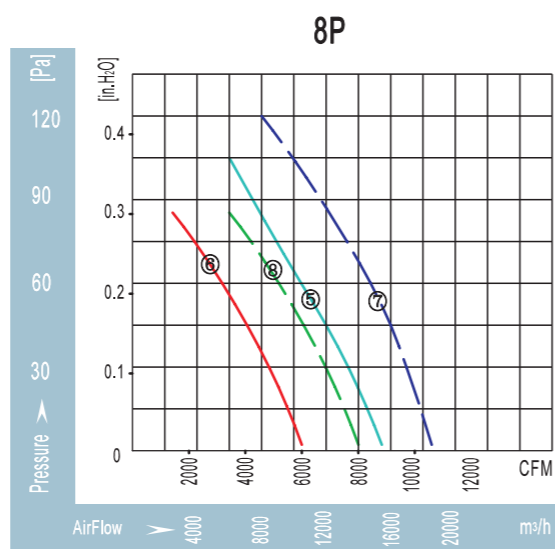
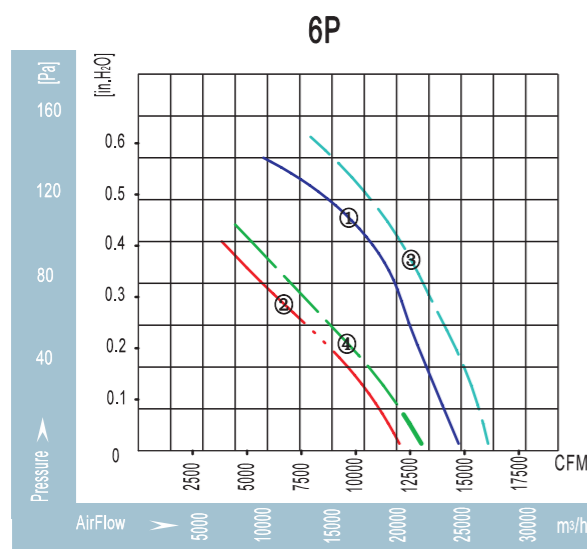
Φ800



Ø800-7 系列轴流风机
Ø800-7 Series Axial Fan

材 质：转子铸铝
Material: Rotor: Aluminum Casting
保护等级：IP54
Protection Class: IP54
绝缘等级：F
Insulation Class: F
轴 承：免维护滚珠球轴承
Bearing: Maintenance free ball bearing

Model No. D	Model No. F1	电压 Voltage	频率 Frequency	电流 Current	输入功率 Input Power	转速 Speed	电容 Capacitor	风量 Air Flow	噪音 Noise	曲线 Curve No	运行温度 Operating Temperature	认证 Approvals
YWF.A6T-800S-7DIS00	YWF.A6T-800S-7FIS01	380/400	50	3.70	1850	900	/	25000/14500	80	①	-30/+60	CCC;CE;Rohs
				2.30	1250	700	/	19000/11020	77	②		
			60	4.00	2200	1050	/	27000/15930	85	③	-30/+60	
				3.00	1550	800	/	20000/11800	78	④		
YWF.A8T-800S-7DIS00	YWF.A8T-800S-7FIS01	380/400	50	1.70	700	700	/	15500/9160	74	⑤	-30/+60	CCC;CE;Rohs
				1.00	550	550	/	10500/6204	70	⑥		
			60	2.10	1050	750	/	18500/10931	76	⑦	-30/+60	
				1.40	700	700	/	14000/9735	72	⑧		
YWF.A6T-800S-7DIV00	YWF.A6T-800S-7FIV01	230/400	50	3.70	1850	900	/	25000/14500	80	①	-30/+60	CCC;CE;Rohs
				7.00	1850	900	/	25000/14500	80	①		



Φ900

Φ900



Ø900-7 系列轴流风机
Ø900-7 Series Axial Fan

材 质：转子铸铝
Material: Rotor: Aluminum Casting
保护等级：IP54
Protection Class: IP54
绝缘等级：F
Insulation Class: F
轴 承：免维护滚珠球轴承
Bearing: Maintenance free ball bearing

D型网罩	F型反扣面板	电压	频率	电流	输入功率	转速	电容	风量	噪音	曲线	运行温度	认证
Model No. D	Model No. F1	(V)	(Hz)	(A)	(W)	(RPM)	(μF)	(m³/h / CFM)	(dB(A))	(#)	(Min/Max°C)	Approvals
YWF.A6T-900S-7DIS00	YWF.A6T-900S-7FIS01	380/400	50	4.00	2000	900	/	27000/15930	80	①	-30/+60	CCC,CE,Rohs
				2.40	1300	750		21500/12685	78	②		
YWF.A8T-900S-7DIS00	YWF.A8T-900S-7FIS01	380/400	50	2.80	1300	700	/	20000/11800	76	③	-30/+60	CCC,CE,Rohs
				1.40	800	600		16000/9440	72	④		

