

COMPRESSOR

Displacement (cm ³)	20.72
Diameter (mm)	34.93
Stroke (mm)	21.62
Net Weight (Kg)	17
Oil type	ISO VG 46 ESTER
Oil charge (cm ³)	500

MOTOR

Approximate Power (CV)	5/8
Voltage/Frequency (V/Hz)	220V 50Hz
Voltage range (V)	187-264
Code	82,197
Type	CSIR
Phase number	1 PH
Locked rotor current (A)	26.0
Main W. resist. at 25°C (Ω)	2.45
Start W. resist. at 25°C (Ω)	25.9

APPLICATION

Application	High/Mid. back pressure
Refrigerant	R134a
Evaporating (°C)	-25 to 10
Expansion	Capillar/Valve
Comp. cooling	Fan cooled
Max. ambient temp. (°C)	43

NOMINAL PERFORMANCE

	CYCLE C	CYCLE D
Cooling capacity (W)	1550	1855
Input power (W)	818	850
EER (kcal/Wh)	1.62	1.87
COP (W/W)	1.89	2.18
Current (A)	5.16	5.29

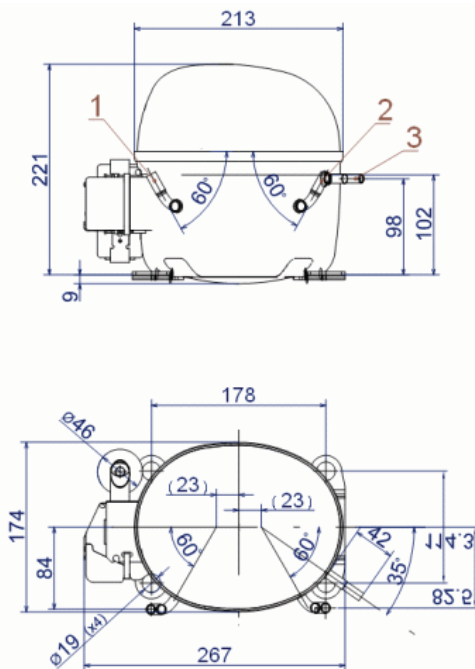
TEST CONDITIONS

	CYCLE C	CYCLE D
Evaporating temp. (°C)	5.0	7.2
Condensing temp. (°C)	55.0	55.0
Liq.t. entering expan. (°C)	55.0	46.0
Ambient t. and return (°C)	32.0	35.0
Tens/Freq (V/Hz)	220V 50Hz	220V 50Hz

ELECTRICAL COMPONENTS

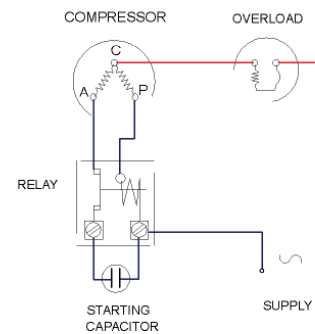
Relay	9660 A 180	MTRP 16
Pick-Up (A)	16,70	16,70
Drop-Out (A)	14,00	14,00
Protector	MRA38128	T0535/G.
Current (A)	17.0	17.0
Time check (seg)	7.5-14	7.5-14
Disc temp. (Open/Close) (°C)	105.0 / 52.0	105.0 / 52.0
Starting capacitor (μF/V)/F/V)	72- 88 / 330	

DIMENSIONS AND ELECTRICAL DIAGRAM



	DESIGNATION	INTERNAL DIAM. (MM)
1	Service	8,1
2	Suction	8,1
3	Discharge	6,5

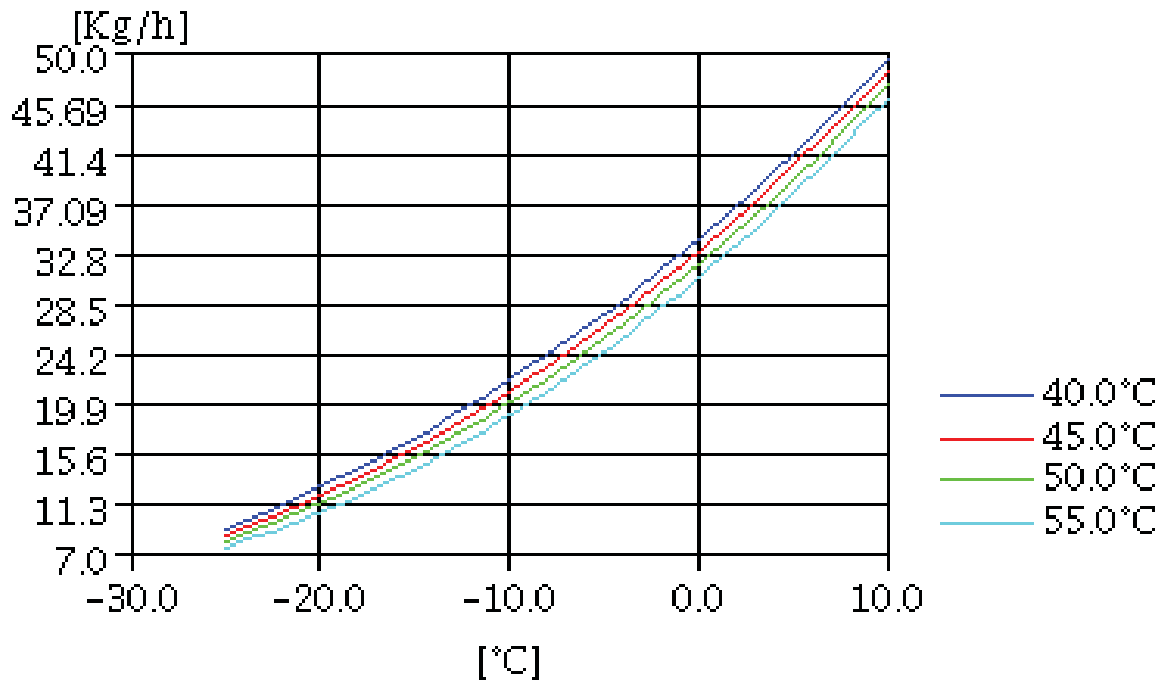
CSIR



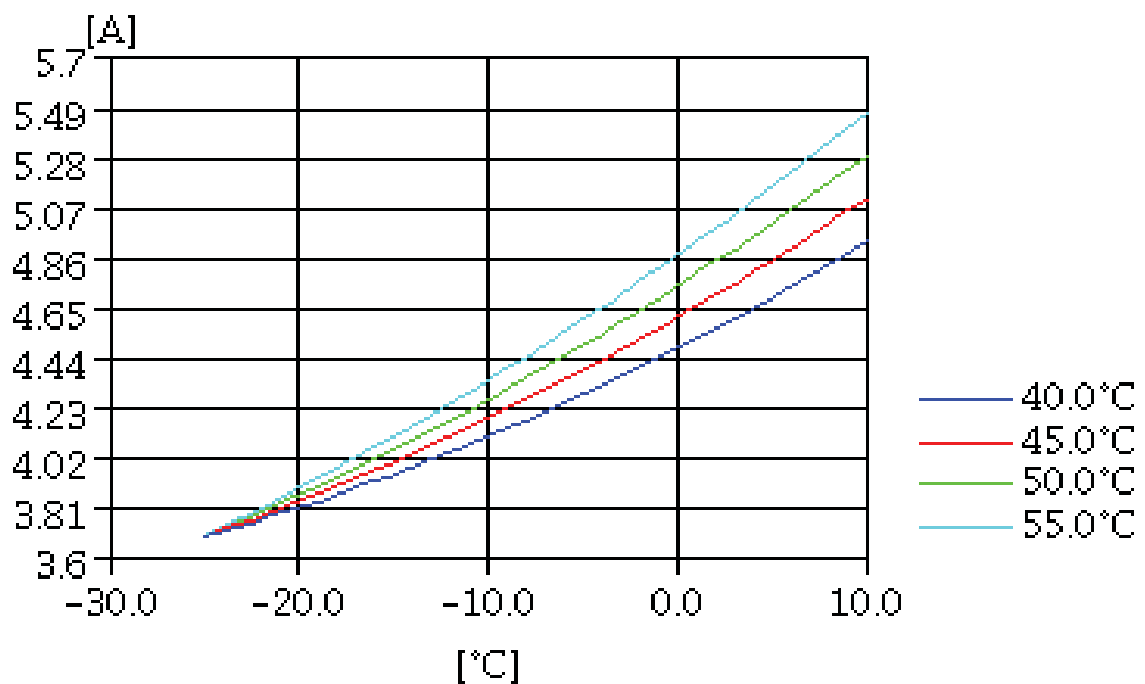
TEST CONDITIONS

Voltage/frequency	220V 50Hz
Ambient t. and return	35 °C
Liq.t. entering expan.	Subcooling 9 K

MASS FLOW



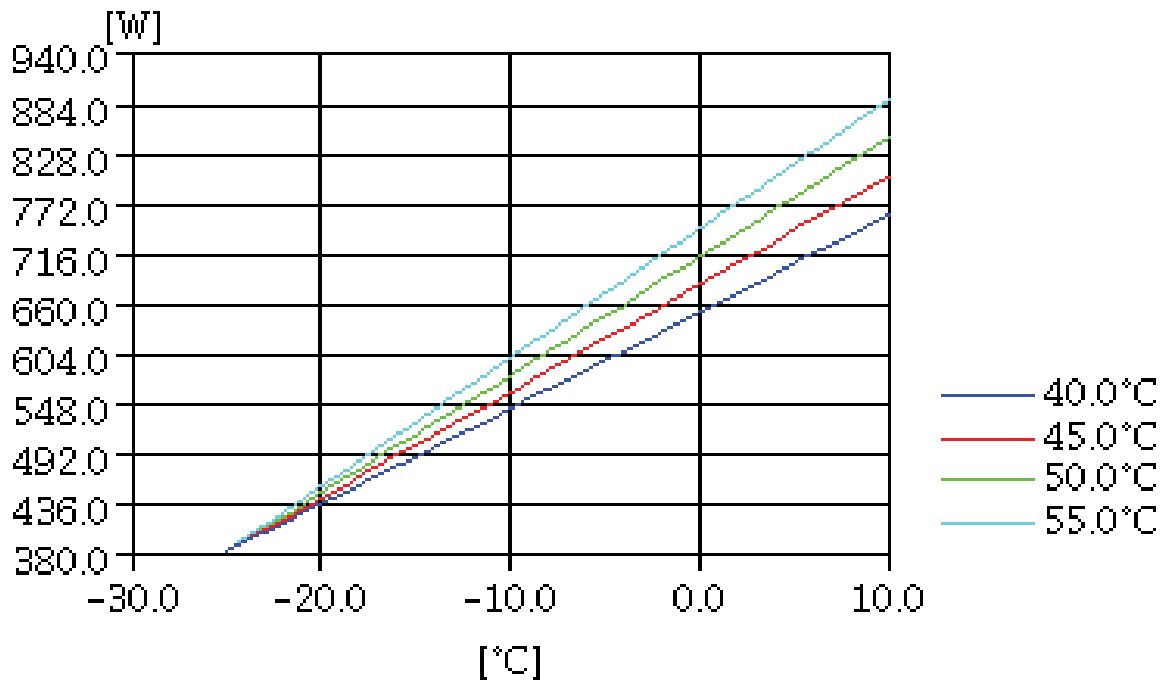
CONSUMPTION



TEST CONDITIONS

Voltage/frequency	220V 50Hz
Ambient t. and return	35 °C
Liq.t. entering expan.	Subcooling 9 K

INPUT W



COOLING CAPACITY

