



SPECIFICATIONS OF COMPRESSOR

Model No: C-SCP400H38A

Output : 12 HP



DALIAN SANYO COMPRESSOR Co.,Ltd.
SANYO Electric Co.,Ltd.

22-Nov-10

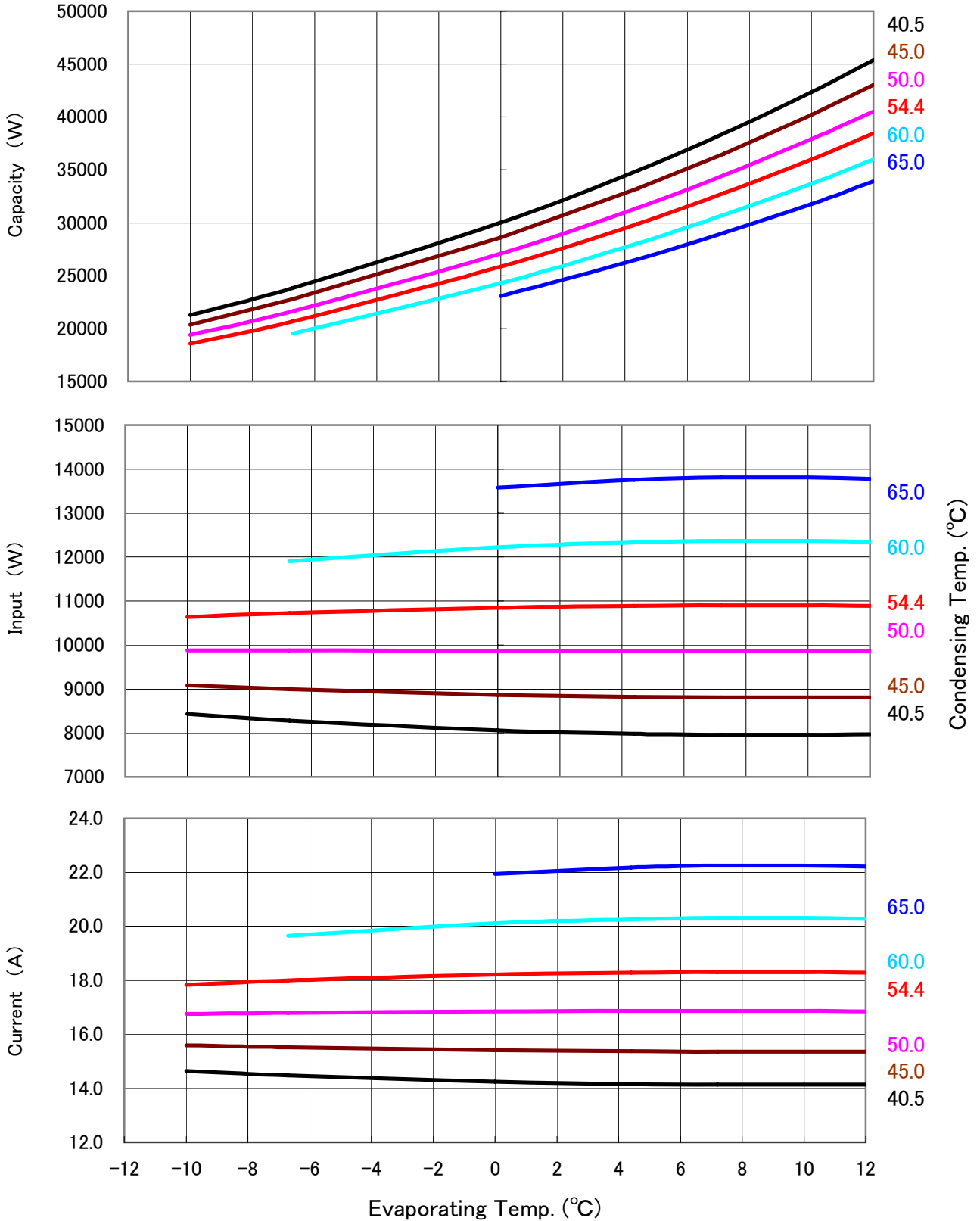
GENERAL SPECIFICATIONS

Model No:		C-SCP400H38A
Application		
Evaporating Temp Range	(°C)	-15.0 ~ 12.0
Refrigerant		R410A
Compressor Cooling		Natural Cooling
Rated Performance		
Capacity	(W)	32800
Input	(W)	10900
Current	(A)	18.3
Sound Level	(dB(A))	68
Rating Conditions		
Power Source		3-PH 50Hz 380V
Evaporating Temp	(°C)	7.2
Condensing Temp	(°C)	54.4
Suction Gas Temp	(°C)	18.3
Liquid Temp	(°C)	46.1
Ambient Temp	(°C)	35.0
Measuring Point of Sound Level		
Distance from the Compressor	(m)	1.0
Compressor		
Design		Hermetic Scroll
Displacement	(cm ³)	131.9
Suction Line Connection	(Φ mm OD)	25.4
Discharge Line Connection	(Φ mm OD)	19.05
Oil	(ml)	2800 (FV68S)
Mass(Incl.Oil)	(kg)	69
Motor		
Type		3-PH Induction Motor(3IR)
Pole		2
Rated Power Source		3-PH 50Hz 380,415V
Voltage Range	(V)	342~456
Starting Current	(A)	96, 102

DALIAN SANYO COMPRESSOR Co.,Ltd.
SANYO Electric Co.,Ltd.

PERFORMANCE CURVE

Code No.	C-SCP400H38A
Power Source	3-PH 50Hz 380V
Condensing Temp.(°C)	40.5, 45, 50, 54.4, 60, 65
Suction Gas Superheat(K)	11.1
Sub Cooled(K)	8.3
Compressor Cooling	Natural Cooling
Refrigerant	R410A



PERFORMANCE DATA

Code No.	C-SCP400H38A
Power Source	3-PH 50Hz 380V
Condensing Temp.(°C)	40.5, 45, 50, 54.4, 60, 65
Suction Gas Superheat(K)	11.1
Sub Cooled(K)	8.3
Compressor Cooling	Natural Cooling
Refrigerant	R410A

Capacity (W)

		Evaporating Temp. (°C)						
		-10	-6.7	0	4.4	7.2	10	12
Condensing Temp. (°C)	40.5	21,292	23,852	30,035	34,943	38,477	42,367	45,385
	45.0	20,367	22,784	28,611	33,226	36,543	40,192	43,019
	50.0	19,382	21,650	27,103	31,411	34,503	37,899	40,527
	54.4	18,554	20,697	25,840	29,895	32,800	35,988	38,453
	60.0		19,547	24,321	28,073	30,758	33,699	35,970
	65.0			23,047	26,549	29,051	31,788	33,900

Input (W)

		Evaporating Temp. (°C)						
		-10	-6.7	0	4.4	7.2	10	12
Condensing Temp. (°C)	40.5	8,436	8,279	8,056	7,979	7,958	7,960	7,975
	45.0	9,088	8,995	8,863	8,816	8,802	8,802	8,809
	50.0	9,881	9,877	9,869	9,864	9,862	9,860	9,858
	54.4	10,640	10,726	10,849	10,890	10,900	10,897	10,888
	60.0		11,908	12,225	12,335	12,364	12,362	12,342
	65.0			13,575	13,757	13,807	13,807	13,776

Current (A)

		Evaporating Temp. (°C)						
		-10	-6.7	0	4.4	7.2	10	12
Condensing Temp. (°C)	40.5	14.63	14.47	14.23	14.15	14.13	14.13	14.14
	45.0	15.59	15.52	15.41	15.37	15.35	15.35	15.36
	50.0	16.75	16.79	16.84	16.85	16.86	16.85	16.85
	54.4	17.84	17.99	18.21	18.28	18.30	18.30	18.28
	60.0		19.64	20.10	20.26	20.30	20.30	20.27
	65.0			21.93	22.18	22.25	22.25	22.21

Coefficients of Polynomial Formula

	Capacity (W)	Input (W)	Current (A)
C1	4.715086E+04	5.293602E+03	8.895449E+00
C2	1.547769E+03	-1.396099E+02	-1.750660E-01
C3	-5.082491E+02	-2.989885E+01	1.799040E-02
C4	2.664290E+01	7.885920E+00	9.736245E-03
C5	-1.268999E+01	2.842792E+00	3.679930E-03
C6	2.129986E+00	2.424108E+00	2.813102E-03
C7	1.595809E-01	-1.669823E-02	-1.648237E-05
C8	-2.177528E-01	-1.569907E-01	-2.018679E-04
C9	1.557839E-06	-1.208668E-06	-3.747111E-10
C10	-4.851992E-06	-2.145765E-06	-2.362064E-09

Note: The polynomial coefficients subject to change without notice.

$$X = C1 + C2*(S) + C3*D + C4*(S^2) + C5*(S*D) + C6*(D^2) + C7*(S^3) + C8*(D*S^2) + C9*(S*D^2) + C10*(D^3)$$

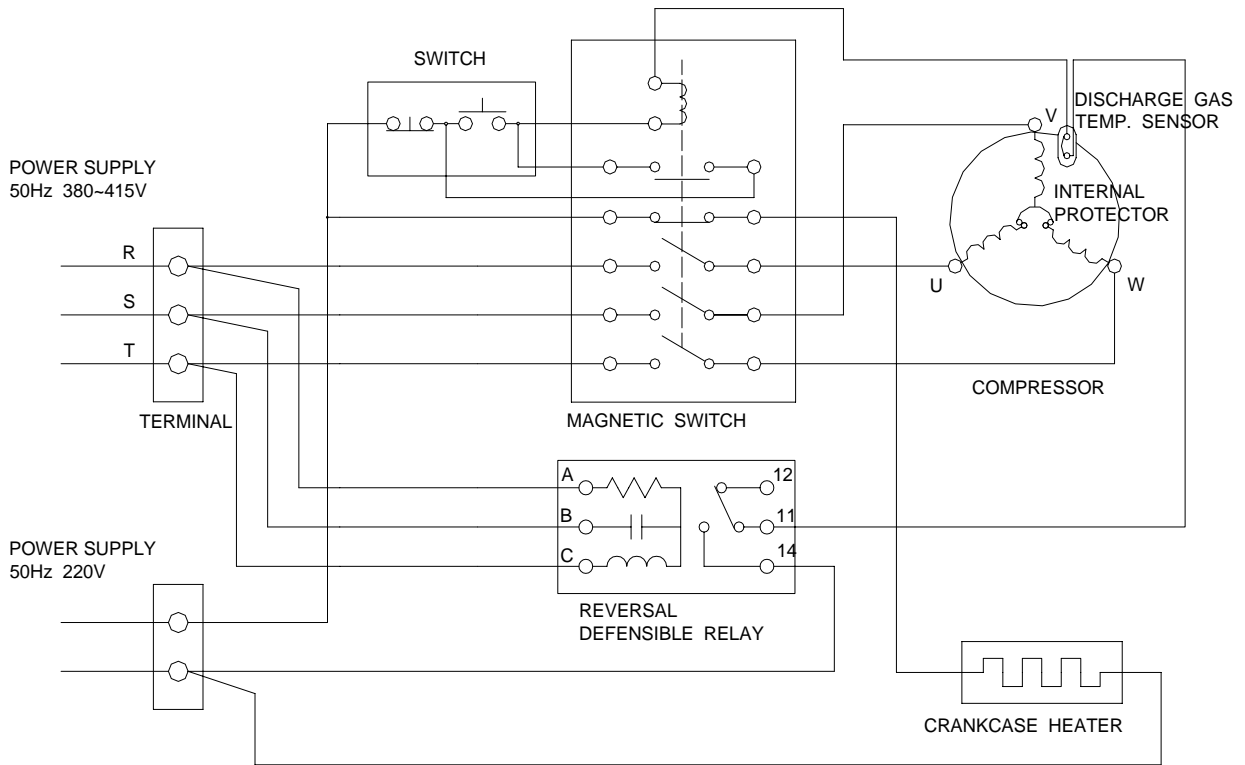
X—CAPACITY(W) OR POWER(W) OR CURRENT(A)

S—EVAPORATING TEMP, °C

D—CONDENSING TEMP, °C

WIRING & MOUNTING SKETCH

WIRING DIAGRAM C-SC Series 3phase



MOUNTING SKETCH

