

SC10CL LBP/MBP Compressor R404A/R507 220-240V 50Hz

Data Sheet (Replaces CF.54.A1.02)

General

| | |
|-------------|---------------|
| Compressor | SC10CL |
| Code number | 104L2523 |

Application

| | | |
|--------------------------------|---------|----------------|
| Application | LBP/MBP | |
| Evaporating temperature range | °C | -35 to -5 |
| Voltage range | V/Hz | 198 - 254 /50 |
| Motor type | CSIR | |
| Max. ambient temperature | °C | 38 |
| Comp. cooling at ambient temp. | 32°C | F ₂ |
| | 38°C | F ₂ |

Design

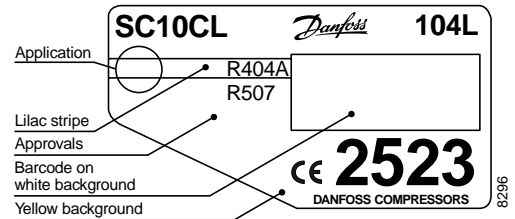
| | | |
|-------------------------------------|-----------------|-------|
| Displacement | cm ³ | 10.29 |
| Oil quantity | cm ³ | 550 |
| Maximum refrigerant charge | g | 1300 |
| Free gas vol. in compressor | cm ³ | 1460 |
| Weight without electrical equipment | kg | 13.1 |

Motor

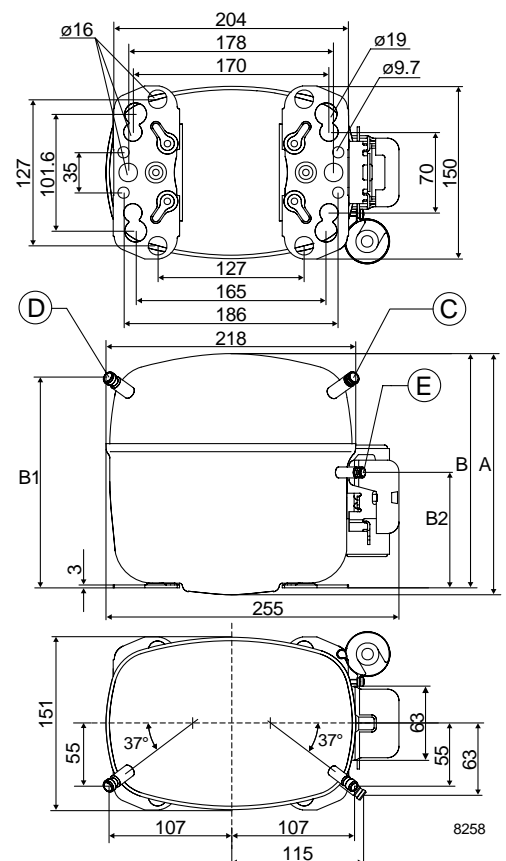
| | | |
|---|---------------|----------|
| Motor size | watt | 315 |
| LRA (rated after 4 sec. UL984) HST | A | 12.6 |
| Cut-in current HST | A | 12.6 |
| Resistance, main and start winding (25°C) | Ω | 6.7/11.8 |
| Approvals | EN 60335-2-34 | |

Dimensions

| | | | |
|-------------------------|------------------|----|-----------|
| Height | mm | A | 209 |
| | | B | 203 |
| | | B1 | 183 |
| | | B2 | 100 |
| Suction connector | location/I.D. mm | C | 8.2 ±0.09 |
| Process connector | location/I.D. mm | D | 6.2 ±0.09 |
| Discharge connector | location/I.D. mm | E | 6.2 ±0.09 |
| Compressors on a pallet | pcs. | 80 | |



- S = Static cooling normally sufficient
- O = Oil cooling
- F₁ = Fan cooling 1.5 m/s
(compressor compartment temperature equal to ambient temperature)
- F₂ = Fan cooling 3.0 m/s necessary



Capacity (EN 12900/CECOMAF)

watt

| | | | | | | | | |
|----------|-----|-----|-----|-------|-----|-----|-----|-----|
| Comp. °C | -35 | -30 | -25 | -23.3 | -20 | -15 | -10 | -5 |
| SC10CL | 168 | 258 | 365 | 405 | 489 | 634 | 800 | 991 |

Capacity (ASHRAE)

watt

| | | | | | | | | |
|----------|-----|-----|-----|-------|-----|-----|-----|------|
| Comp. °C | -35 | -30 | -25 | -23.3 | -20 | -15 | -10 | -5 |
| SC10CL | 195 | 300 | 424 | 470 | 569 | 737 | 932 | 1154 |

Power consumption

watt

| | | | | | | | | |
|----------|-----|-----|-----|-------|-----|-----|-----|-----|
| Comp. °C | -35 | -30 | -25 | -23.3 | -20 | -15 | -10 | -5 |
| SC10CL | 243 | 294 | 350 | 370 | 410 | 471 | 530 | 584 |

Current consumption

A

| | | | | | | | | |
|----------|------|------|------|-------|------|------|------|------|
| Comp. °C | -35 | -30 | -25 | -23.3 | -20 | -15 | -10 | -5 |
| SC10CL | 1.91 | 2.05 | 2.22 | 2.27 | 2.39 | 2.59 | 2.81 | 3.04 |

COP (EN 12900/CECOMAF)

W/W

| | | | | | | | | |
|----------|------|------|------|-------|------|------|------|------|
| Comp. °C | -35 | -30 | -25 | -23.3 | -20 | -15 | -10 | -5 |
| SC10CL | 0.69 | 0.88 | 1.04 | 1.09 | 1.19 | 1.35 | 1.51 | 1.70 |

COP (ASHRAE)

W/W

| | | | | | | | | |
|----------|------|------|------|-------|------|------|------|------|
| Comp. °C | -35 | -30 | -25 | -23.3 | -20 | -15 | -10 | -5 |
| SC10CL | 0.80 | 1.02 | 1.21 | 1.27 | 1.39 | 1.57 | 1.76 | 1.98 |

Test conditions

Condensing temperature

Ambient and suction gas temp.

Liquid temperature

Fan cooling F₂, 220V 50Hz

EN 12900/CECOMAF

45°C

32°C

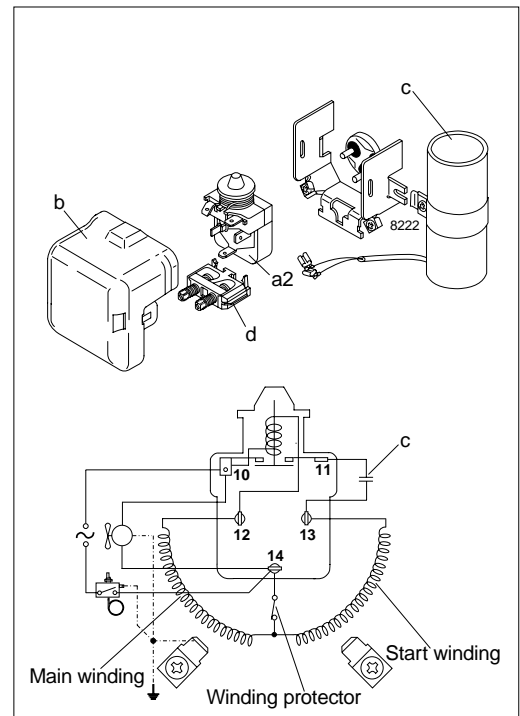
45°C

ASHRAE

45°C

32°C

32°C



Accessories

| Devices | Fig. | SC10CL |
|-------------------------------|------|----------|
| Starting relay | a2 | 117U6003 |
| Cover | b | 103N2009 |
| Starting capacitor 80 µF | c | 117U5017 |
| Cord relief | d | 103N1004 |
| Mounting accessories | | |
| Bolt joint for one compressor | | 118-1917 |
| Bolt joint in quantities | | 118-1918 |
| Snap-on in quantities | | 118-1919 |