

## LT-S(-L) Series Screw Compressor



## LT-S(-L) Series Semi-closed Screw Refrigeration Compressor

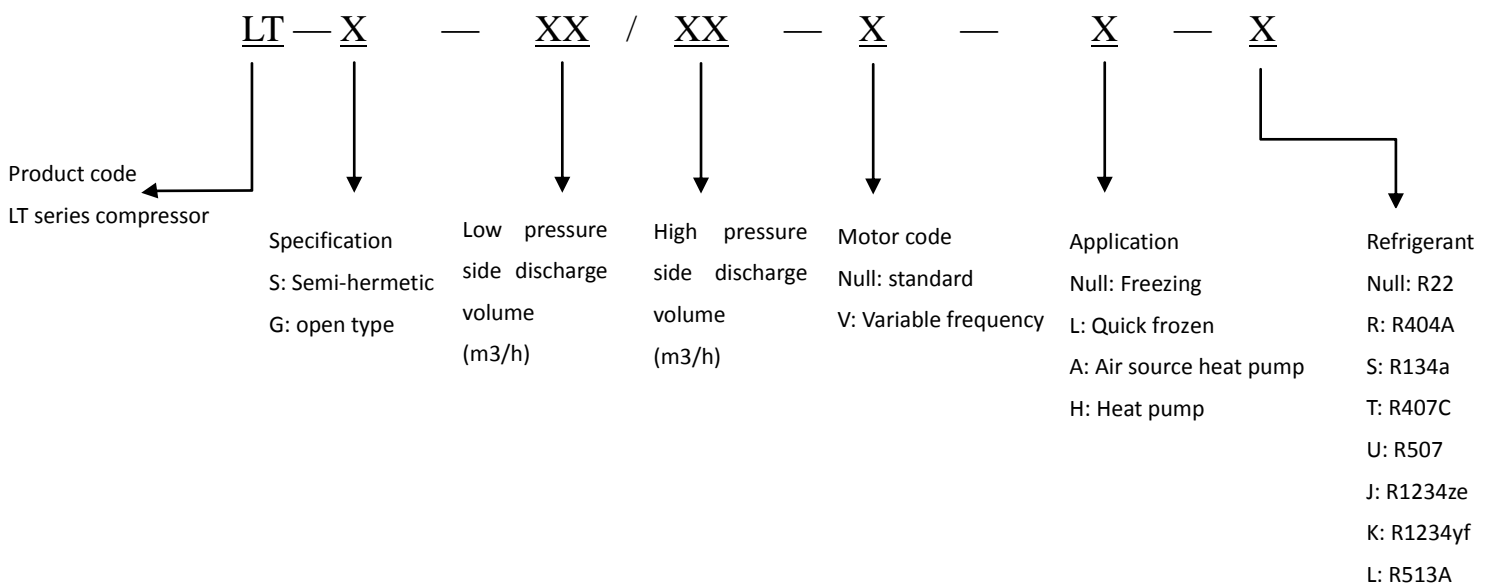
### Product Description

Conventional single stage screw compressor , The minimum Saturated Suction Temp is -40~-50 °C. If you want to evaporate temperature at -60~-65°C, you need two compressor。 Meanwhile, the high pressure ratio working condition brings problems such as Excessive leakage and high discharge temperature during compression. Thus resulting in low reliability and low efficiency, for the single-stage compressor operating in such harsh conditions.

The single-stage two-stage compressor solves the above problems very well. Compared with the two-stage compression system, it has significant advantages such as smaller footprint and simpler control. Compared with single-stage compression systems, it has higher efficiency and higher reliability.

To solve above problems, Hanbell has developed the LT Series compound screw compressor. LT series of products mainly consists of two categories: semi-closed (-S) series and open (-G) series. It can be used for low temperature freezing in different conditions according to the requirements. Its main features is high efficiency and high reliability in large pressure difference and large pressure ratio conditions. It is an elite product which combines the rich technical accumulation and application experience of Hanbell in the field of screw compressors. LT Series can be used in various industries such as process cooling, process cooling, pharmaceutical biochemistry, ship refrigeration, etc. ; When combined with quick-freezing tunnels and quick-freezing warehouses, it can also be applied to other areas such as quick-frozen/freeze-dried products and biochemical freeze-drying of agricultural products, aquatic products and meat products.

### Nomenclature



## Features

### Starting load

Light starting load design, starting load is equivalent to ordinary single-stage compressor, avoiding greater impact on the power grid

### Motor cooling channel

The excellent motor cooling flow channel design ensures reliable cooling of the motor and high efficiency of the compressor, so that the compressor can operate in a very wide range and more adaptable.

### Motor temperature visualization

Motor embedded temperature sensor, PT100 \ PT1000 \ NTC are optional, can directly read motor temperature for motor temperature control and protection

### System component integration design

Equipped with medium pressure check valve, shut-off valve and economizer filter, it makes the protection system of the compressor reliable and simplifies customer system configuration

### Junction box never frosts

The junction box of the LT compressor is arranged in the middle temperature zone, even if it is operated at -65 °C for a long time, there will be no frosting.

### Simple system control

Logical control is simpler and reduces control costs.

### Wider range of applications

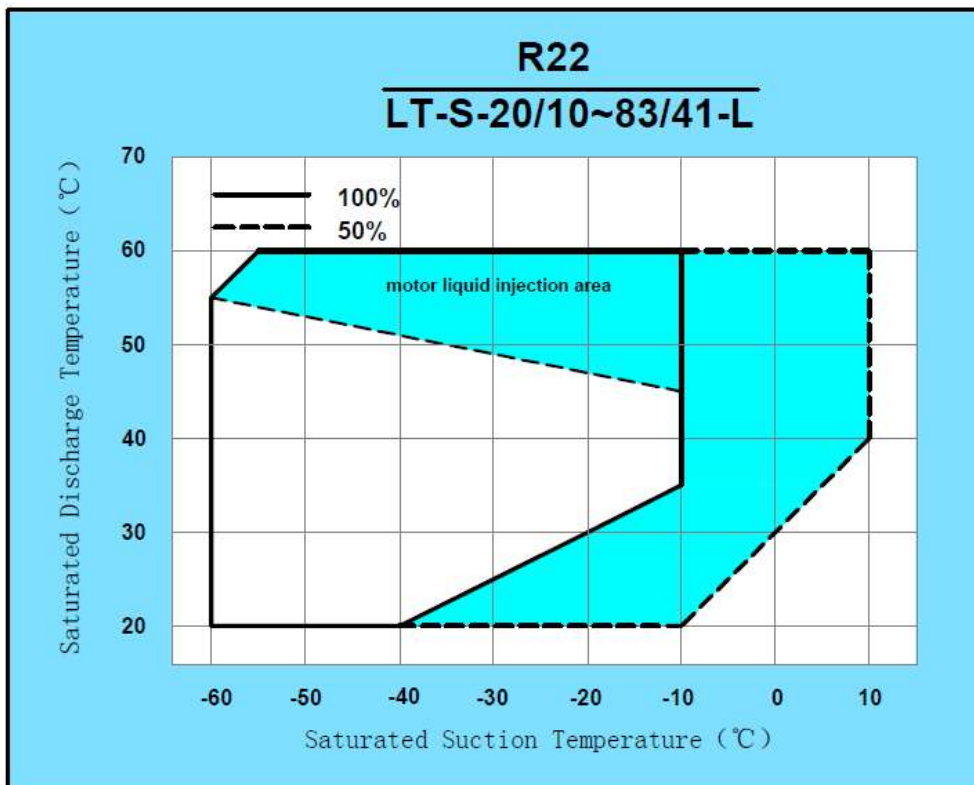
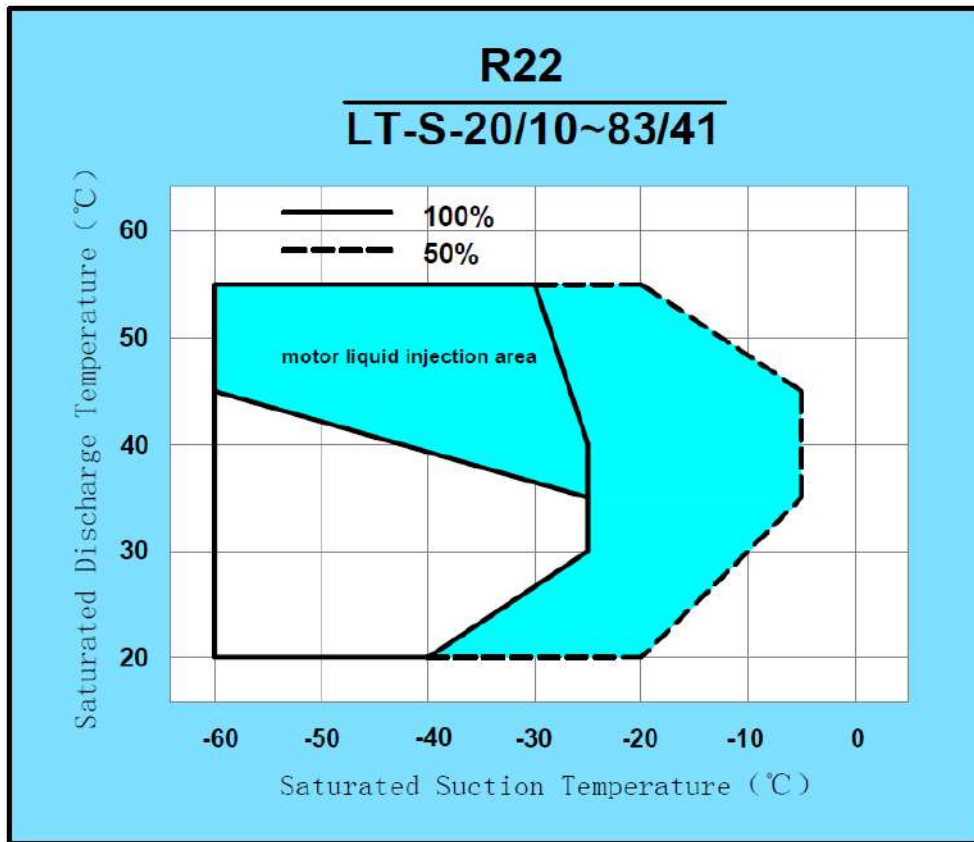
Compared to the LT-S Series, the LT-S-L Series have a wider operating range and can meet the needs of unfrozen freezer, quick-freezing tunnels and industrial refrigeration applications.

## Specification

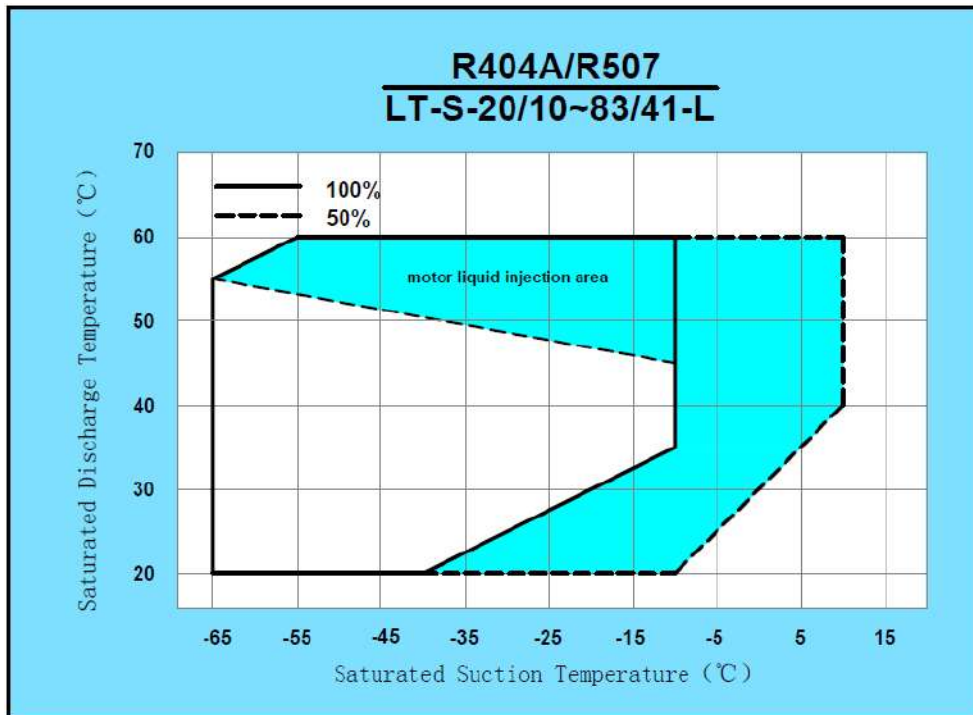
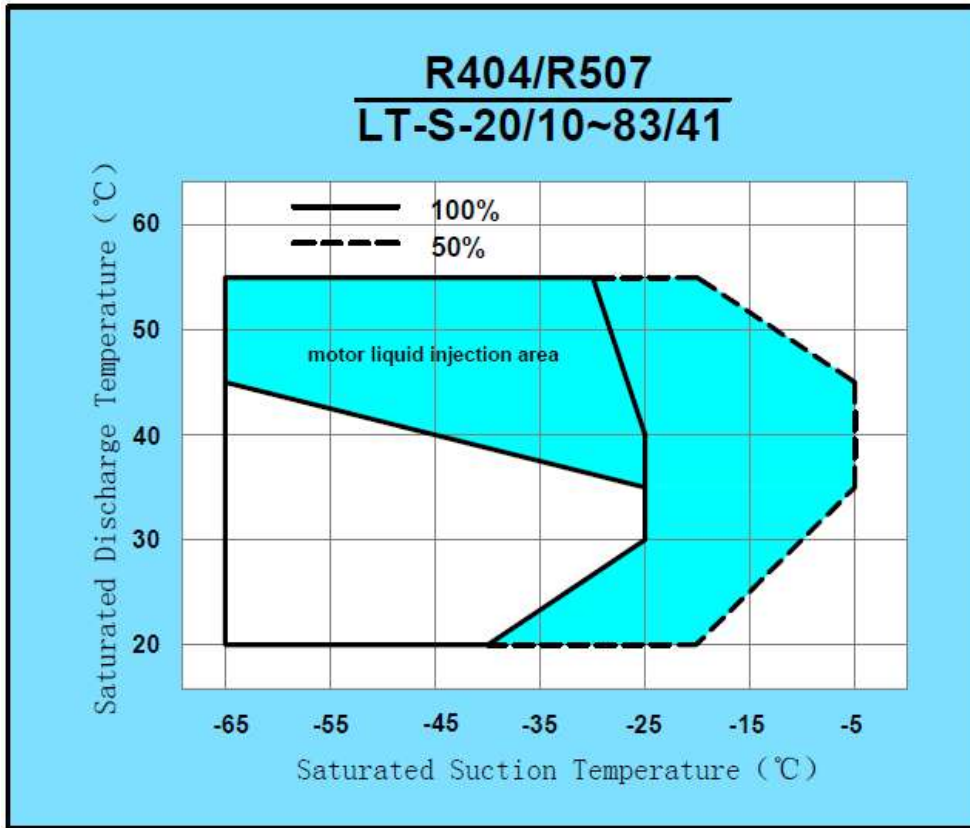
Model	Compressor								
	Low pressure	High pressure	Rotation speed 50Hz r/min	Capacity control		Lubrication method	Noise		
	Displacement	Displacement					Low temperature freezing LT-S	Refrigerated + quick frozen LT-S-L	
	50Hz	50Hz		dB					
m <sup>3</sup> /h	m <sup>3</sup> /h	Step	Stepless						
LT-20/10	224	99	2950	10%/50% 100%	10% ~ 100%	Pressure differential oil supply	80	81	
LT-30/12	316	137					81	/	
LT-45/20	450	207					83	84	
LT-55/25	551	257		84			85		
LT-65/32	651	313		86			88		
LT-83/41	840	396		87			89		
Model	Quality		Motor				Strength test		
	Kg		Type	Starting type	Voltage (V) 50Hz	Insulation grade	Protection	bar	
	Low temperature freezing LT-S	Refrigerated + quick frozen LT-S-L						Low temperature freezing LT-S	Refrigerated + quick frozen LT-S-L
LT-20/10	598	620	3-phase 2-pole induction Squirrel-Cage Motor	star-delta starter	380	F Level	PTC+ PT100 (NTC Optional)	35	
LT-30/12	620	/							
LT-45/20	1158	1200							
LT-55/25	1195	1230							
LT-65/32	1395	1450							
LT-83/41	1430	1490							

Fig 2-3.LT Series Specification

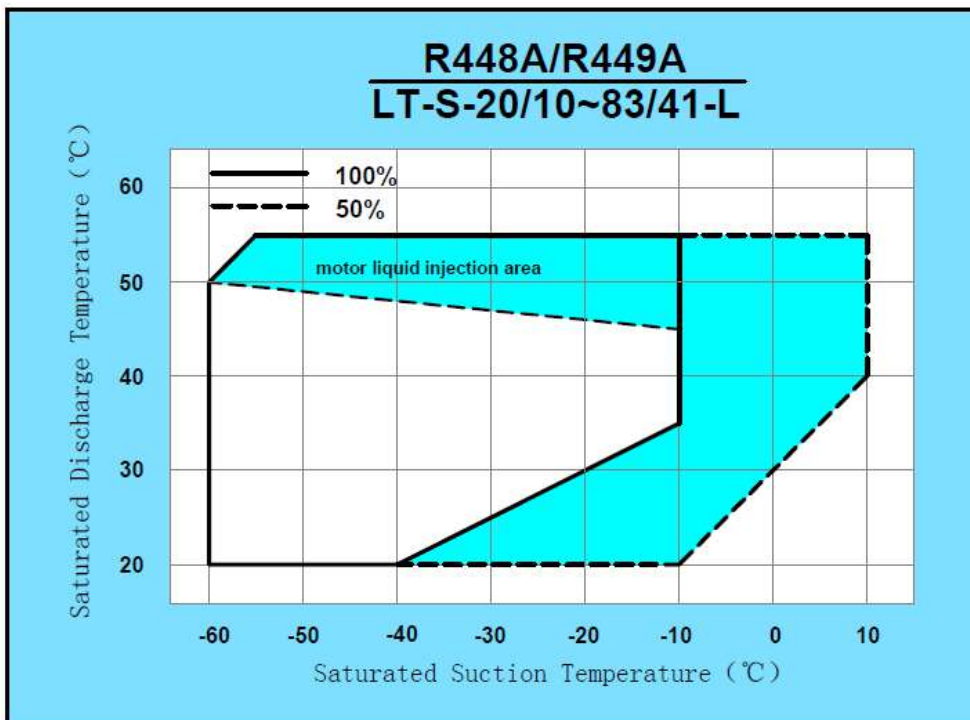
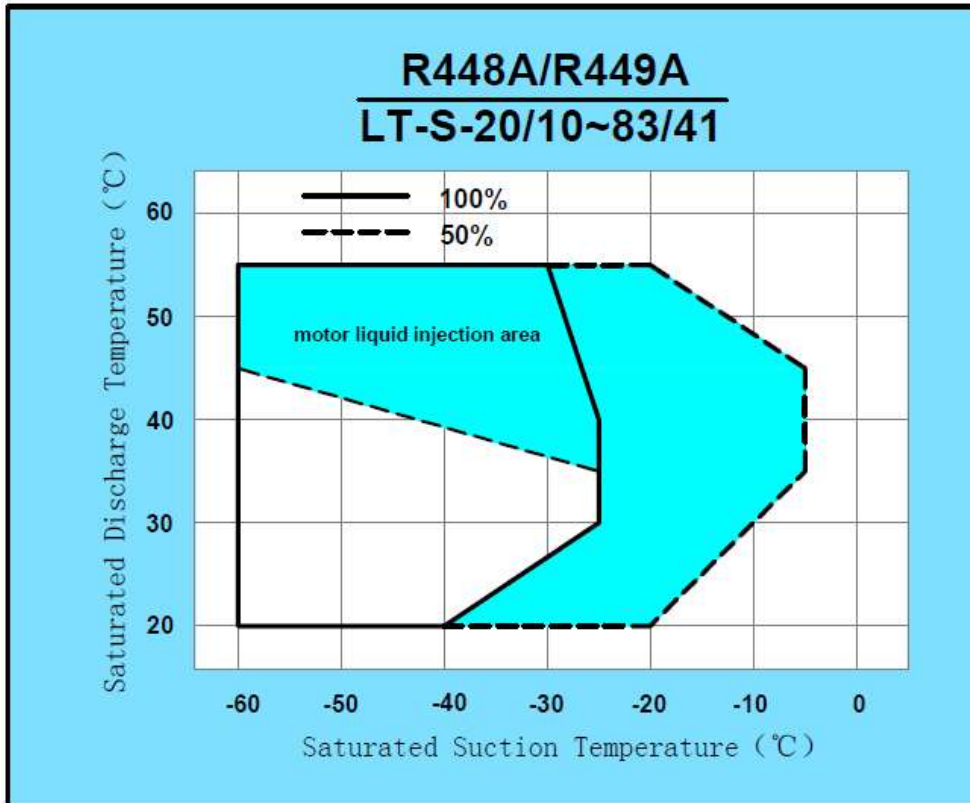
**Operating range**



**R22 Operating range**



**R404A/R507 Operating range**



**R448A/R449A Operating range**

**Performance data sheet (LT-S)**

LT-S-20/10 R22 Performance sheet (including ECO)_380V 50HZ								
Saturated Discharge Temp °C	Saturated Suction Temp °C	-60	-55	-50	-45	-40	-35	-30
30	Cooling capacity(kW)	21.80	28.06	35.55	44.19	56.65	70.49	84.55
	Power(KW)	26.55	27.55	28.56	29.56	30.57	31.57	32.58
	COP	0.82	1.02	1.24	1.49	1.85	2.23	2.60
35	Cooling capacity(kW)	21.64	27.72	35.00	43.21	55.28	68.46	82.35
	Power(KW)	31.55	32.80	34.04	35.29	36.54	37.79	39.04
	COP	0.69	0.85	1.03	1.22	1.51	1.81	2.11
40	Cooling capacity(kW)	21.48	27.38	34.45	42.23	53.78	66.34	80.14
	Power(KW)	36.54	38.04	39.53	41.02	42.51	44.01	45.50
	COP	0.59	0.72	0.87	1.03	1.26	1.51	1.76
45	Cooling capacity(kW)	21.32	27.04	33.90	41.25	52.25	64.05	77.66
	Power(KW)	41.54	43.28	45.01	46.75	48.49	50.22	51.96
	COP	0.51	0.62	0.75	0.88	1.08	1.28	1.49
50	Cooling capacity(kW)	21.16	26.70	33.35	40.27	50.26	61.56	74.99
	Power(KW)	46.54	48.52	50.50	52.48	54.46	56.44	58.42
	COP	0.45	0.55	0.66	0.77	0.92	1.09	1.28
55	Cooling capacity(kW)	21.02	26.35	32.78	39.32	48.54	59.30	72.39
	Power(KW)	51.83	53.78	55.72	57.67	59.62	61.56	63.51
	COP	0.41	0.49	0.59	0.68	0.81	0.96	1.14

LT-S-20/10 R404A Performance sheet (including ECO)_380V 50HZ									
Saturated Discharge Temp °C	Saturated Suction Temp °C	-65	-60	-55	-50	-45	-40	-35	-30
30	Cooling capacity(kW)	13.4	20.3	27.2	33.9	42.7	52.5	64.1	77.2
	Power(KW)	24.9	25.3	28.3	30.5	30.9	29.5	28.6	30.4
	COP	0.54	0.80	0.96	1.11	1.38	1.78	2.24	2.54
35	Cooling capacity(kW)	13.1	19.7	26.3	32.9	41.4	51.1	62.3	74.8
	Power(KW)	26.9	30.2	34.1	36.6	37.3	35.8	35.0	37.0
	COP	0.49	0.65	0.77	0.90	1.11	1.43	1.78	2.02
40	Cooling capacity(kW)	12.9	19.1	25.3	31.9	40.2	49.7	60.6	72.4
	Power(KW)	31.5	35.2	40.0	42.8	44.0	42.4	41.6	43.9
	COP	0.41	0.54	0.63	0.74	0.91	1.17	1.46	1.65
45	Cooling capacity(kW)	12.6	18.5	24.4	30.9	39.0	48.3	58.9	70.0
	Power(KW)	34.1	40.2	46.0	49.2	50.8	49.3	48.8	51.1
	COP	0.37	0.46	0.53	0.63	0.77	0.98	1.21	1.37
50	Cooling capacity(kW)	12.3	17.9	23.4	29.9	37.8	46.9	57.2	67.6
	Power(KW)	37.4	44.2	51.3	55.1	57.8	56.9	56.3	58.9
	COP	0.33	0.41	0.46	0.54	0.65	0.82	1.02	1.15
55	Cooling capacity(kW)	12.0	17.3	22.5	28.8	36.5	45.5	55.5	65.2
	Power(KW)	40.2	48.2	56.4	60.8	64.3	63.8	62.9	65.6
	COP	0.30	0.36	0.40	0.48	0.57	0.71	0.88	0.99



**Performance Data Sheet (LT-S)**

LT-S-30/12 R22 Performance sheet (including ECO)_380V 50HZ								
Saturated Discharge Temp °C	Saturated Suction Temp °C	-60	-55	-50	-45	-40	-35	-30
30	Cooling capacity(kW)	30.28	38.90	49.25	61.55	78.81	97.97	117.4
	Power(KW)	37.08	38.45	39.81	41.17	42.53	43.88	45.23
	COP	0.82	1.02	1.27	1.51	1.85	2.23	2.60
35	Cooling capacity(kW)	30.00	38.34	48.38	60.25	76.99	95.24	114.4
	Power(KW)	44.09	45.79	47.50	49.20	50.89	52.58	54.26
	COP	0.69	0.85	1.06	1.25	1.51	1.81	2.11
40	Cooling capacity(kW)	29.72	37.78	47.51	58.95	74.96	92.39	111.5
	Power(KW)	51.11	53.15	55.20	57.23	59.26	61.29	63.30
	COP	0.58	0.72	0.89	1.05	1.26	1.51	1.76
45	Cooling capacity(kW)	29.44	37.22	46.64	57.65	72.90	89.29	108.1
	Power(KW)	58.13	60.52	62.90	65.28	67.65	70.01	72.36
	COP	0.51	0.62	0.77	0.90	1.08	1.28	1.49
50	Cooling capacity(kW)	29.16	36.66	45.77	56.35	70.19	85.89	104.5
	Power(KW)	65.15	67.89	70.62	73.34	76.05	78.75	81.44
	COP	0.45	0.55	0.67	0.77	0.92	1.09	1.28
55	Cooling capacity(kW)	28.88	36.09	44.87	54.99	67.83	82.82	101.0
	Power(KW)	72.59	75.28	77.98	80.66	83.32	85.97	88.61
	COP	0.41	0.49	0.59	0.68	0.81	0.96	1.14

LT-S-30/12 R404A Performance sheet (including ECO)_380V 50HZ									
Saturated Discharge Temp °C	Saturated Suction Temp °C	-65	-60	-55	-50	-45	-40	-35	-30
30	Cooling capacity(kW)	20.2	30.5	40.8	50.9	64.0	78.8	96.1	115.
	Power(KW)	36.7	37.9	42.3	44.7	45.7	44.3	43.0	45.6
	COP	0.55	0.81	0.97	1.14	1.40	1.78	2.24	2.54
35	Cooling capacity(kW)	19.7	29.6	39.4	49.4	62.2	76.7	93.5	112.
	Power(KW)	39.5	45.3	50.9	53.1	55.1	53.7	52.5	55.5
	COP	0.50	0.65	0.77	0.93	1.13	1.43	1.78	2.02
40	Cooling capacity(kW)	19.3	28.7	38.0	47.8	60.3	74.6	91.0	108.
	Power(KW)	47.2	53.2	59.9	62.9	64.6	63.7	62.5	65.8
	COP	0.41	0.54	0.64	0.76	0.93	1.17	1.46	1.65
45	Cooling capacity(kW)	18.9	27.8	36.6	46.3	58.5	72.5	88.4	105.
	Power(KW)	51.2	61.1	69.2	72.5	74.7	74.0	73.2	76.7
	COP	0.37	0.45	0.53	0.64	0.78	0.98	1.21	1.37
50	Cooling capacity(kW)	18.5	26.8	35.2	44.8	56.7	70.4	85.8	101.
	Power(KW)	56.1	66.6	77.2	82.1	85.9	85.4	84.5	88.4
	COP	0.33	0.40	0.46	0.55	0.66	0.82	1.02	1.15
55	Cooling capacity(kW)	18.1	25.9	33.8	43.3	54.8	68.3	83.2	97.8
	Power(KW)	60.4	71.6	84.6	91.2	96.5	95.7	94.4	98.5
	COP	0.30	0.36	0.40	0.48	0.57	0.71	0.88	0.99

## Performance data sheet (LT-S)

LT-S-45/20 R22 Performance sheet (including ECO)_380V 50HZ								
Saturated Discharge Temp °C	Saturated Suction Temp °C	-60	-55	-50	-45	-40	-35	-30
30	Cooling capacity(kW)	41.50	57.60	76.64	93.26	110.57	129.22	159.54
	Power(KW)	50.80	52.52	54.98	57.10	62.74	67.91	73.03
	COP	0.82	1.10	1.39	1.63	1.76	1.90	2.18
35	Cooling capacity(kW)	41.17	57.25	76.04	92.38	109.53	128.06	157.83
	Power(KW)	57.45	59.55	62.06	64.44	69.33	74.21	79.19
	COP	0.72	0.96	1.23	1.43	1.58	1.73	1.99
40	Cooling capacity(kW)	40.83	56.89	75.45	91.50	108.49	126.90	156.12
	Power(KW)	64.09	66.57	69.14	71.78	75.91	80.51	85.35
	COP	0.64	0.85	1.09	1.27	1.43	1.58	1.83
45	Cooling capacity(kW)	40.50	56.54	74.85	90.63	107.45	125.74	154.40
	Power(KW)	70.73	73.59	76.22	79.11	82.50	86.80	91.50
	COP	0.57	0.77	0.98	1.15	1.30	1.45	1.69
50	Cooling capacity(kW)	40.16	56.19	73.53	89.60	106.20	124.09	152.79
	Power(KW)	76.81	80.22	83.52	86.95	90.62	94.91	99.28
	COP	0.52	0.70	0.88	1.03	1.17	1.31	1.54
55	Cooling capacity(kW)	39.48	55.85	72.21	88.58	104.94	122.44	151.17
	Power(KW)	82.89	86.85	90.82	94.78	98.75	103.02	107.06
	COP	0.48	0.64	0.80	0.93	1.06	1.19	1.41

LT-S-45/20 R404A Performance sheet (including ECO)_380V 50HZ									
Saturated Discharge Temp °C	Saturated Suction Temp °C	-65	-60	-55	-50	-45	-40	-35	-30
30	Cooling capacity(kW)	30.31	45.82	61.34	76.38	96.08	118.2	144.2	173.7
	Power(KW)	55.22	57.28	59.18	61.27	63.64	69.92	75.68	81.38
	COP	0.55	0.80	1.04	1.25	1.51	1.69	1.91	2.13
35	Cooling capacity(kW)	29.68	44.45	59.22	74.10	93.32	115.0	140.3	168.3
	Power(KW)	62.27	65.16	67.47	69.16	71.81	77.26	82.70	88.25
	COP	0.48	0.68	0.88	1.07	1.30	1.49	1.70	1.91
40	Cooling capacity(kW)	29.06	43.08	57.10	71.82	90.56	111.9	136.5	162.9
	Power(KW)	69.32	73.12	75.85	77.05	79.99	84.60	89.72	95.11
	COP	0.42	0.59	0.75	0.93	1.13	1.32	1.52	1.71
45	Cooling capacity(kW)	28.43	41.71	54.98	69.55	87.80	108.7	132.6	157.5
	Power(KW)	76.85	81.19	84.33	84.94	88.16	91.93	96.73	101.9
	COP	0.37	0.51	0.65	0.82	1.00	1.18	1.37	1.55
50	Cooling capacity(kW)	27.81	40.34	52.86	67.27	85.05	105.6	128.7	152.1
	Power(KW)	82.58	86.53	90.68	93.07	96.89	100.9	105.7	110.6
	COP	0.34	0.47	0.58	0.72	0.88	1.05	1.22	1.38
55	Cooling capacity(kW)	27.19	38.96	50.74	64.99	82.29	102.4	124.8	146.8
	Power(KW)	88.79	92.37	96.79	101.2	105.6	110.0	114.8	119.3
	COP	0.31	0.42	0.52	0.64	0.78	0.93	1.09	1.23

## Performance data sheet (LT-S)

LT-S-55/25 R22 Performance sheet (including ECO)_380V 50HZ								
Saturated Discharge Temp °C	Saturated Suction Temp °C	-60	-55	-50	-45	-40	-35	-30
30	Cooling capacity(kW)	46.90	65.09	86.61	105.38	124.95	146.02	180.28
	Power(KW)	55.88	57.78	60.48	62.82	69.02	74.70	80.33
	COP	0.84	1.13	1.43	1.68	1.81	1.95	2.24
35	Cooling capacity(kW)	46.52	64.69	85.93	104.39	123.77	144.71	178.35
	Power(KW)	63.19	65.50	68.27	70.88	76.26	81.63	87.11
	COP	0.74	0.99	1.26	1.47	1.62	1.77	2.05
40	Cooling capacity(kW)	46.14	64.29	85.25	103.40	122.60	143.40	176.41
	Power(KW)	70.50	73.22	76.06	78.95	83.50	88.56	93.88
	COP	0.65	0.88	1.12	1.31	1.47	1.62	1.88
45	Cooling capacity(kW)	45.76	63.89	84.58	102.41	121.42	142.08	174.48
	Power(KW)	77.81	80.95	83.85	87.02	90.75	95.48	100.65
	COP	0.59	0.79	1.01	1.18	1.34	1.49	1.73
50	Cooling capacity(kW)	45.38	63.49	83.09	101.25	120.00	140.22	172.65
	Power(KW)	84.49	88.24	91.87	95.64	99.68	104.40	109.21
	COP	0.54	0.72	0.90	1.06	1.20	1.34	1.58
55	Cooling capacity(kW)	44.62	63.11	81.60	100.09	118.58	138.35	170.82
	Power(KW)	91.18	95.54	99.90	104.26	108.62	113.32	117.77
	COP	0.49	0.66	0.82	0.96	1.09	1.22	1.45

LT-S-55/25 R404A Performance sheet (including ECO)_380V 50HZ									
Saturated Discharge Temp °C	Saturated Suction Temp °C	-65	-60	-55	-50	-45	-40	-35	-30
30	Cooling capacity(kW)	37.04	56.00	74.97	93.35	117.4	144.5	176.3	212.3
	Power(KW)	66.15	68.15	70.42	72.90	75.71	83.19	90.04	96.83
	COP	0.56	0.82	1.06	1.28	1.55	1.74	1.96	2.19
35	Cooling capacity(kW)	36.28	54.33	72.38	90.57	114.0	140.6	171.5	205.7
	Power(KW)	72.56	77.52	80.28	82.29	85.44	91.92	98.39	104.9
	COP	0.50	0.70	0.90	1.10	1.33	1.53	1.74	1.96
40	Cooling capacity(kW)	35.52	52.65	69.79	87.78	110.6	136.8	166.8	199.1
	Power(KW)	82.60	87.00	90.25	91.67	95.17	100.6	106.7	113.1
	COP	0.43	0.61	0.77	0.96	1.16	1.36	1.56	1.76
45	Cooling capacity(kW)	34.75	50.97	67.20	85.00	107.3	132.9	162.1	192.5
	Power(KW)	91.46	96.60	100.3	101.0	104.8	109.3	115.0	121.3
	COP	0.38	0.53	0.67	0.84	1.02	1.22	1.41	1.59
50	Cooling capacity(kW)	33.99	49.30	64.61	82.22	103.9	129.0	157.3	186.0
	Power(KW)	90.84	102.9	107.8	110.7	115.2	120.1	125.8	131.6
	COP	0.37	0.48	0.60	0.74	0.90	1.07	1.25	1.41
55	Cooling capacity(kW)	33.23	47.62	62.02	79.43	100.5	125.2	152.6	179.4
	Power(KW)	97.67	109.9	115.1	120.4	125.6	130.9	136.5	141.9
	COP	0.34	0.43	0.54	0.66	0.80	0.96	1.12	1.26

## Performance data sheet (LT-S)

LT-S-65/32 R22 Performance sheet (including ECO)_380V 50HZ								
Saturated Discharge Temp °C	Saturated Suction Temp °C	-60	-55	-50	-45	-40	-35	-30
30	Cooling capacity(kW)	61.69	85.56	112.59	137.00	162.43	189.83	234.37
	Power(KW)	72.65	75.11	78.63	81.66	89.73	97.12	104.44
	COP	0.85	1.14	1.43	1.68	1.81	1.95	2.24
35	Cooling capacity(kW)	61.55	85.51	111.71	135.71	160.91	188.12	231.85
	Power(KW)	82.15	85.15	88.75	92.15	99.14	106.12	113.24
	COP	0.75	1.00	1.26	1.47	1.62	1.77	2.05
40	Cooling capacity(kW)	61.41	85.46	110.83	134.42	159.38	186.42	229.34
	Power(KW)	91.65	95.19	98.88	102.64	108.56	115.13	122.05
	COP	0.67	0.90	1.12	1.31	1.47	1.62	1.88
45	Cooling capacity(kW)	61.27	85.41	109.95	133.13	157.85	184.71	226.82
	Power(KW)	101.15	105.23	109.00	113.13	117.97	124.13	130.85
	COP	0.61	0.81	1.01	1.18	1.34	1.49	1.73
50	Cooling capacity(kW)	59.64	83.73	108.02	131.63	156.01	182.29	224.45
	Power(KW)	109.84	114.72	119.44	124.34	129.59	135.73	141.98
	COP	0.54	0.73	0.90	1.06	1.20	1.34	1.58
55	Cooling capacity(kW)	58.00	82.04	106.08	130.12	154.16	179.86	222.07
	Power(KW)	118.53	124.20	129.87	135.54	141.21	147.32	153.10
	COP	0.49	0.66	0.82	0.96	1.09	1.22	1.45

LT-S-65/32 R404A Performance sheet (including ECO)_380V 50HZ									
Saturated Discharge Temp °C	Saturated Suction Temp °C	-65	-60	-55	-50	-45	-40	-35	-30
30	Cooling capacity(kW)	43.78	66.19	88.60	110.3	138.7	170.8	208.3	250.9
	Power(KW)	78.96	79.61	82.30	86.15	89.48	98.32	106.4	114.4
	COP	0.55	0.83	1.08	1.28	1.55	1.74	1.96	2.19
35	Cooling capacity(kW)	42.88	64.21	85.54	107.0	134.7	166.2	202.7	243.1
	Power(KW)	85.75	90.02	93.30	97.25	100.9	108.6	116.2	124.0
	COP	0.50	0.71	0.92	1.10	1.33	1.53	1.74	1.96
40	Cooling capacity(kW)	41.97	62.22	82.47	103.7	130.8	161.6	197.1	235.3
	Power(KW)	99.12	100.4	104.3	108.3	112.4	118.9	126.1	133.7
	COP	0.42	0.62	0.79	0.96	1.16	1.36	1.56	1.76
45	Cooling capacity(kW)	41.07	60.24	79.41	100.4	126.8	157.1	191.5	227.6
	Power(KW)	102.6	110.8	115.3	119.4	123.9	129.2	136.0	143.3
	COP	0.40	0.54	0.69	0.84	1.02	1.22	1.41	1.59
50	Cooling capacity(kW)	40.17	58.26	76.35	97.17	122.8	152.5	185.9	219.8
	Power(KW)	118.0	120.3	125.7	130.8	136.2	142.0	148.7	155.5
	COP	0.34	0.48	0.61	0.74	0.90	1.07	1.25	1.41
55	Cooling capacity(kW)	39.27	56.28	73.29	93.88	118.8	148.0	180.3	212.0
	Power(KW)	126.9	129.8	136.0	142.3	148.5	154.7	161.4	167.7
	COP	0.31	0.43	0.54	0.66	0.80	0.96	1.12	1.26

## Performance data sheet (LT-S)

LT-S-83/41 R22 Performance sheet (including ECO)_380V 50HZ								
Saturated Discharge Temp °C	Saturated Suction Temp °C	-60	-55	-50	-45	-40	-35	-30
30	Cooling capacity(kW)	77.55	107.47	142.42	173.99	206.29	241.08	297.64
	Power(KW)	90.81	93.89	98.28	102.08	112.16	121.39	130.54
	COP	0.86	1.16	1.45	1.70	1.84	1.99	2.28
35	Cooling capacity(kW)	76.98	106.81	141.02	172.35	204.35	238.91	294.45
	Power(KW)	94.00	100.00	106.00	112.00	118.00	125.00	132.00
	COP	0.83	1.09	1.34	1.54	1.73	1.91	2.23
40	Cooling capacity(kW)	76.41	106.15	139.62	170.71	202.41	236.75	291.26
	Power(KW)	114.56	118.99	123.59	128.30	135.69	143.91	152.56
	COP	0.68	0.91	1.14	1.33	1.49	1.65	1.91
45	Cooling capacity(kW)	75.84	105.49	138.22	169.08	200.47	234.58	288.06
	Power(KW)	120.00	131.54	136.25	141.41	147.46	155.16	163.56
	COP	0.65	0.82	1.02	1.20	1.36	1.51	1.76
50	Cooling capacity(kW)	75.27	104.83	136.82	167.16	198.13	231.50	285.05
	Power(KW)	137.30	143.39	149.29	155.42	161.99	169.66	177.47
	COP	0.55	0.74	0.92	1.08	1.22	1.36	1.61
55	Cooling capacity(kW)	74.66	104.19	135.42	165.25	195.78	228.42	282.03
	Power(KW)	148.16	155.25	162.34	169.43	176.51	184.15	191.38
	COP	0.50	0.67	0.83	0.98	1.11	1.24	1.47

LT-S-83/41 R404A Performance sheet (including ECO)_380V 50HZ									
Saturated Discharge Temp °C	Saturated Suction Temp °C	-65	-60	-55	-50	-45	-40	-35	-30
30	Cooling capacity(kW)	56.57	85.53	114.4	142.5	179.3	220.7	269.3	324.2
	Power(KW)	97.83	101.2	104.6	109.5	113.8	125.0	135.3	145.5
	COP	0.58	0.84	1.09	1.30	1.58	1.77	1.99	2.23
35	Cooling capacity(kW)	55.41	82.97	110.5	138.3	174.1	214.8	262.0	314.2
	Power(KW)	100.7	104.8	111.5	118.1	124.8	131.5	139.3	147.1
	COP	0.55	0.79	0.99	1.17	1.39	1.63	1.88	2.13
40	Cooling capacity(kW)	54.24	80.41	106.5	134.0	169.0	208.9	254.8	304.1
	Power(KW)	122.8	127.7	132.6	137.8	143.0	151.3	160.4	170.1
	COP	0.44	0.63	0.80	0.97	1.18	1.38	1.59	1.79
45	Cooling capacity(kW)	53.08	77.85	102.6	129.8	163.9	203.0	247.5	294.1
	Power(KW)	129.4	136.5	146.6	151.9	157.6	164.4	173.0	182.3
	COP	0.41	0.57	0.70	0.85	1.04	1.23	1.43	1.61
50	Cooling capacity(kW)	51.91	75.29	98.67	125.5	158.7	197.1	240.3	284.0
	Power(KW)	146.2	153.0	159.8	166.4	173.2	180.6	189.1	197.8
	COP	0.35	0.49	0.62	0.75	0.92	1.09	1.27	1.44
55	Cooling capacity(kW)	50.75	72.73	94.72	121.3	153.6	191.2	233.0	274.0
	Power(KW)	157.3	165.2	173.1	181.0	188.9	196.8	205.3	213.3
	COP	0.32	0.44	0.55	0.67	0.81	0.97	1.14	1.28

## Performance data sheet (LT-S-L)

LT-S-20/10-L R22 Performance sheet (including ECO)_380V 50HZ												
Saturated Discharge Temp °C	Saturated Suction Temp °C	-60	-55	-50	-45	-40	-35	-30	-25	-20	-15	-10
30	Cooling capacity (KW)	21.79	30.25	40.25	48.97	58.06	67.85	83.77	98.81	119.23		
	Power(KW)	27.24	28.16	29.48	30.62	33.64	36.41	39.16	41.71	44.66		
	COP	0.80	1.07	1.37	1.60	1.73	1.86	2.14	2.37	2.67		
35	Cooling capacity (KW)	21.62	30.06	39.93	48.51	57.52	67.24	82.88	97.85	118.00	137.73	160.20
	Power(KW)	30.80	31.93	33.28	34.55	37.17	39.79	42.46	45.05	48.28	51.29	54.30
	COP	0.70	0.94	1.20	1.40	1.55	1.69	1.95	2.17	2.44	2.69	2.95
40	Cooling capacity (KW)	21.44	29.87	39.62	48.05	56.97	66.63	81.98	96.90	116.77	135.91	158.70
	Power(KW)	34.37	35.69	37.07	38.49	40.70	43.17	45.76	48.39	51.89	54.90	58.09
	COP	0.62	0.84	1.07	1.25	1.40	1.54	1.79	2.00	2.25	2.48	2.73
45	Cooling capacity (KW)	21.26	29.69	39.30	47.59	56.42	66.03	81.08	95.95	115.54	134.09	157.20
	Power(KW)	37.93	39.46	40.87	42.42	44.23	46.54	49.06	51.73	55.51	58.51	61.89
	COP	0.56	0.75	0.96	1.12	1.28	1.42	1.65	1.85	2.08	2.29	2.54
50	Cooling capacity (KW)	21.09	29.50	38.61	47.05	55.76	65.16	80.23	95.14	114.27	132.88	155.77
	Power(KW)	41.19	43.01	44.78	46.62	48.59	50.89	53.23	55.73	58.89	61.68	65.27
	COP	0.51	0.69	0.86	1.01	1.15	1.28	1.51	1.71	1.94	2.15	2.39
55	Cooling capacity (KW)	20.73	29.33	37.92	46.51	55.11	64.29	79.38	94.34	113.01	131.68	154.33
	Power(KW)	44.44	46.57	48.70	50.82	52.95	55.24	57.41	59.73	62.27	64.85	68.66
	COP	0.47	0.63	0.78	0.92	1.04	1.16	1.38	1.58	1.81	2.03	2.25
60	Cooling capacity (KW)			37.23	45.97	54.45	63.42	78.53	93.53	111.74	130.47	152.90
	Power(KW)			52.61	55.02	57.31	59.59	61.58	63.74	65.65	68.02	72.05
	COP			0.71	0.84	0.95	1.06	1.28	1.47	1.70	1.92	2.12

★ For ECO load data, please download the HANBELL model selection software, and select according to design conditions.

## Performance data sheet (LT-S-L)

LT-S-20/10-L R404A Performance sheet (including ECO)_380V 50HZ												
Saturated Discharge Temp °C	Saturated Suction Temp °C	-60	-55	-50	-45	-40	-35	-30	-25	-20	-15	-10
30	Cooling capacity (KW)	15.87	23.99	32.11	39.99	50.30	61.91	75.54	90.96	107.81	125.66	
	Power(KW)	29.22	30.31	31.31	32.42	33.67	37.00	40.04	43.06	45.87	49.37	
	COP	0.54	0.79	1.03	1.23	1.49	1.67	1.89	2.11	2.35	2.55	
35	Cooling capacity (KW)	15.54	23.27	31.00	38.80	48.86	60.26	73.50	88.14	104.63	122.48	141.80
	Power(KW)	32.95	34.47	35.70	36.59	38.00	40.88	43.76	46.69	49.54	53.32	57.15
	COP	0.47	0.68	0.87	1.06	1.29	1.47	1.68	1.89	2.11	2.30	2.48
40	Cooling capacity (KW)	15.21	22.56	29.90	37.61	47.42	58.60	71.47	85.32	101.44	119.30	138.57
	Power(KW)	36.68	38.69	40.13	40.77	42.32	44.76	47.47	50.32	53.21	57.26	60.99
	COP	0.41	0.58	0.74	0.92	1.12	1.31	1.51	1.70	1.91	2.08	2.27
45	Cooling capacity (KW)	14.89	21.84	28.79	36.41	45.97	56.95	69.44	82.50	98.26	116.12	135.34
	Power(KW)	40.66	42.96	44.62	44.94	46.65	48.64	51.18	53.95	56.89	61.18	64.79
	COP	0.37	0.51	0.65	0.81	0.99	1.17	1.36	1.53	1.73	1.90	2.09
50	Cooling capacity (KW)	14.56	21.12	27.68	35.22	44.53	55.30	67.41	79.68	95.07	112.94	132.11
	Power(KW)	43.69	45.78	47.98	49.25	51.27	53.43	55.96	58.54	61.29	64.84	68.07
	COP	0.33	0.46	0.58	0.72	0.87	1.03	1.20	1.36	1.55	1.74	1.94
55	Cooling capacity (KW)	14.23	20.40	26.57	34.03	43.08	53.65	65.38	76.86	91.89	109.76	128.88
	Power(KW)	46.98	48.87	51.21	53.55	55.89	58.22	60.74	63.13	65.69	68.47	71.31
	COP	0.30	0.42	0.52	0.64	0.77	0.92	1.08	1.22	1.40	1.60	1.81
60	Cooling capacity (KW)			25.46	32.84	41.64	51.99	63.35	74.04	88.71	106.58	125.66
	Power(KW)			55.72	57.85	60.51	63.02	65.52	67.71	70.09	72.10	74.52
	COP			0.46	0.57	0.69	0.83	0.97	1.09	1.27	1.48	1.69

★ For ECO load data, please download the HANBELL model selection software, and select according to design conditions.

## Performance data sheet (LT-S-L)

LT-S-45/20-L R22 Performance sheet (including ECO)_380V 50HZ												
Saturated Discharge Temp °C	Saturated Suction Temp °C	-60	-55	-50	-45	-40	-35	-30	-25	-20	-15	-10
30	Cooling capacity (KW)	41.50	57.60	76.64	93.26	110.57	129.22	159.54	188.17	227.07	--	--
	Power(KW)	50.80	52.52	54.98	57.10	62.74	67.91	73.03	77.79	83.29	--	--
	COP	0.82	1.10	1.39	1.63	1.76	1.90	2.18	2.42	2.73	--	--
35	Cooling capacity (KW)	41.17	57.25	76.04	92.38	109.53	128.06	157.83	186.35	224.72	262.30	305.09
	Power(KW)	57.45	59.55	62.06	64.44	69.33	74.21	79.19	84.02	90.03	95.65	101.27
	COP	0.72	0.96	1.23	1.43	1.58	1.73	1.99	2.22	2.50	2.74	3.01
40	Cooling capacity (KW)	40.83	56.89	75.45	91.50	108.49	126.90	156.12	184.54	222.38	258.83	302.23
	Power(KW)	64.09	66.57	69.14	71.78	75.91	80.51	85.35	90.25	96.78	102.38	108.34
	COP	0.64	0.85	1.09	1.27	1.43	1.58	1.83	2.04	2.30	2.53	2.79
45	Cooling capacity (KW)	40.50	56.54	74.85	90.63	107.45	125.74	154.40	182.72	220.04	255.36	299.37
	Power(KW)	70.73	73.59	76.22	79.11	82.50	86.80	91.50	96.48	103.53	109.12	115.42
	COP	0.57	0.77	0.98	1.15	1.30	1.45	1.69	1.89	2.13	2.34	2.59
50	Cooling capacity (KW)	40.16	56.19	73.53	89.60	106.20	124.09	152.79	181.19	217.62	253.06	296.64
	Power(KW)	76.81	80.22	83.52	86.95	90.62	94.91	99.28	103.94	109.83	115.03	121.74
	COP	0.52	0.70	0.88	1.03	1.17	1.31	1.54	1.74	1.98	2.20	2.44
55	Cooling capacity (KW)	39.48	55.85	72.21	88.58	104.94	122.44	151.17	179.66	215.21	250.76	293.91
	Power(KW)	82.89	86.85	90.82	94.78	98.75	103.02	107.06	111.41	116.13	120.94	128.06
	COP	0.48	0.64	0.80	0.93	1.06	1.19	1.41	1.61	1.85	2.07	2.30
60	Cooling capacity (KW)	--	--	70.90	87.55	103.69	120.79	149.55	178.13	212.79	248.46	291.17
	Power(KW)	--	--	98.12	102.62	106.87	111.13	114.84	118.87	122.43	126.86	134.37
	COP	--	--	0.72	0.85	0.97	1.09	1.30	1.50	1.74	1.96	2.17

★ For ECO load data, please download the HANBELL model selection software, and select according to design conditions.



## Performance data sheet (LT-S-L)

LT-S-45/20-L R404A Performance sheet (including ECO)_380V 50HZ													
Saturated Discharge Temp °C	Saturated Suction Temp °C	-65	-60	-55	-50	-45	-40	-35	-30	-25	-20	-15	-10
30	Cooling capacity (KW)	30.31	45.82	61.34	76.38	96.08	118.24	144.27	173.72	205.91	240.00	--	--
	Power(KW)	55.22	57.28	59.18	61.27	63.64	69.92	75.68	81.38	86.69	93.31	--	--
	COP	0.55	0.80	1.04	1.25	1.51	1.69	1.91	2.13	2.38	2.57	--	--
35	Cooling capacity (KW)	29.68	44.45	59.22	74.10	93.32	115.09	140.39	168.34	199.83	233.93	270.83	317.03
	Power(KW)	62.27	65.16	67.47	69.16	71.81	77.26	82.70	88.25	93.63	100.77	108.02	112.85
	COP	0.48	0.68	0.88	1.07	1.30	1.49	1.70	1.91	2.13	2.32	2.51	2.81
40	Cooling capacity (KW)	29.06	43.08	57.10	71.82	90.56	111.93	136.51	162.95	193.75	227.85	264.66	308.26
	Power(KW)	69.32	73.12	75.85	77.05	79.99	84.60	89.72	95.11	100.57	108.22	115.27	120.73
	COP	0.42	0.59	0.75	0.93	1.13	1.32	1.52	1.71	1.93	2.11	2.30	2.55
45	Cooling capacity (KW)	28.43	41.71	54.98	69.55	87.80	108.77	132.63	157.57	187.67	221.78	258.50	299.49
	Power(KW)	76.85	81.19	84.33	84.94	88.16	91.93	96.73	101.97	107.52	115.64	122.45	128.62
	COP	0.37	0.51	0.65	0.82	1.00	1.18	1.37	1.55	1.75	1.92	2.11	2.33
50	Cooling capacity (KW)	27.81	40.34	52.86	67.27	85.05	105.62	128.75	152.18	181.58	215.71	252.33	290.73
	Power(KW)	82.58	86.53	90.68	93.07	96.89	100.99	105.77	110.64	115.83	122.54	128.65	135.66
	COP	0.34	0.47	0.58	0.72	0.88	1.05	1.22	1.38	1.57	1.76	1.96	2.14
55	Cooling capacity (KW)	27.19	38.96	50.74	64.99	82.29	102.46	124.87	146.80	175.50	209.63	246.16	281.96
	Power(KW)	88.79	92.37	96.79	101.21	105.62	110.04	114.80	119.31	124.15	129.42	134.78	142.70
	COP	0.31	0.42	0.52	0.64	0.78	0.93	1.09	1.23	1.41	1.62	1.83	1.98
60	Cooling capacity (KW)	--	--	48.62	62.71	79.53	99.30	120.99	141.41	169.42	203.56	239.99	273.19
	Power(KW)	--	--	105.31	109.34	114.36	119.10	123.84	127.98	132.46	136.27	140.84	149.74
	COP	--	--	0.46	0.57	0.70	0.83	0.98	1.10	1.28	1.49	1.70	1.82

★ For ECO load data, please download the HANBELL model selection software, and select according to design conditions.

## Performance data sheet (LT-S-L)

LT-S-55/25-L R22 Performance sheet (including ECO)_380V 50HZ												
Saturated Discharge Temp °C	Saturated Suction Temp °C	-60	-55	-50	-45	-40	-35	-30	-25	-20	-15	-10
30	Cooling capacity (KW)	46.90	65.09	86.61	105.38	124.95	146.02	180.28	212.63	256.58	--	--
	Power(KW)	55.88	57.78	60.48	62.82	69.02	74.70	80.33	85.57	91.62	--	--
	COP	0.84	1.13	1.43	1.68	1.81	1.95	2.24	2.48	2.80	--	--
35	Cooling capacity (KW)	46.52	64.69	85.93	104.39	123.77	144.71	178.35	210.58	253.94	296.40	344.75
	Power(KW)	63.19	65.50	68.27	70.88	76.26	81.63	87.11	92.42	99.04	105.22	111.39
	COP	0.74	0.99	1.26	1.47	1.62	1.77	2.05	2.28	2.56	2.82	3.09
40	Cooling capacity (KW)	46.14	64.29	85.25	103.40	122.60	143.40	176.41	208.53	251.29	292.48	341.52
	Power(KW)	70.50	73.22	76.06	78.95	83.50	88.56	93.88	99.28	106.46	112.62	119.18
	COP	0.65	0.88	1.12	1.31	1.47	1.62	1.88	2.10	2.36	2.60	2.87
45	Cooling capacity (KW)	45.76	63.89	84.58	102.41	121.42	142.08	174.48	206.48	248.65	288.55	338.29
	Power(KW)	77.81	80.95	83.85	87.02	90.75	95.48	100.65	106.13	113.88	120.03	126.96
	COP	0.59	0.79	1.01	1.18	1.34	1.49	1.73	1.95	2.18	2.40	2.66
50	Cooling capacity (KW)	45.38	63.49	83.09	101.25	120.00	140.22	172.65	204.75	245.92	285.96	335.20
	Power(KW)	84.49	88.24	91.87	95.64	99.68	104.40	109.21	114.34	120.82	126.53	133.91
	COP	0.54	0.72	0.90	1.06	1.20	1.34	1.58	1.79	2.04	2.26	2.50
55	Cooling capacity (KW)	44.62	63.11	81.60	100.09	118.58	138.35	170.82	203.02	243.18	283.36	332.12
	Power(KW)	91.18	95.54	99.90	104.26	108.62	113.32	117.77	122.55	127.75	133.04	140.86
	COP	0.49	0.66	0.82	0.96	1.09	1.22	1.45	1.66	1.90	2.13	2.36
60	Cooling capacity (KW)	--	--	80.11	98.93	117.17	136.49	169.00	201.28	240.45	280.77	329.03
	Power(KW)	--	--	107.93	112.88	117.56	122.24	126.33	130.75	134.68	139.54	147.81
	COP	--	--	0.74	0.88	1.00	1.12	1.34	1.54	1.79	2.01	2.23

★ For ECO load data, please download the HANBELL model selection software, and select according to design conditions.

## Performance data sheet (LT-S-L)

LT-S-55/25-L R404A Performance sheet (including ECO)_380V 50HZ													
Saturated Discharge Temp °C	Saturated Suction Temp °C	-65	-60	-55	-50	-45	-40	-35	-30	-25	-20	-15	-10
30	Cooling capacity (KW)	37.04	56.00	74.97	93.35	117.43	144.52	176.33	212.33	251.67	291.78	--	--
	Power(KW)	66.15	68.15	70.42	72.90	75.71	83.19	90.04	96.83	103.14	110.43	--	--
	COP	0.56	0.82	1.06	1.28	1.55	1.74	1.96	2.19	2.44	2.64	--	--
35	Cooling capacity (KW)	36.28	54.33	72.38	90.57	114.06	140.66	171.59	205.74	244.24	284.67	326.63	387.49
	Power(KW)	72.56	77.52	80.28	82.29	85.44	91.92	98.39	104.99	111.40	119.37	126.82	134.26
	COP	0.50	0.70	0.90	1.10	1.33	1.53	1.74	1.96	2.19	2.38	2.58	2.89
40	Cooling capacity (KW)	35.52	52.65	69.79	87.78	110.69	136.80	166.84	199.16	236.80	277.55	320.19	376.77
	Power(KW)	82.60	87.00	90.25	91.67	95.17	100.65	106.74	113.16	119.66	128.32	135.75	143.65
	COP	0.43	0.61	0.77	0.96	1.16	1.36	1.56	1.76	1.98	2.16	2.36	2.62
45	Cooling capacity (KW)	34.75	50.97	67.20	85.00	107.31	132.94	162.10	192.58	229.37	270.44	313.75	366.05
	Power(KW)	91.46	96.60	100.33	101.06	104.89	109.38	115.09	121.32	127.92	137.27	144.68	153.03
	COP	0.38	0.53	0.67	0.84	1.02	1.22	1.41	1.59	1.79	1.97	2.17	2.39
50	Cooling capacity (KW)	33.99	49.30	64.61	82.22	103.94	129.09	157.36	186.00	221.94	263.33	307.30	355.33
	Power(KW)	90.84	102.95	107.89	110.74	115.28	120.15	125.84	131.64	137.82	145.62	152.52	161.41
	COP	0.37	0.48	0.60	0.74	0.90	1.07	1.25	1.41	1.61	1.81	2.01	2.20
55	Cooling capacity (KW)	33.23	47.62	62.02	79.43	100.57	125.23	152.62	179.42	214.50	256.22	300.86	344.61
	Power(KW)	97.67	109.90	115.16	120.41	125.67	130.93	136.59	141.95	147.71	153.98	160.36	169.78
	COP	0.34	0.43	0.54	0.66	0.80	0.96	1.12	1.26	1.45	1.66	1.88	2.03
60	Cooling capacity (KW)	--	--	59.43	76.65	97.20	121.37	147.88	172.84	207.07	249.11	294.42	333.89
	Power(KW)	--	--	115.84	130.09	136.06	141.70	147.34	152.27	157.60	162.33	168.19	178.16
	COP	--	--	0.51	0.59	0.71	0.86	1.00	1.14	1.31	1.53	1.75	1.87

★ For ECO load data, please download the HANBELL model selection software, and select according to design conditions.

## Performance data sheet (LT-S-L)

LT-S-65/32-L R22 Performance sheet (including ECO)_380V 50HZ												
Saturated Discharge Temp °C	Saturated Suction Temp °C	-60	-55	-50	-45	-40	-35	-30	-25	-20	-15	-10
30	Cooling capacity (KW)	37.04	56.00	74.97	93.35	117.43	144.52	176.33	212.33	251.67	291.78	--
	Power(KW)	66.15	68.15	70.42	72.90	75.71	83.19	90.04	96.83	103.14	110.43	--
	COP	0.56	0.82	1.06	1.28	1.55	1.74	1.96	2.19	2.44	2.64	--
35	Cooling capacity (KW)	36.28	54.33	72.38	90.57	114.06	140.66	171.59	205.74	244.24	284.67	326.63
	Power(KW)	72.56	77.52	80.28	82.29	85.44	91.92	98.39	104.99	111.40	119.37	126.82
	COP	0.50	0.70	0.90	1.10	1.33	1.53	1.74	1.96	2.19	2.38	2.58
40	Cooling capacity (KW)	35.52	52.65	69.79	87.78	110.69	136.80	166.84	199.16	236.80	277.55	320.19
	Power(KW)	82.60	87.00	90.25	91.67	95.17	100.65	106.74	113.16	119.66	128.32	135.75
	COP	0.43	0.61	0.77	0.96	1.16	1.36	1.56	1.76	1.98	2.16	2.36
45	Cooling capacity (KW)	34.75	50.97	67.20	85.00	107.31	132.94	162.10	192.58	229.37	270.44	313.75
	Power(KW)	91.46	96.60	100.33	101.06	104.89	109.38	115.09	121.32	127.92	137.27	144.68
	COP	0.38	0.53	0.67	0.84	1.02	1.22	1.41	1.59	1.79	1.97	2.17
50	Cooling capacity (KW)	33.99	49.30	64.61	82.22	103.94	129.09	157.36	186.00	221.94	263.33	307.30
	Power(KW)	90.84	102.95	107.89	110.74	115.28	120.15	125.84	131.64	137.82	145.62	152.52
	COP	0.37	0.48	0.60	0.74	0.90	1.07	1.25	1.41	1.61	1.81	2.01
55	Cooling capacity (KW)	33.23	47.62	62.02	79.43	100.57	125.23	152.62	179.42	214.50	256.22	300.86
	Power(KW)	97.67	109.90	115.16	120.41	125.67	130.93	136.59	141.95	147.71	153.98	160.36
	COP	0.34	0.43	0.54	0.66	0.80	0.96	1.12	1.26	1.45	1.66	1.88
60	Cooling capacity (KW)	--	--	59.43	76.65	97.20	121.37	147.88	172.84	207.07	249.11	294.42
	Power(KW)	--	--	115.84	130.09	136.06	141.70	147.34	152.27	157.60	162.33	168.19
	COP	--	--	0.51	0.59	0.71	0.86	1.00	1.14	1.31	1.53	1.75

★ For ECO load data, please download the HANBELL model selection software, and select according to design conditions.

## Performance data sheet (LT-S-L)

LT-S-65/32-L R404A Performance sheet (including ECO)_380V 50HZ													
Saturated Discharge Temp °C	Saturated Suction Temp °C	-65	-60	-55	-50	-45	-40	-35	-30	-25	-20	-15	-10
30	Cooling capacity (KW)	43.78	66.19	88.60	110.32	138.78	170.80	208.39	250.93	297.43	344.83	--	--
	Power(KW)	78.96	79.61	82.30	86.15	89.48	98.32	106.41	114.43	121.89	130.50	--	--
	COP	0.55	0.83	1.08	1.28	1.55	1.74	1.96	2.19	2.44	2.64	--	--
35	Cooling capacity (KW)	42.88	64.21	85.54	107.03	134.79	166.24	202.78	243.15	288.64	336.42	386.02	457.94
	Power(KW)	85.75	90.02	93.30	97.25	100.97	108.63	116.28	124.08	131.65	141.08	149.88	158.68
	COP	0.50	0.71	0.92	1.10	1.33	1.53	1.74	1.96	2.19	2.38	2.58	2.89
40	Cooling capacity (KW)	41.97	62.22	82.47	103.74	130.81	161.68	197.18	235.37	279.86	328.02	378.41	445.27
	Power(KW)	99.12	100.43	104.30	108.34	112.47	118.95	126.15	133.73	141.42	151.65	160.43	169.77
	COP	0.42	0.62	0.79	0.96	1.16	1.36	1.56	1.76	1.98	2.16	2.36	2.62
45	Cooling capacity (KW)	41.07	60.24	79.41	100.46	126.83	157.12	191.57	227.60	271.07	319.61	370.79	432.60
	Power(KW)	102.68	110.84	115.31	119.44	123.96	129.27	136.02	143.38	151.18	162.23	170.98	180.85
	COP	0.40	0.54	0.69	0.84	1.02	1.22	1.41	1.59	1.79	1.97	2.17	2.39
50	Cooling capacity (KW)	40.17	58.26	76.35	97.17	122.84	152.56	185.97	219.82	262.29	311.21	363.18	419.94
	Power(KW)	118.09	120.36	125.70	130.87	136.24	142.00	148.72	155.57	162.87	172.10	180.25	190.75
	COP	0.34	0.48	0.61	0.74	0.90	1.07	1.25	1.41	1.61	1.81	2.01	2.20
55	Cooling capacity (KW)	39.27	56.28	73.29	93.88	118.86	148.00	180.37	212.04	253.50	302.80	355.56	407.27
	Power(KW)	126.97	129.88	136.09	142.31	148.52	154.73	161.43	167.76	174.56	181.97	189.51	200.65
	COP	0.31	0.43	0.54	0.66	0.80	0.96	1.12	1.26	1.45	1.66	1.88	2.03
60	Cooling capacity (KW)	--	--	70.23	90.59	114.88	143.44	174.76	204.26	244.72	294.40	347.95	394.60
	Power(KW)	--	--	150.60	153.74	160.80	167.46	174.13	179.95	186.26	191.84	198.78	210.55
	COP	--	--	0.47	0.59	0.71	0.86	1.00	1.14	1.31	1.53	1.75	1.87

★ For ECO load data, please download the HANBELL model selection software, and select according to design conditions.

**Performance data sheet (LT-S-L)**

LT-S-83/41-L R22 Performance sheet (including ECO)_380V 50HZ												
Saturated Discharge Temp °C	Saturated Suction Temp °C	-60	-55	-50	-45	-40	-35	-30	-25	-20	-15	-10
30	Cooling capacity (KW)	77.55	107.47	142.42	173.99	206.29	241.08	297.64	351.05	423.62	--	--
	Power(KW)	90.81	93.89	98.28	102.08	112.16	121.39	130.54	139.05	148.88	--	--
	COP	0.86	1.16	1.45	1.70	1.84	1.99	2.28	2.52	2.85	--	--
35	Cooling capacity (KW)	76.98	106.81	141.02	172.35	204.35	238.91	294.45	347.66	419.25	489.36	569.18
	Power(KW)	94.00	100.00	106.00	112.00	118.00	125.00	132.00	141.00	152.00	163.00	175.00
	COP	0.83	1.09	1.34	1.54	1.73	1.91	2.23	2.47	2.76	3.00	3.25
40	Cooling capacity (KW)	76.41	106.15	139.62	170.71	202.41	236.75	291.26	344.28	414.88	482.88	563.85
	Power(KW)	114.56	118.99	123.59	128.30	135.69	143.91	152.56	161.33	173.00	183.01	193.66
	COP	0.68	0.91	1.14	1.33	1.49	1.65	1.91	2.13	2.40	2.64	2.91
45	Cooling capacity (KW)	75.84	105.49	138.22	169.08	200.47	234.58	288.06	340.89	410.51	476.40	558.52
	Power(KW)	120.00	131.54	136.25	141.41	147.46	155.16	163.56	172.46	185.06	195.05	206.31
	COP	0.65	0.82	1.02	1.20	1.36	1.51	1.76	1.98	2.22	2.44	2.71
50	Cooling capacity (KW)	75.27	104.83	136.82	167.16	198.13	231.50	285.05	338.04	406.01	472.12	553.42
	Power(KW)	137.30	143.39	149.29	155.42	161.99	169.66	177.47	185.80	196.33	205.62	217.61
	COP	0.55	0.74	0.92	1.08	1.22	1.36	1.61	1.82	2.07	2.30	2.54
55	Cooling capacity (KW)	74.66	104.19	135.42	165.25	195.78	228.42	282.03	335.18	401.50	467.83	548.32
	Power(KW)	148.16	155.25	162.34	169.43	176.51	184.15	191.38	199.14	207.59	216.19	228.90
	COP	0.50	0.67	0.83	0.98	1.11	1.24	1.47	1.68	1.93	2.16	2.40
60	Cooling capacity (KW)	--	--	134.01	163.34	193.44	225.34	279.01	332.32	396.99	463.54	543.22
	Power(KW)	--	--	175.38	183.43	191.04	198.64	205.28	212.48	218.85	226.76	240.19
	COP	--	--	0.75	0.89	1.01	1.13	1.36	1.56	1.81	2.04	2.26

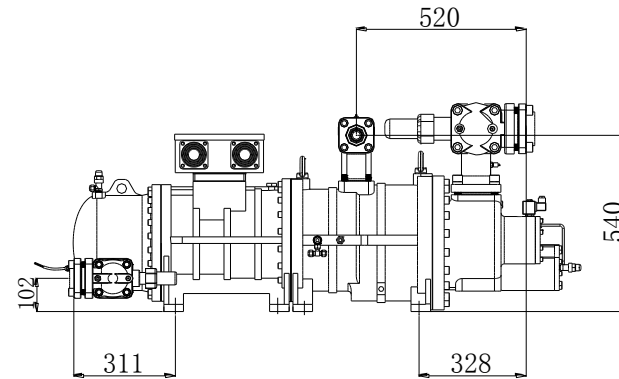
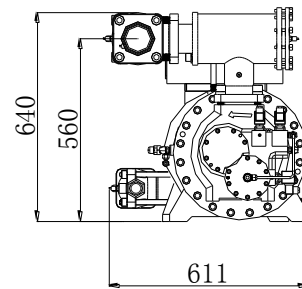
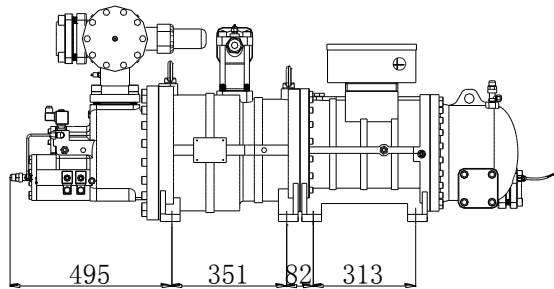
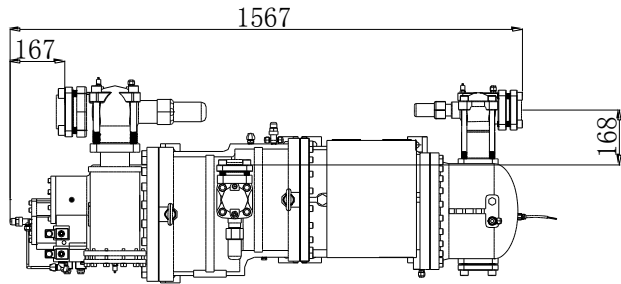
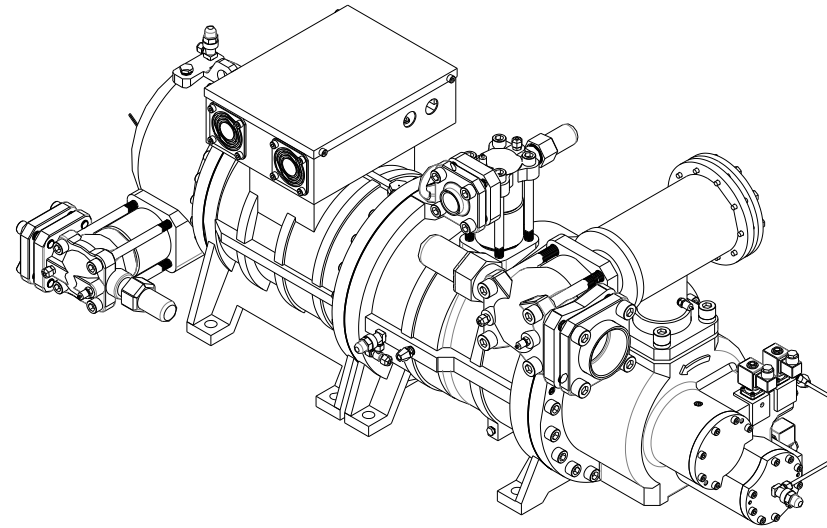
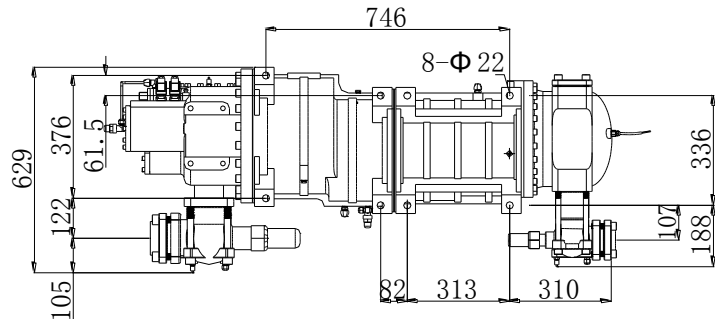
**Performance data sheet (LT-S-L)**

★ For ECO load data, please download the HANBELL model selection software, and select according to design conditions.

LT-S-83/41-L R404A Performance sheet (including ECO)_380V 50HZ													
Saturated Discharge Temp °C	Saturated Suction Temp °C	-65	-60	-55	-50	-45	-40	-35	-30	-25	-20	-15	-10
30	Cooling capacity (KW)	56.57	85.53	114.49	142.57	179.34	220.72	269.30	324.28	384.37	445.62	--	--
	Power(KW)	97.83	101.26	104.68	109.58	113.81	125.05	135.35	145.56	155.04	166.00	--	--
	COP	0.58	0.84	1.09	1.30	1.58	1.77	1.99	2.23	2.48	2.68	--	--
35	Cooling capacity (KW)	55.41	82.97	110.54	138.32	174.19	214.83	262.06	314.23	373.02	434.76	498.85	591.80
	Power(KW)	100.74	104.81	111.50	118.19	124.88	131.57	139.38	147.18	157.22	169.48	181.75	195.13
	COP	0.55	0.79	0.99	1.17	1.39	1.63	1.88	2.13	2.37	2.57	2.74	3.03
40	Cooling capacity (KW)	54.24	80.41	106.58	134.07	169.05	208.94	254.82	304.18	361.66	423.90	489.02	575.43
	Power(KW)	122.80	127.74	132.67	137.81	143.05	151.30	160.46	170.10	179.88	192.90	204.06	215.93
	COP	0.44	0.63	0.80	0.97	1.18	1.38	1.59	1.79	2.01	2.20	2.40	2.66
45	Cooling capacity (KW)	53.08	77.85	102.63	129.82	163.90	203.04	247.57	294.13	350.31	413.04	479.18	559.06
	Power(KW)	129.46	136.58	146.66	151.92	157.67	164.42	173.01	182.37	192.30	206.34	217.48	230.04
	COP	0.41	0.57	0.70	0.85	1.04	1.23	1.43	1.61	1.82	2.00	2.20	2.43
50	Cooling capacity (KW)	51.91	75.29	98.67	125.57	158.75	197.15	240.33	284.07	338.96	402.18	469.34	542.69
	Power(KW)	146.29	153.09	159.88	166.46	173.29	180.62	189.17	197.88	207.17	218.90	229.26	242.63
	COP	0.35	0.49	0.62	0.75	0.92	1.09	1.27	1.44	1.64	1.84	2.05	2.24
55	Cooling capacity (KW)	50.75	72.73	94.72	121.32	153.60	191.26	233.09	274.02	327.60	391.31	459.50	526.32
	Power(KW)	157.30	165.20	173.10	181.01	188.91	196.81	205.33	213.38	222.04	231.46	241.05	255.22
	COP	0.32	0.44	0.55	0.67	0.81	0.97	1.14	1.28	1.48	1.69	1.91	2.06
60	Cooling capacity (KW)	--	--	90.76	117.07	148.46	185.36	225.85	263.97	316.25	380.45	449.66	509.95
	Power(KW)	--	--	186.57	195.55	204.53	213.01	221.49	228.89	236.91	244.02	252.83	267.82
	COP	--	--	0.49	0.60	0.73	0.87	1.02	1.15	1.33	1.56	1.78	1.90

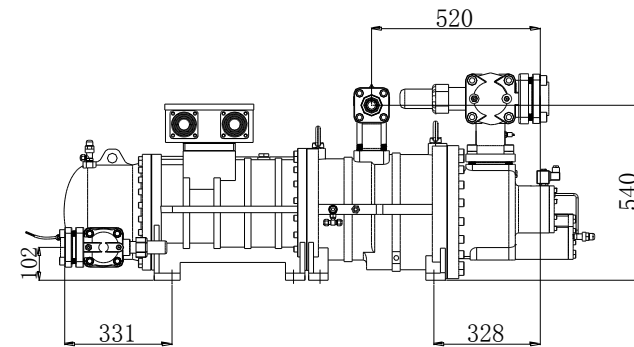
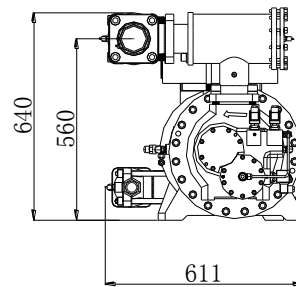
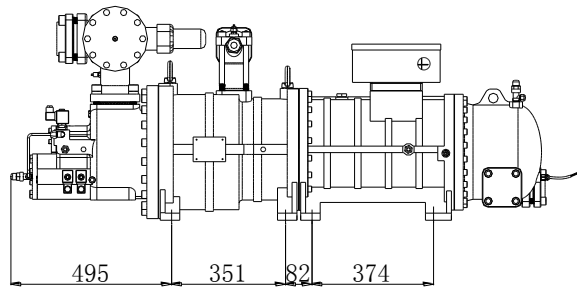
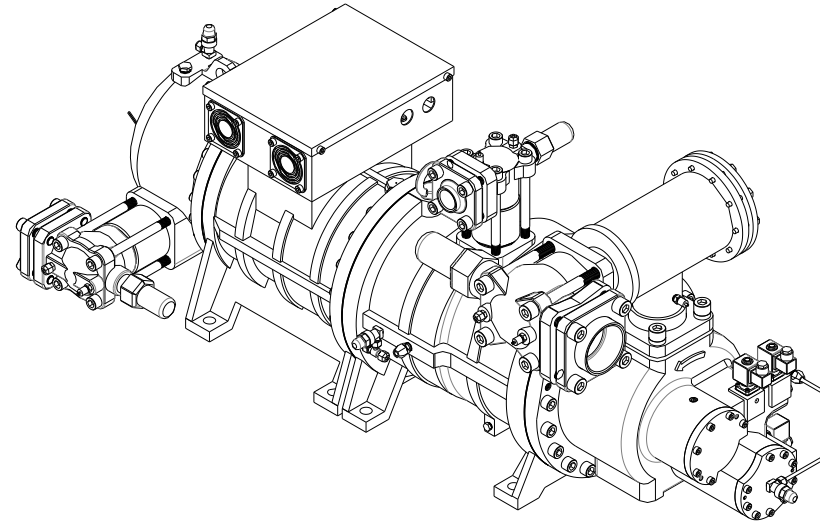
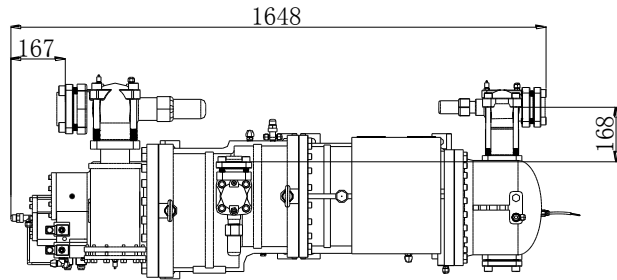
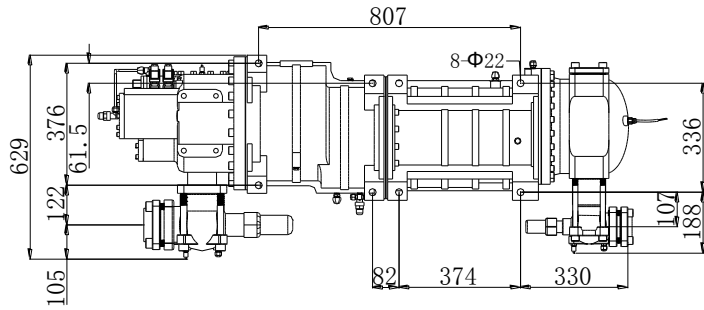
**Remarks:** The performance data above is in accordance with the latest selection software of Hanbell. The software may updated without prior notice

**LT-S-20/10 Drawing**

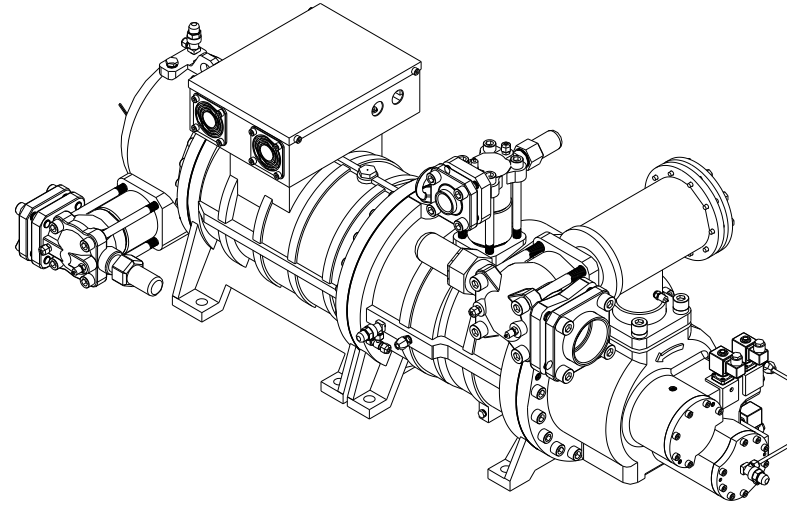
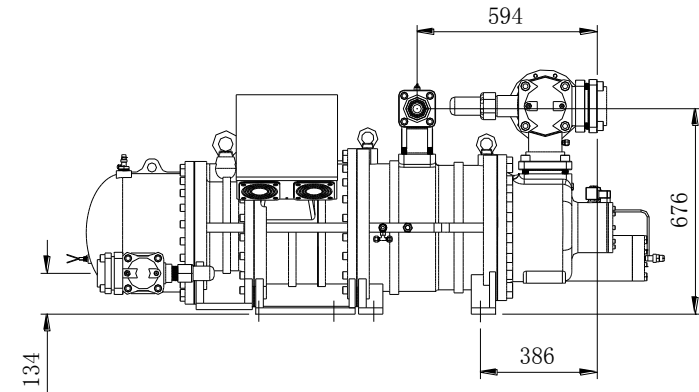
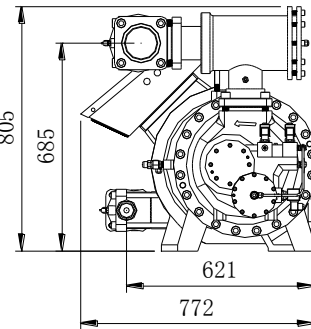
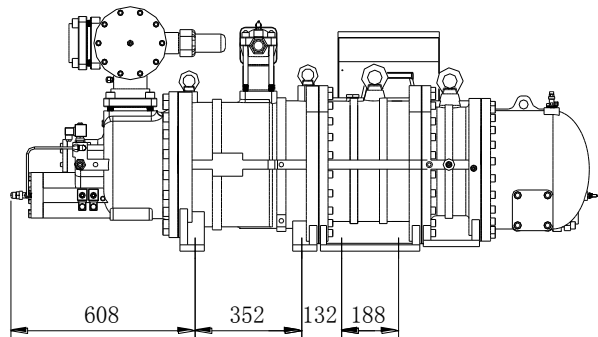
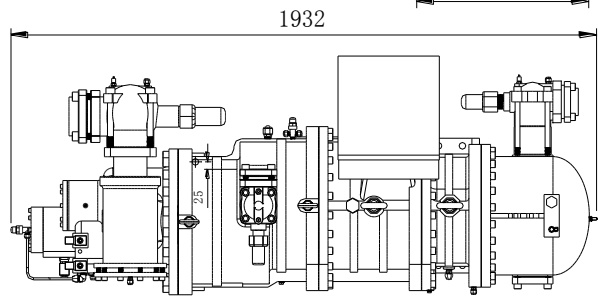
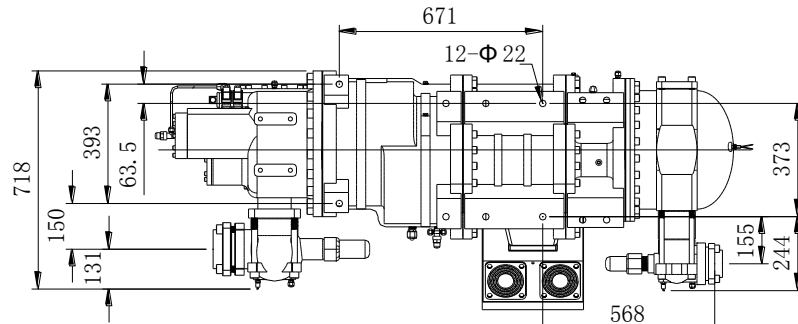




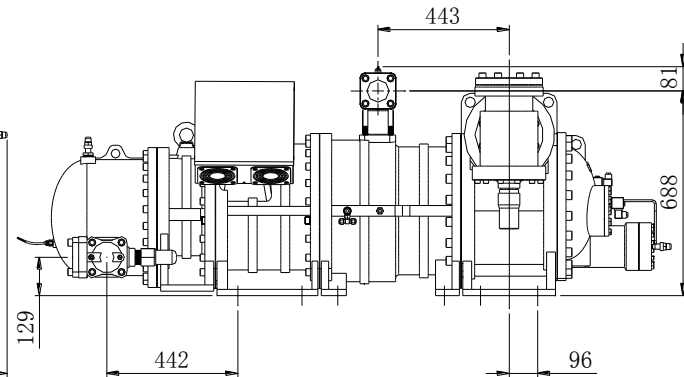
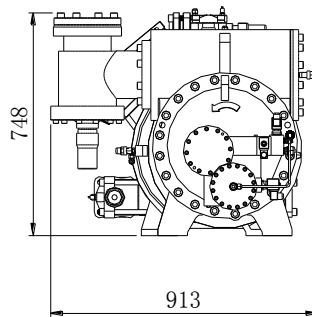
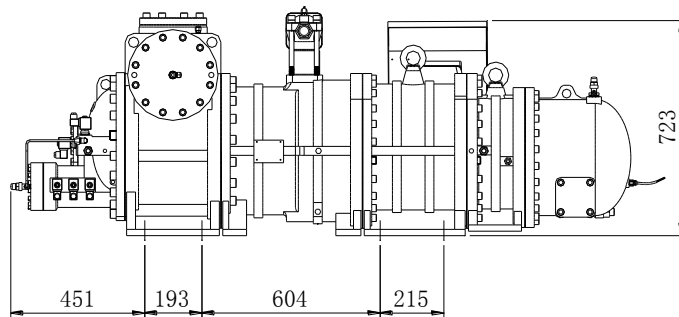
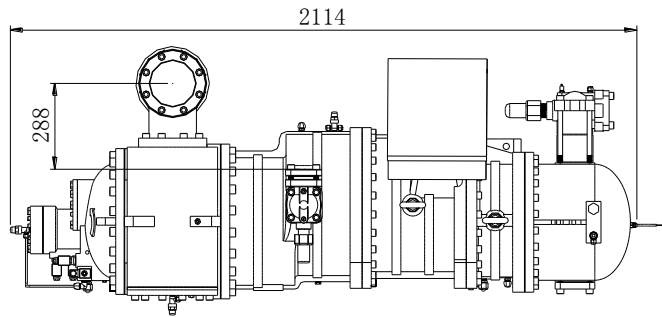
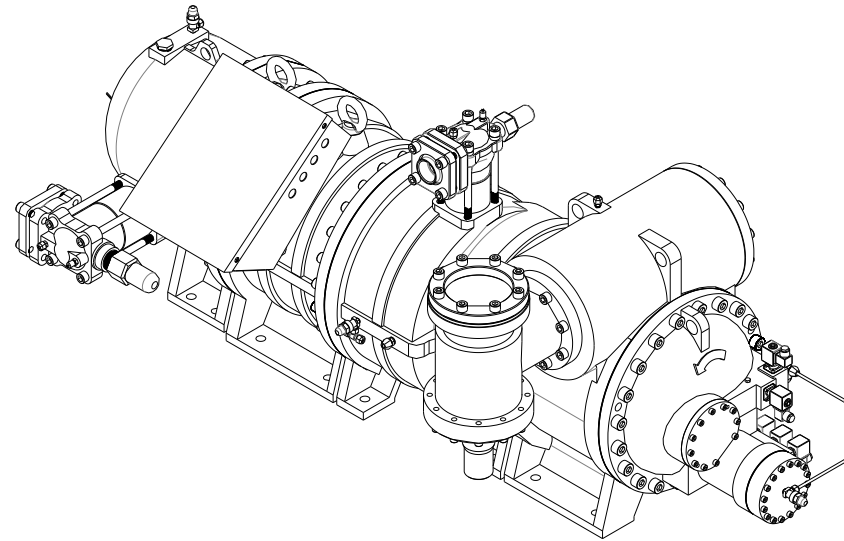
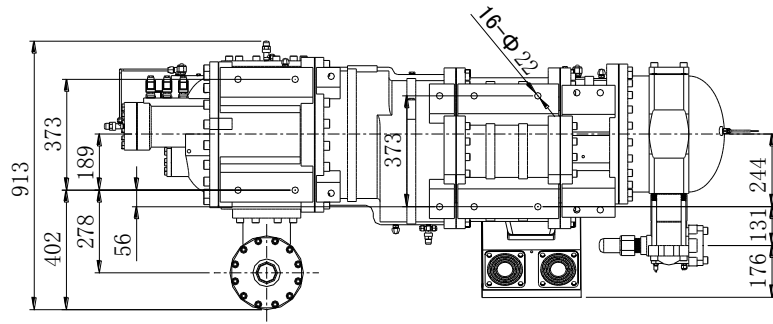
**LT-S-30/12 Drawing**



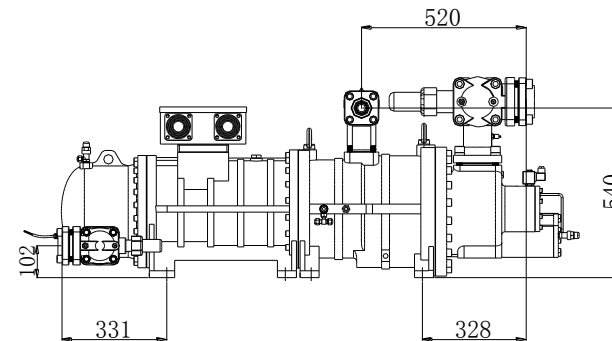
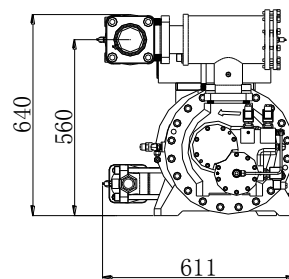
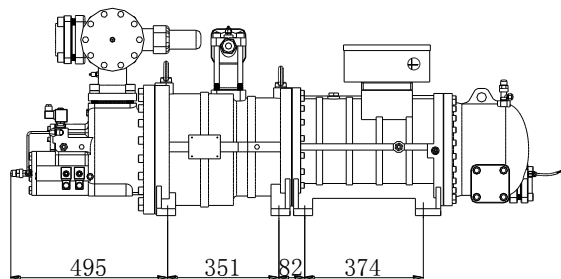
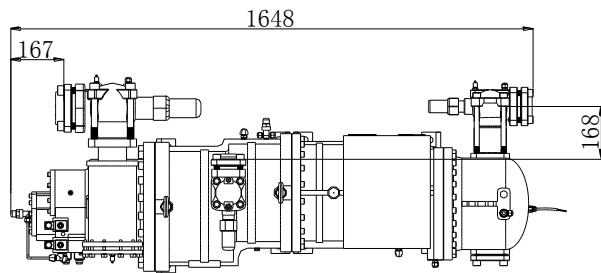
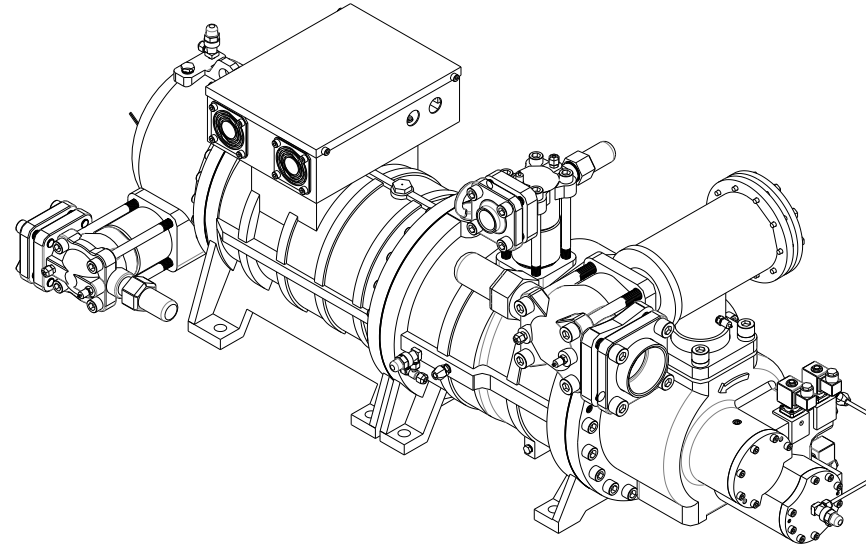
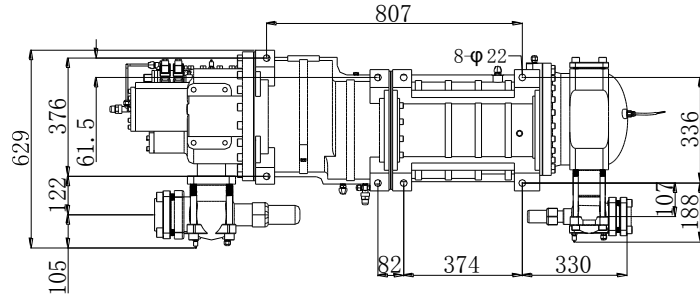
**LT-S-45/20&55/25 Drawing**



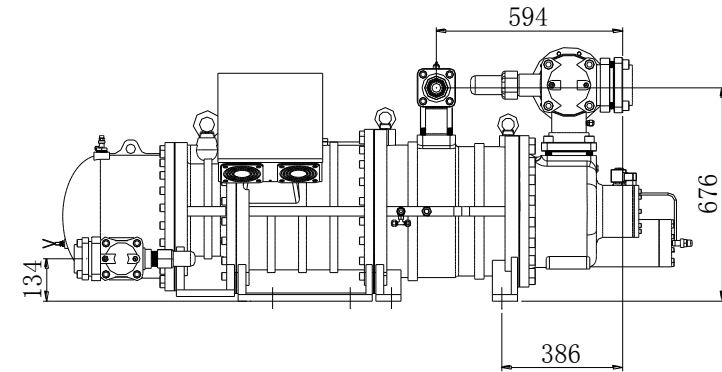
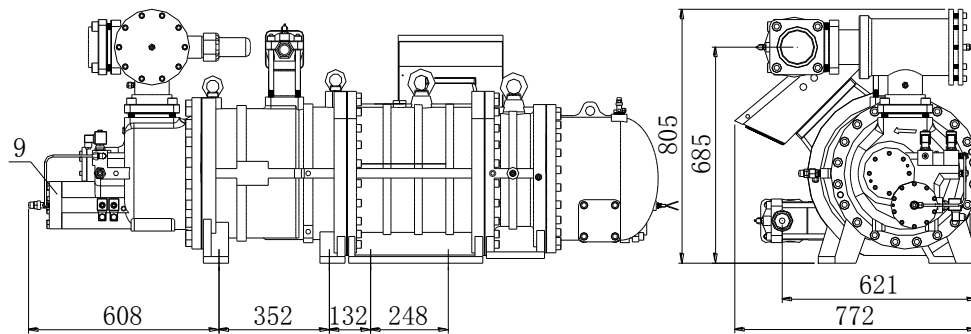
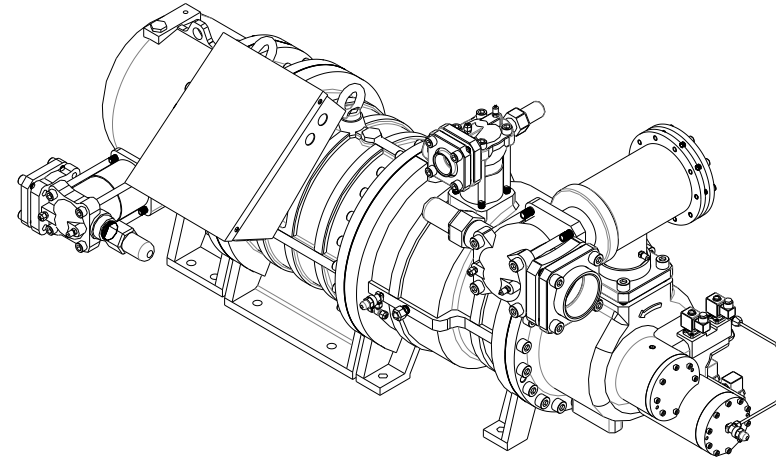
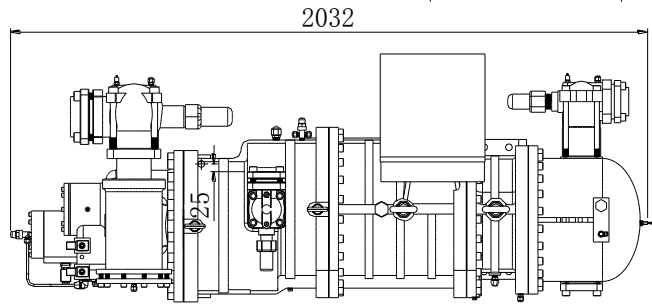
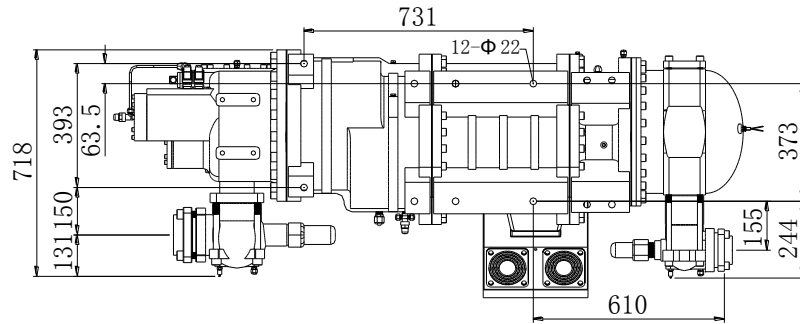
**LT-S-65/32&83/41 Drawing**



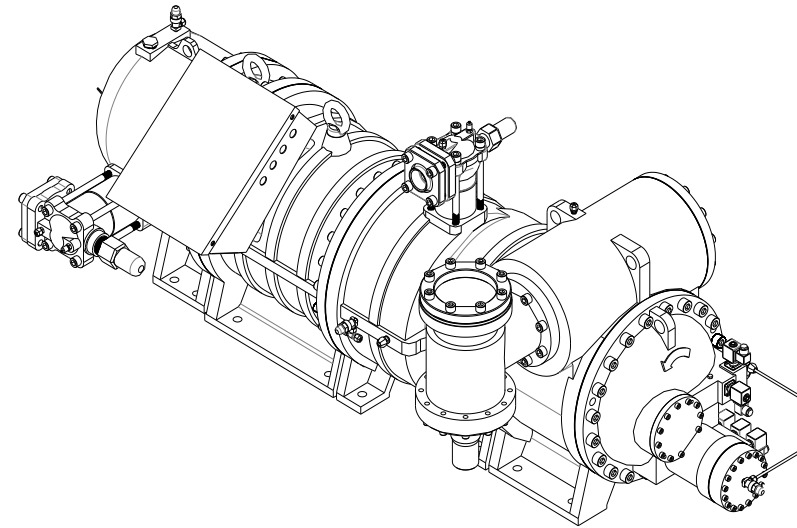
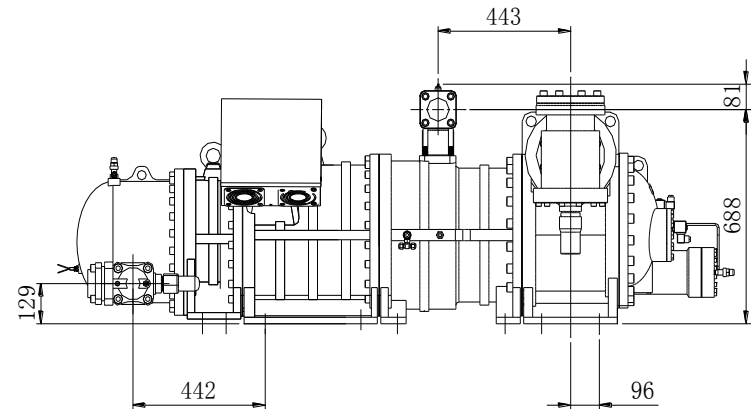
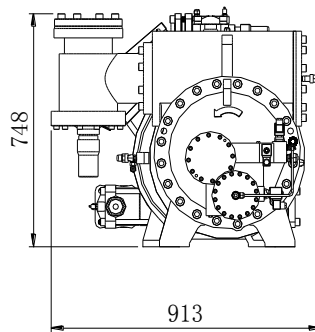
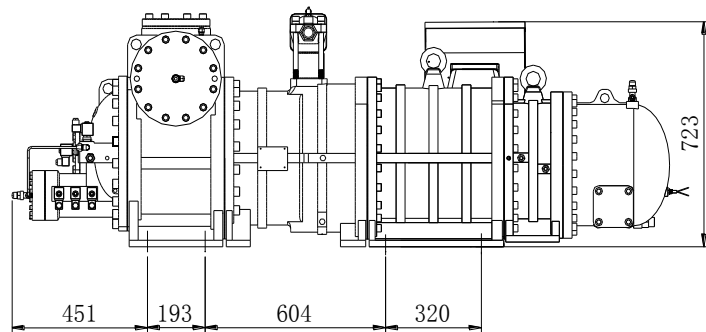
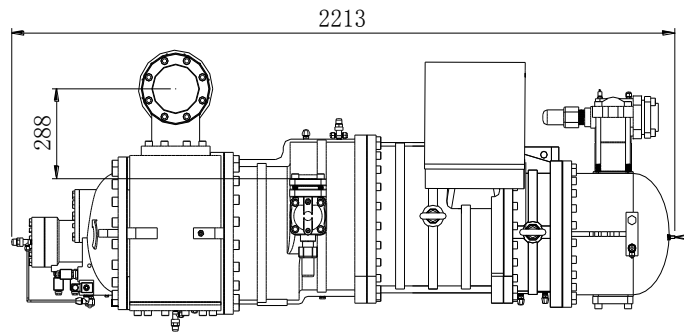
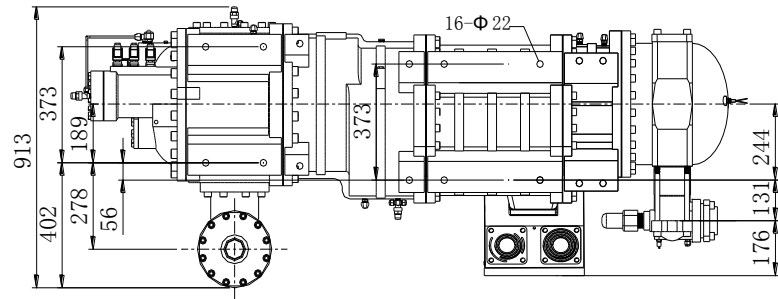
**LT-S-20/10- L Drawing**



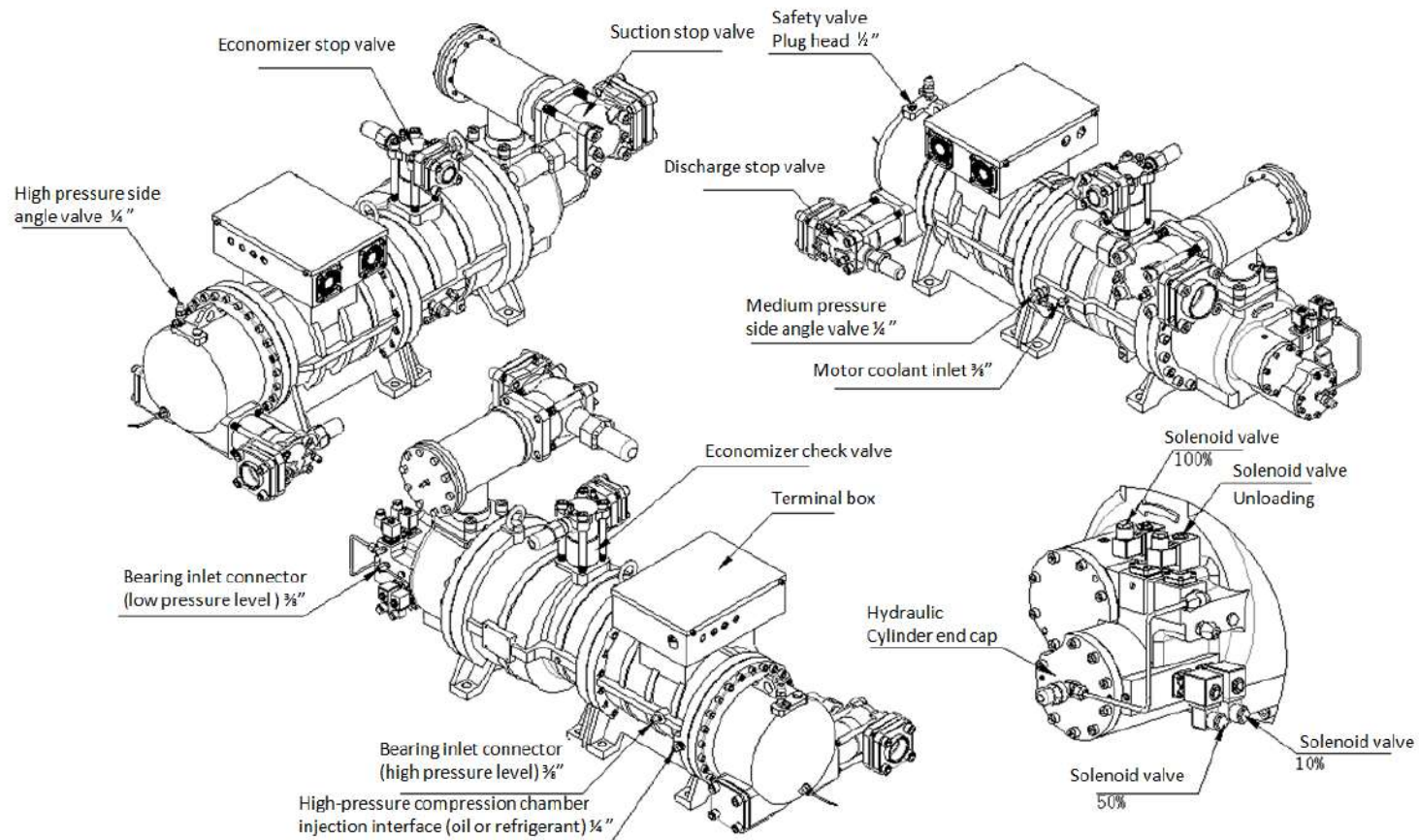
**LT-S-45/20-L& LT-S-55/25-L Drawing**



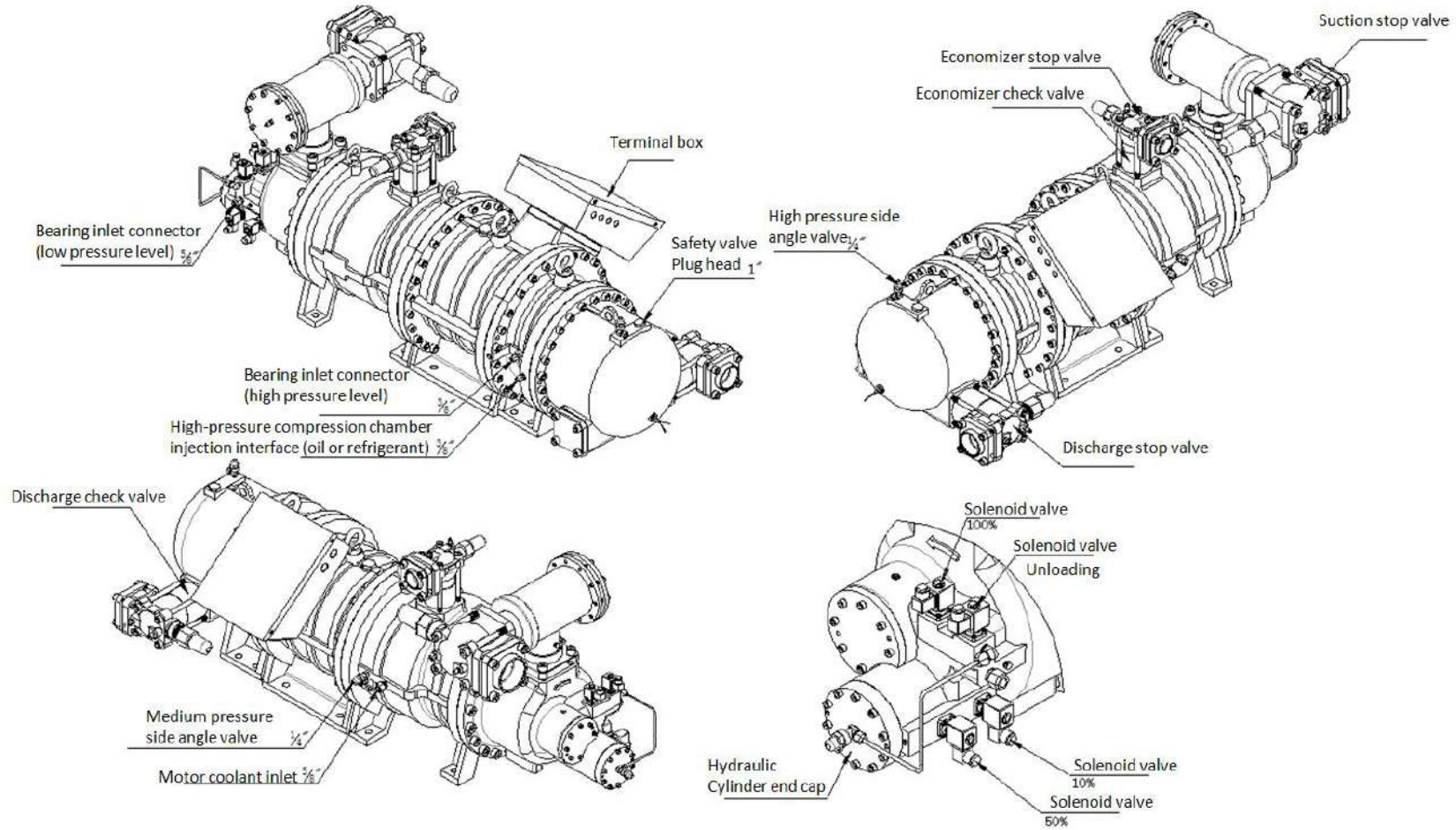
**LT-S-65/32-L& LT-S-83/41-L Drawing**



**LT-S-20/10 (-L) &30/12 Drawing**

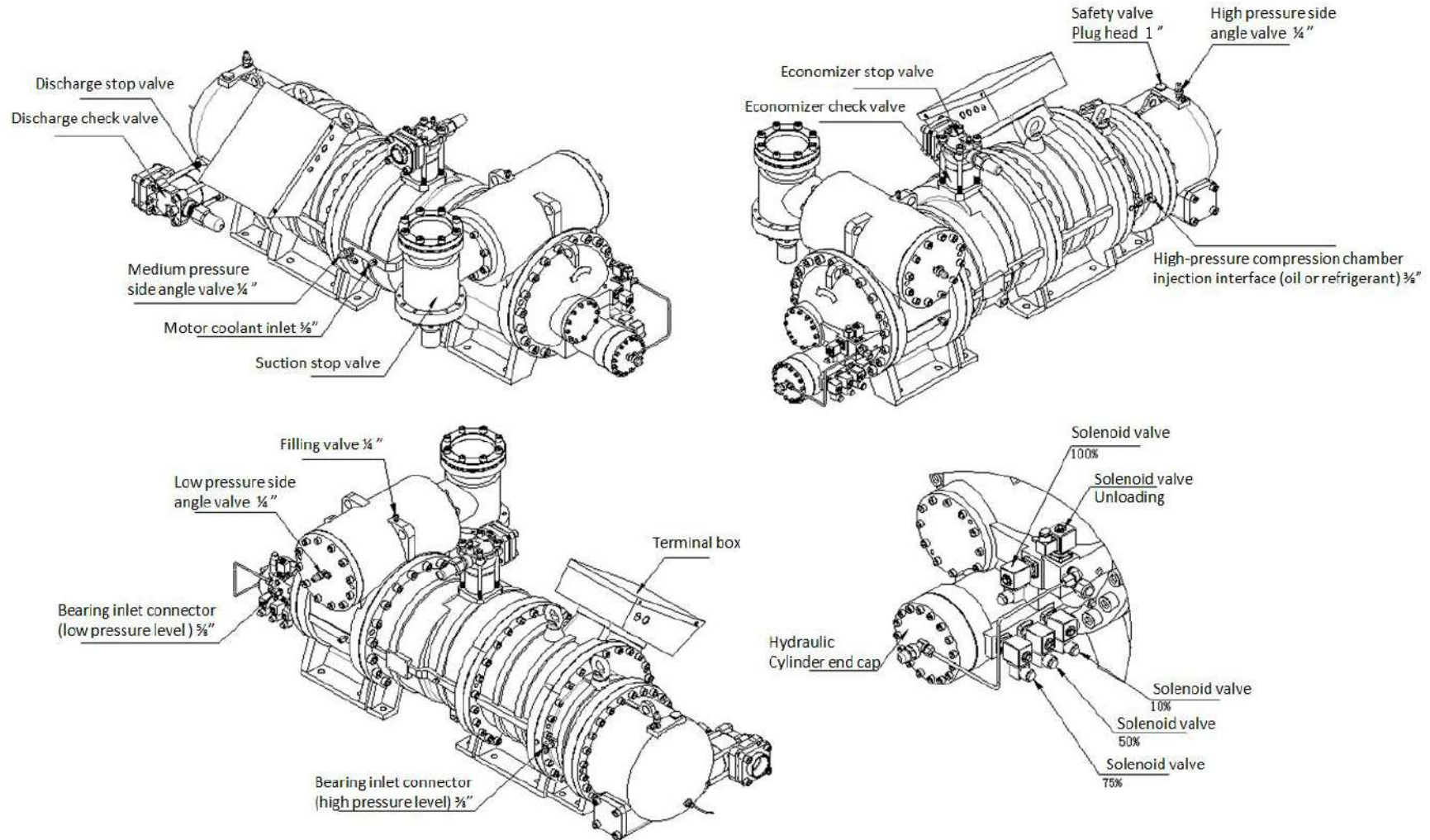


**LT-S-45/20&55/25 (-L) Drawing**

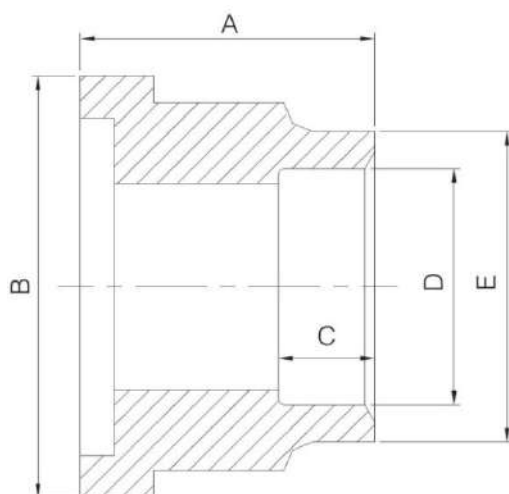




**LT-S-65/32&83/41 (-L) Drawing**



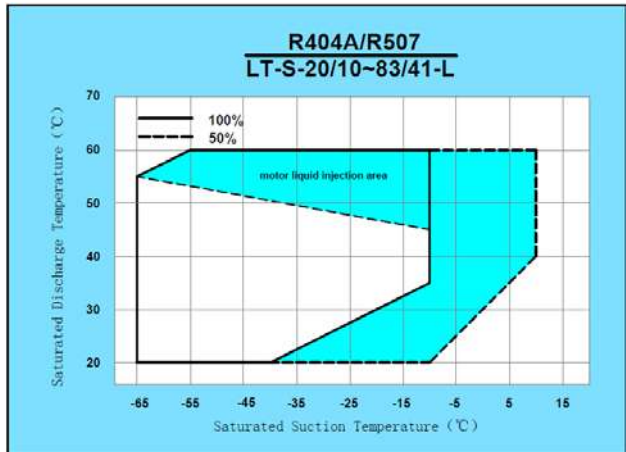
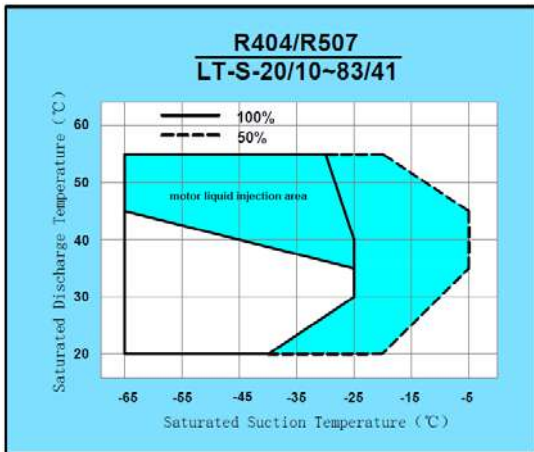
## LT-S (-L) Suction/Discharge casing size and pipe diameter specifications



Casing

Model	Position	Pipe diameter and material		Casing Size				
				A	B	C	D	E
LT-20/10 (-L) LT-30/12	Discharge	Copper	2 1/8"	50	90	30	55	65
		Steel	2"				61.3	74
	Suction	Copper	3 1/8"	66	120	45	80.5	90
		Steel	3"				90.2	103
	ECO	Copper	1 5/8"	52	75	35	42	52
		Steel	1 1/2"				49.3	64
LT-45/20 LT-55/25 (-L)	Discharge	Copper	2 5/8"	60	110	35	68	77
		Steel	2 1/2"				77	90
	Suction	Copper	3 5/8"	76	145	50	93	103
		Steel	4"				110	128
	ECO	Copper	2 1/8"	50	90	30	55	65
		Steel	2"				61.3	74
LT-83/41 LT-65/32 (-L)	Discharge	Copper	2 5/8"	60	110	35	68	77
		Steel	2 1/2"				77	90
	Suction	Copper	4 1/8"	80	174	35	106	121
		Steel	5"	75			135	154
	ECO	Copper	2 1/8"	50	90	30	55	65
		Steel	2"				61.3	74

# Application Limits



Official website



Official WeChat



Electronic Brochures



**上海漢鐘精機股份有限公司**  
SHANGHAI HANBELL PRECISE MACHINERY CO., LTD.

No.8289, Tingfeng Road, Fengjing Area, Jinshan District, Shanghai, China

TEL: 021-57350280 FAX: 021-51368588

Service Line: 4007702158

P.C.: 201501

http://www.hanbell.com.cn

SHANGHAI HANBELL PRECISE MACHINERY CO.,LTD.

JINAN BRANCH

No.4 Building, Liando U Valley International Enterprise Port, No. 2222, South Section of Yuqing Road, Changqing District, Jinan, Shandong Prov.

TEL: 0531-85060075 FAX: 0531-85060071

SHANGHAI HANBELL PRECISE MACHINERY CO.,LTD.

NANJING BRANCH

No.95, Gaohu Road, Jiangning District, Nanjing City

TEL: 025-52078091/1/3 FAX: 025-52078090

SHANGHAI HANBELL PRECISE MACHINERY CO.,LTD.

GUANGZHOU BRANCH

No.15 Wenkeng Road Lianwang Industrial Park, Guangzhou, Guangdong Prov.

TEL: 020-34721075 FAX: 020-3472325

SHANGHAI HANBELL PRECISE MACHINERY CO.,LTD.

CHONGQING BRANCH

Building A10, Dongben Industrial Park, No.18, Yu Ma Road, chayuan New District, Chongqing, China

TEL: 023-62611068 FAX: 023-62611069