

# SC21CL LBP Compressor R404A/R507 220-240V 50Hz

Data Sheet (Replaces CF.54.E1.02)

## General

Compressor	<b>SC21CL</b>
Code number	104L2322

## Application

Application	LBP	
Evaporating temperature range	°C	-45 to -10
Voltage range	V/Hz	198 - 254 /50
Motor type	CSR	
Max. ambient temperature	°C	38
Comp. cooling at ambient temp.	32°C	F <sub>2</sub>
	38°C	F <sub>2</sub>

## Design

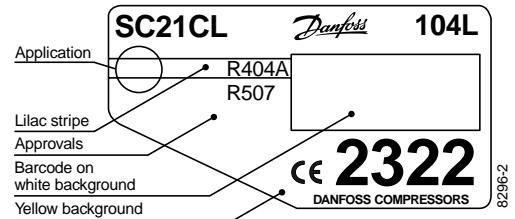
Displacement	cm <sup>3</sup>	20.95
Oil quantity	cm <sup>3</sup>	600
Maximum refrigerant charge	g	1300
Free gas vol. in compressor	cm <sup>3</sup>	1460
Weight without electrical equipment	kg	14.0

## Motor

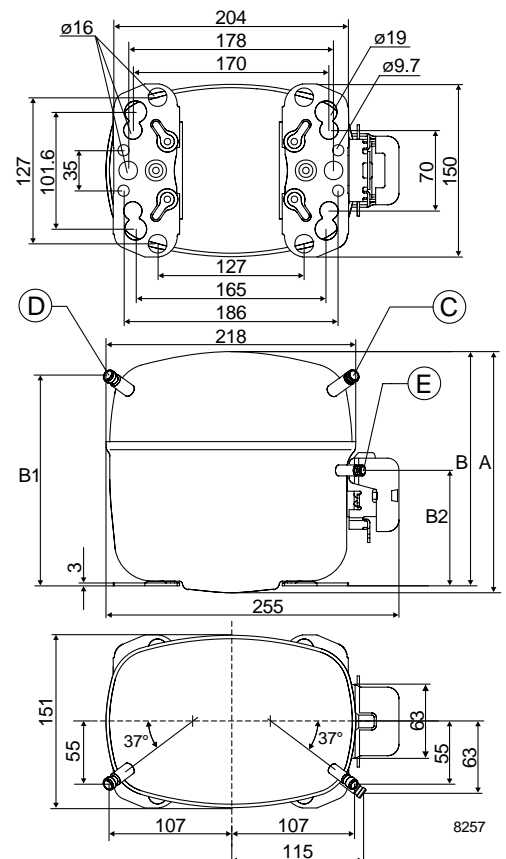
Motor size	watt	590
LRA (rated after 4 sec. UL984) HST	A	23.4
Cut-in current HST	A	23.4
Resistance, main and start winding (25°C)	Ω	3.4/14.4
Approvals	EN 60335-2-34	

## Dimensions

Height	mm	A	219
		B	213
		B1	193
		B2	110
Suction connector	location/I.D. mm	C	10.2 ±0.09
Process connector	location/I.D. mm	D	6.2 ±0.09
Discharge connector	location/I.D. mm	E	6.2 ±0.09
Compressors on a pallet	pcs.	80	



- S = Static cooling normally sufficient
- O = Oil cooling
- F<sub>1</sub> = Fan cooling 1.5 m/s  
(compressor compartment temperature equal to ambient temperature)
- F<sub>2</sub> = Fan cooling 3.0 m/s necessary



**Capacity (EN 12900/CECOMAF)**

**watt**

Comp. °C	-45	-40	-35	-30	-25	-23.3	-20	-15	-10
SC21CL	226	325	455	617	813	887	1042	1306	1606

**Capacity (ASHRAE)**

**watt**

Comp. °C	-45	-40	-35	-30	-25	-23.3	-20	-15	-10
SC21CL	263	378	529	719	947	1033	1215	1524	1876

**Power consumption**

**watt**

Comp. °C	-45	-40	-35	-30	-25	-23.3	-20	-15	-10
SC21CL	400	462	534	615	702	733	795	891	989

**Current consumption**

**A**

Comp. °C	-45	-40	-35	-30	-25	-23.3	-20	-15	-10
SC21CL	2.40	2.63	2.94	3.31	3.71	3.86	4.14	4.58	5.00

**COP (EN 12900/CECOMAF)**

**W/W**

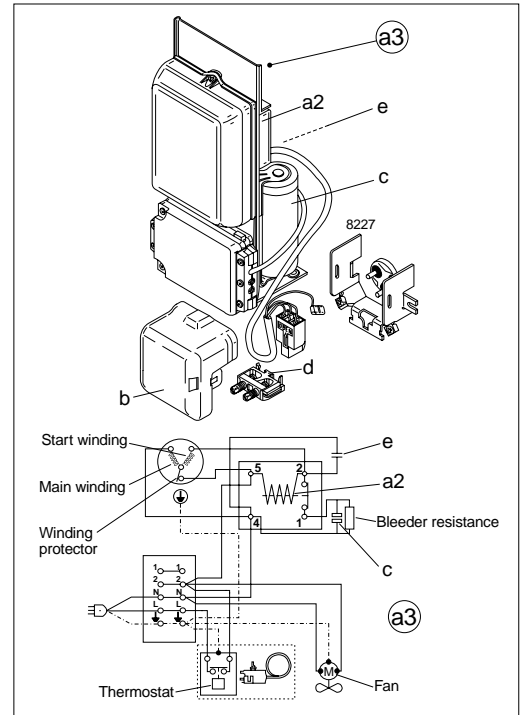
Comp. °C	-45	-40	-35	-30	-25	-23.3	-20	-15	-10
SC21CL	0.57	0.70	0.85	1.00	1.16	1.21	1.31	1.47	1.62

**COP (ASHRAE)**

**W/W**

Comp. °C	-45	-40	-35	-30	-25	-23.3	-20	-15	-10
SC21CL	0.66	0.82	0.99	1.17	1.35	1.41	1.53	1.71	1.90

Test conditions	EN 12900/CECOMAF	ASHRAE
Condensing temperature	45°C	45°C
Ambient and suction gas temp.	32°C	32°C
Liquid temperature	45°C	32°C
Fan cooling F <sub>2</sub> , 220V 50Hz		



**Accessories**

Devices	Fig.	SC21CL
Starting device	a3	117-7012 (470 mm cable length) 117-7027 (550 mm cable length) 117-7040 (1000 mm cable length)
Cover	b	103N2009
Starting relay	a2	Components of starting device
Starting capacitor 80 µF	c	
Run capacitor	e	
Cord relief	d	103N1004
Mounting accessories		
Bolt joint for one compressor		118-1917
Bolt joint in quantities		118-1918
Snap-on in quantities		118-1919