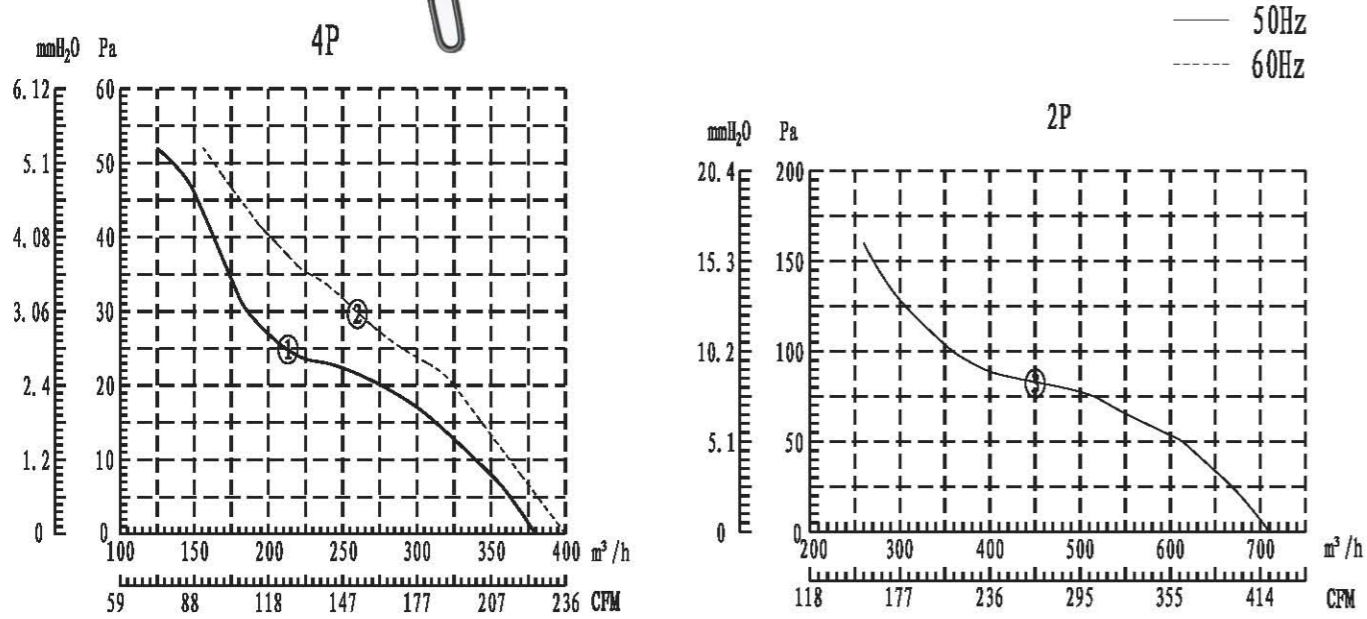


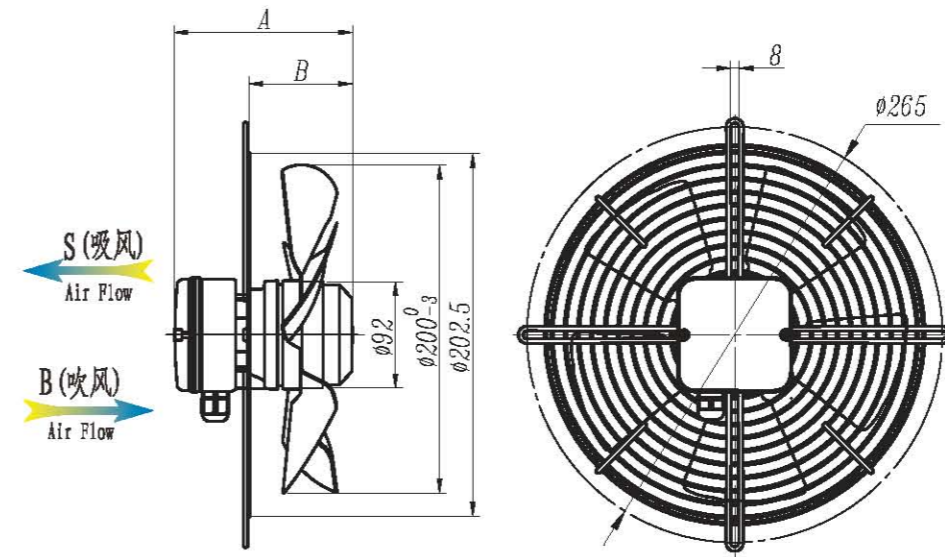
- 防护等级：IP54  
Type of protection: Ip54
- 绝缘等级：“B” “F”  
Insulation class: “B” “F”
- 工作方式：S1  
Mode of operation: S1
- 轴承：免维护轴承  
Bearings: Maintenance-free bearings



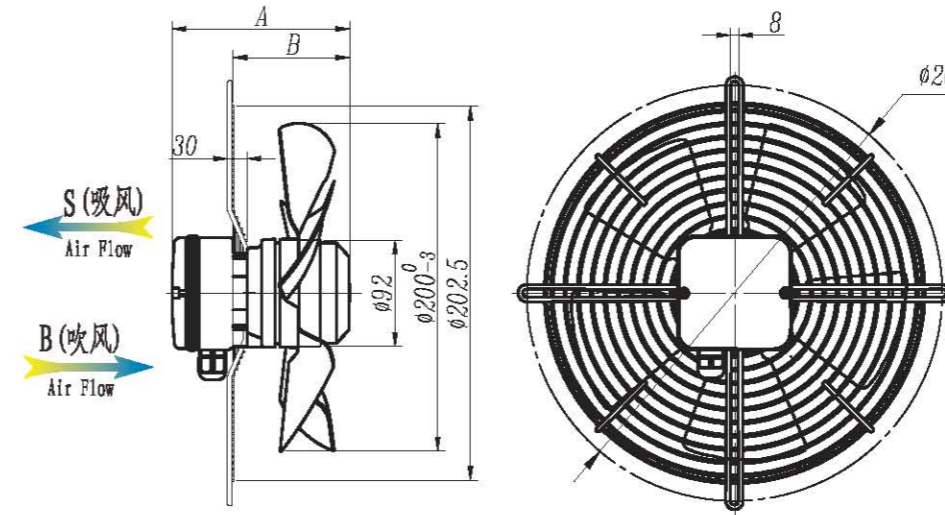
技术参数 Technical data

型号 Model	曲线 Curve NO.	额定电压 Voltage	频率 Frequency	额定电流 Current	输入功率 Power input	转速 Speed	噪音 Noise	电容 Capacitor	额定风量 / 许用静压 Air Volume / Max static Pressure	净重 N.W.
	#	V	Hz	A	W	RPM	dB(A)	μF	m³/h / Pa	Kg
YWF4D-200-B5Z	①	380	50	0.15	30	1450	50	/	385 / 30	2.0
YWF4E-200-B5Z	①	220	50	0.11	22	1400	50	2.5	385 / 30	2.0
	②	230	60	0.11	25	1700	52	2.5	405 / 40	2.0
YWF2D-200-B5Z	③	380	50	0.25	65	2500	65	/	710 / 80	2.0
YWF2E-200-B5Z	③	220	50	0.25	55	2680	65	3	710 / 80	2.0

表中参数如有更改恕不另行通知 We will not inform you if we change the data in the form



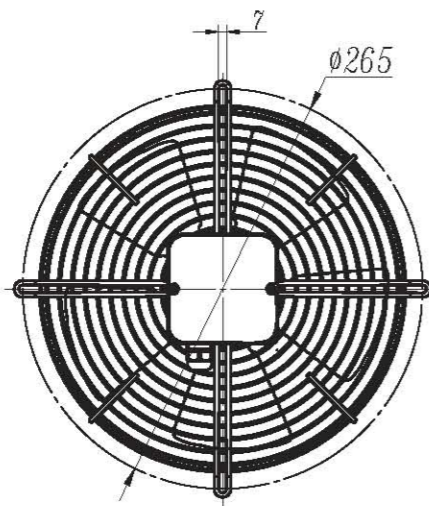
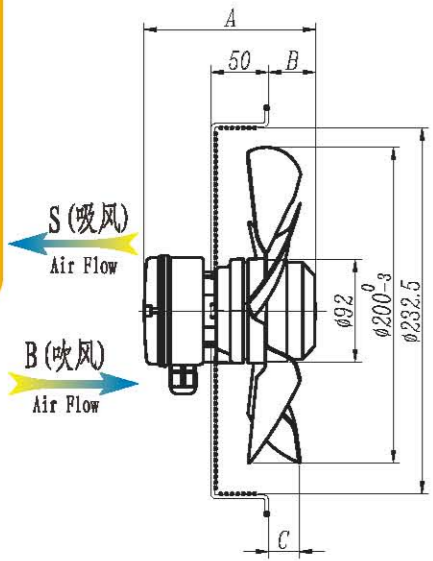
型号 MODEL	尺寸	
	A	B
YWF4D(E)-200S(B)-BSZ	140	75
YWF2D(E)-200S(B)-BSZ	145	80



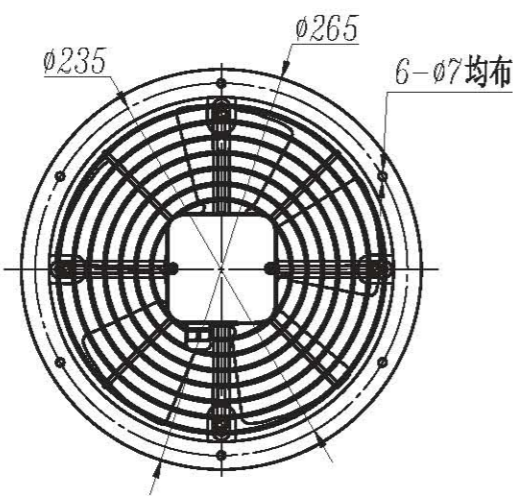
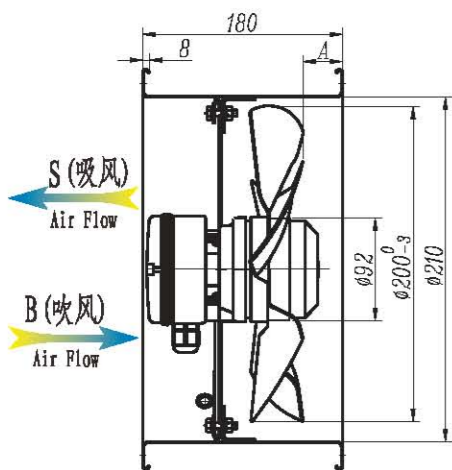
型号 MODEL	尺寸	
	A	B
YWF4D(E)-200S(B)-CSZ	140	105
YWF2D(E)-200S(B)-CSZ	145	110

Mode1 NO. B	Mode1 NO. C	Mode1 NO. D	Mode1 NO. E	Mode1 NO. H	Mode1 NO. G	Mode1 NO. K
YWF4D(E)-200S(B)-BSZ	YWF4D(E)-200S(B)-CSZ	YWF4D(E)-200S(B)-DSZ	YWF4D(E)-200S(B)-BSZ	YWF4D(E)-200S(B)-HSZ	YWF4D(E)-200S(B)-GSZ	/
YWF2D(E)-200S(B)-BSZ	YWF2D(E)-200S(B)-CSZ	YWF2D(E)-200S(B)-DSZ	YWF2D(E)-200S(B)-BSZ	YWF2D(E)-200S(B)-HSZ	YWF2D(E)-200S(B)-GSZ	/

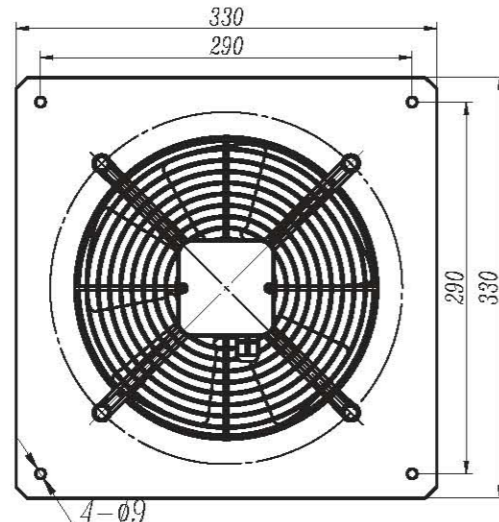
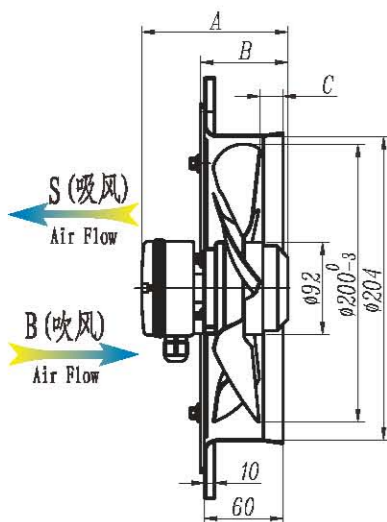




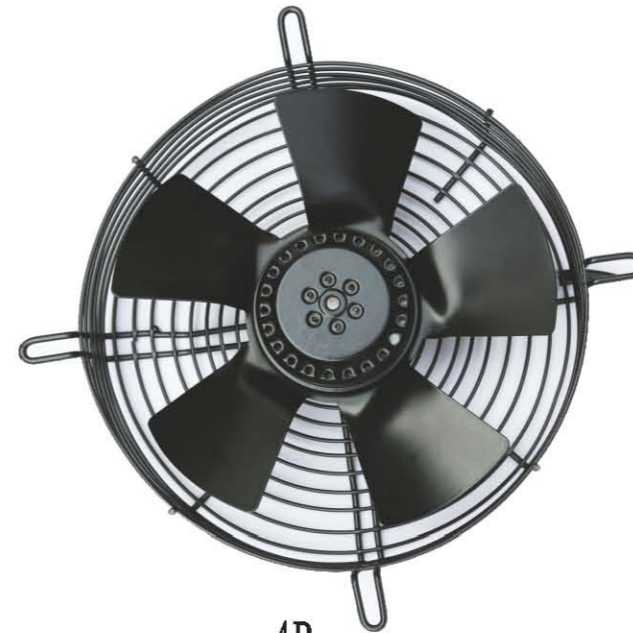
型号 MODEL	尺寸		
	A	B	C
YWF4D(E)-200S(B)-DSZ	140	29	17
YWF2D(E)-200S(B)-DSZ	145	34	22



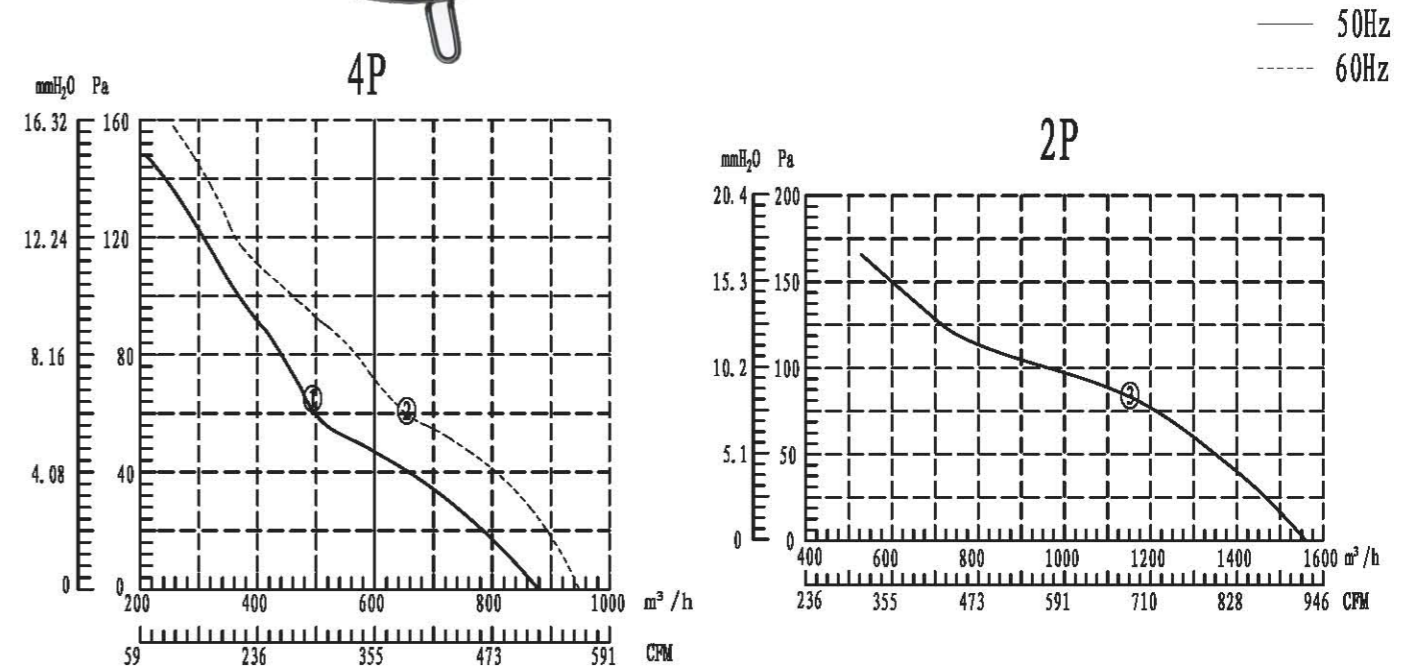
型号 MODEL	尺寸
	A
YWF4D(E)-200S(B)-HSZ	47
YWF2D(E)-200S(B)-HSZ	42



型号 MODEL	尺寸		
	A	B	C
YWF4D(E)-200S(B)-GSZ	140	82	6
YWF2D(E)-200S(B)-GSZ	145	87	6.5



- 防护等级：IP54  
Type of protection: IP54
- 绝缘等级：“B” “F”  
Insulation class: “B” “F”
- 工作方式：S1  
Mode of operation: S1
- 轴承：免维护轴承  
Bearings: Maintenance-free bearings

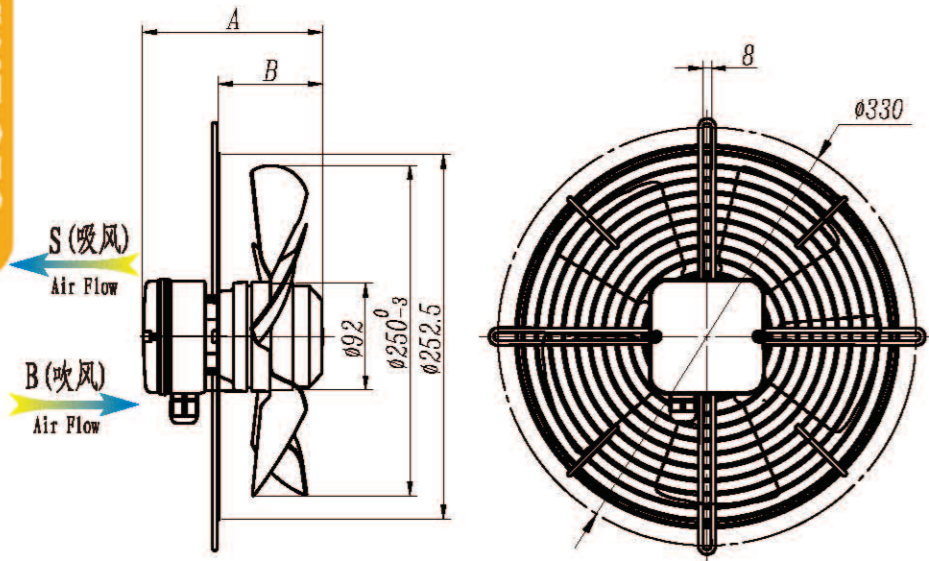


技术参数 Technical data

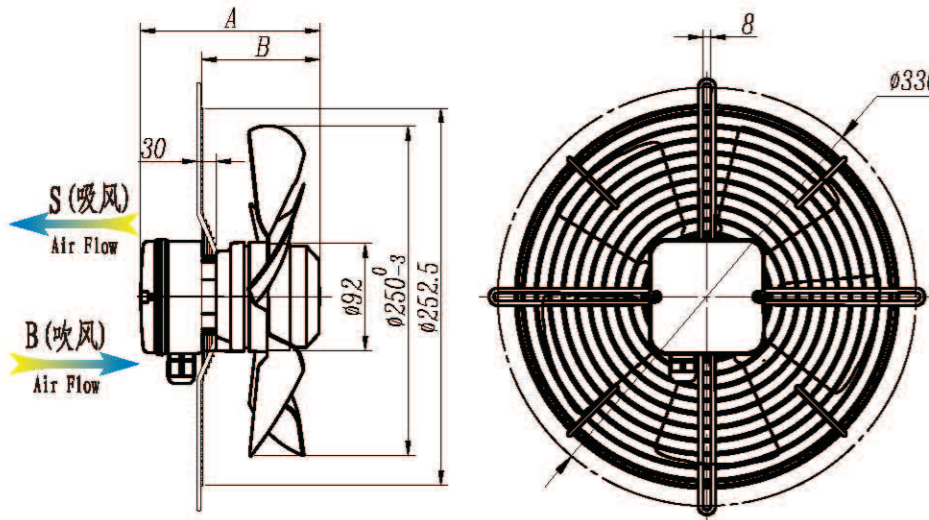
型号 Model	曲线 Curve NO.	额定电压 Voltage	频率 Frequency	额定电流 Current	输入功率 Power input	转速 Speed	噪音 Noise	电容 Capacitor	额定风量 / 许用静压 Air Volume / Max. static Pressure	净重 N.W.
	#	V	Hz	A	W	RPM	dB(A)	μF	m³/h / Pa	Kg
YWF4D-250-BSZ	①	380	50	0.2	50	1400	55	/	880 / 60	2.7
	②	400	60	0.25	60	1500	58	/	925 / 68	2.7
YWF4B-250-BSZ	①	220	50	0.23	50	1430	55	1.5	880 / 60	2.7
	②	230	60	0.22	55	1700	58	1.5	925 / 68	2.7
YWF2D-250-BSZ	③	380	50	0.28	130	2550	72	/	1565 / 120	2.8
	④	220	50	0.41	90	2720	75	4	1565 / 120	2.8

表中参数如有更改恕不另行通知 We will not inform you if we change the data in the form



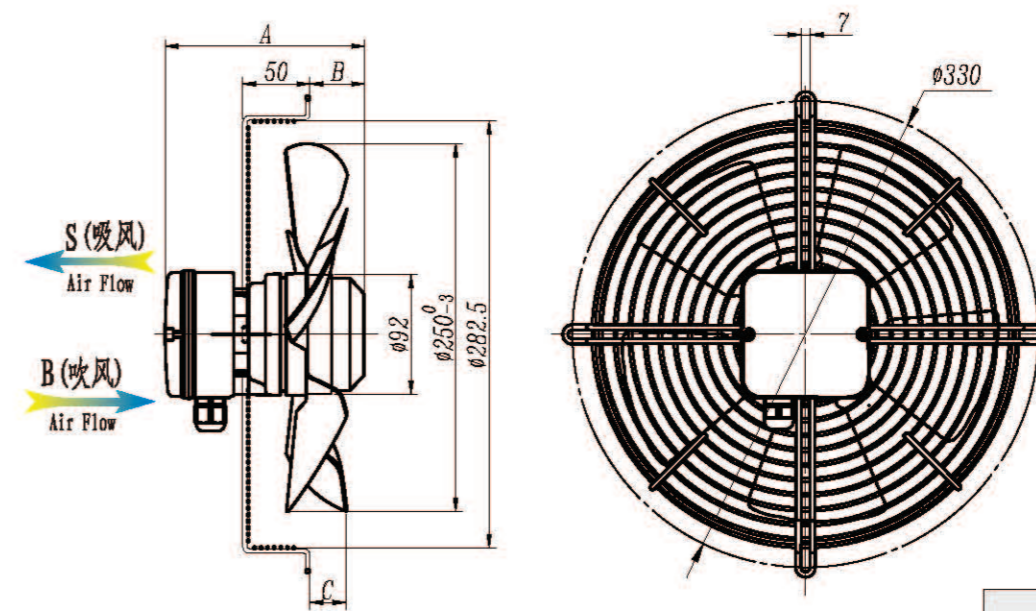


型号 MODEL	尺寸	
	A	B
YWF4D(E)-250S(B)-BSZ	145	80
YWF2D(B)-250S(B)-BSZ	155	90

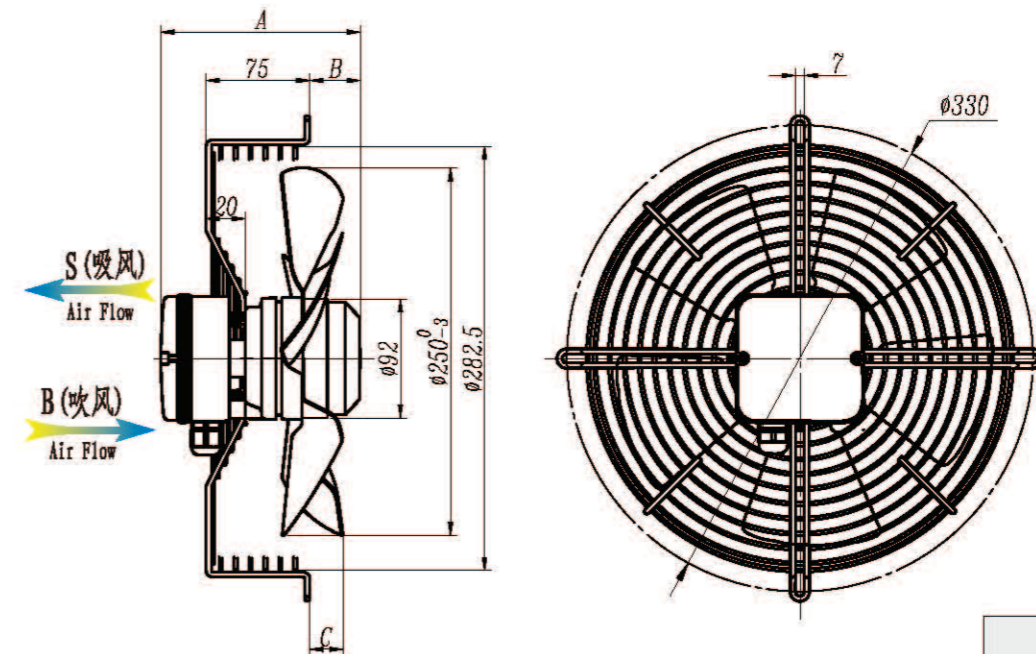


型号 MODEL	尺寸	
	A	B
YWF4D(E)-250S(B)-CSZ	145	110
YWF2D(B)-250S(B)-CSZ	155	120

Model NO. B	Model NO. C	Model NO. D	Model NO. E	Model NO. H	Model NO. G	Model NO. K
YWF4D(E)-250S(B)-BSZ	YWF4D(E)-250S(B)-CSZ	YWF4D(E)-250S(B)-DSZ	YWF4D(E)-250S(B)-BSZ	YWF4D(E)-250S(B)-HSZ	YWF4D(E)-250S(B)-GSZ	/
YWF2D(B)-250S(B)-BSZ	YWF2D(B)-250S(B)-CSZ	YWF2D(B)-250S(B)-DSZ	YWF2D(B)-250S(B)-BSZ	YWF2D(B)-250S(B)-HSZ	YWF2D(B)-250S(B)-GSZ	/

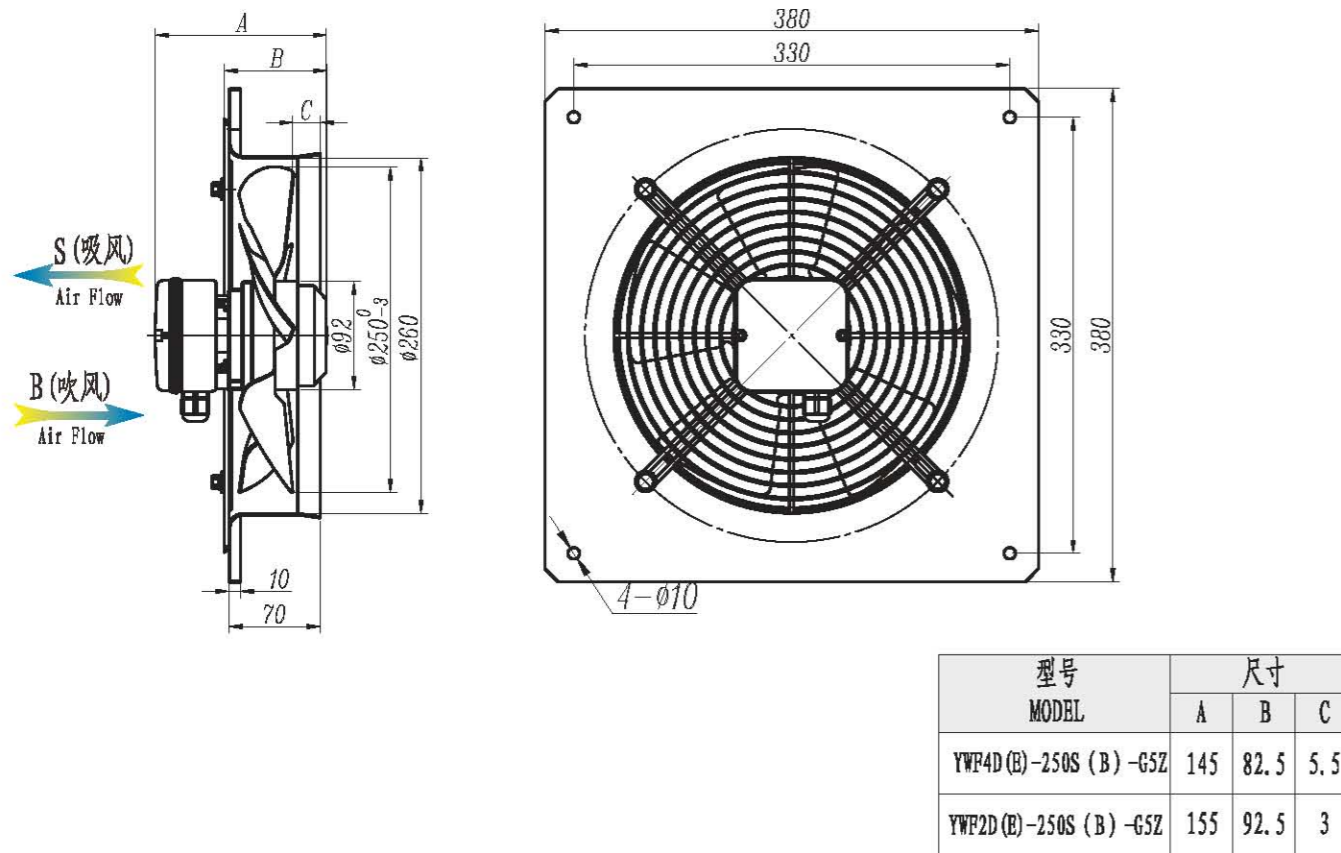
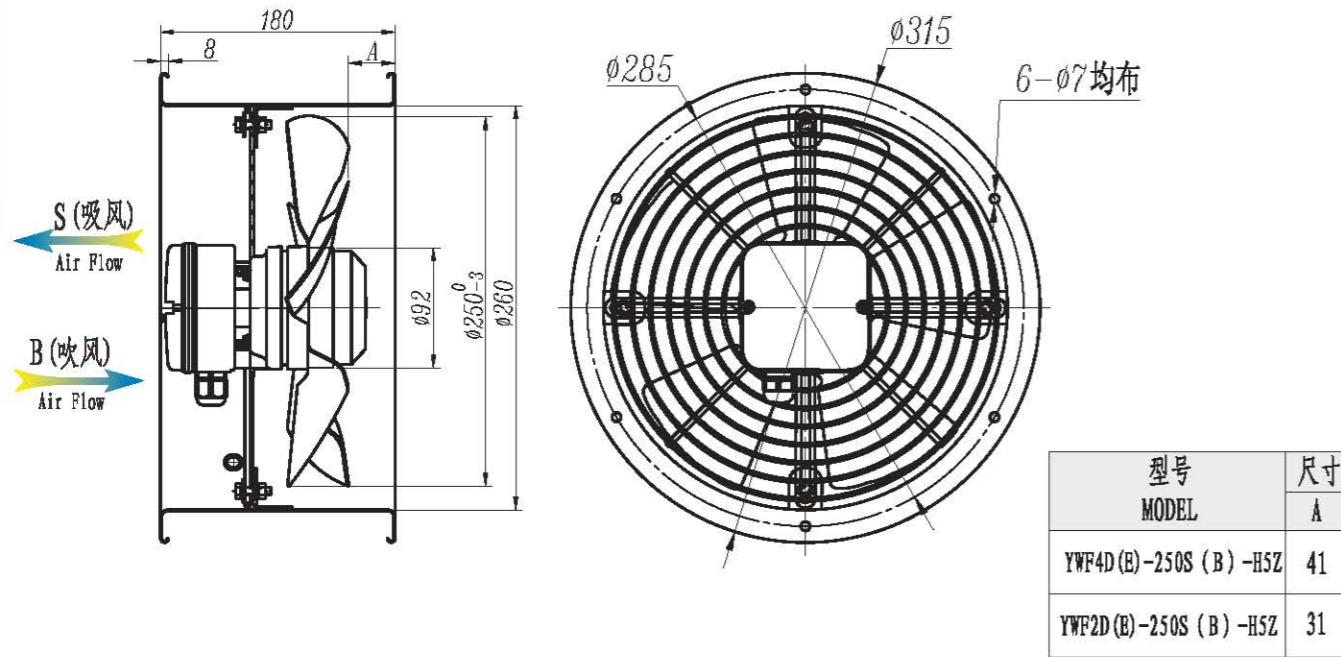


型号 MODEL	尺寸		
	A	B	C
YWF4D(E)-250S(B)-DSZ	145	34	18
YWF2D(B)-250S(B)-DSZ	155	44	28

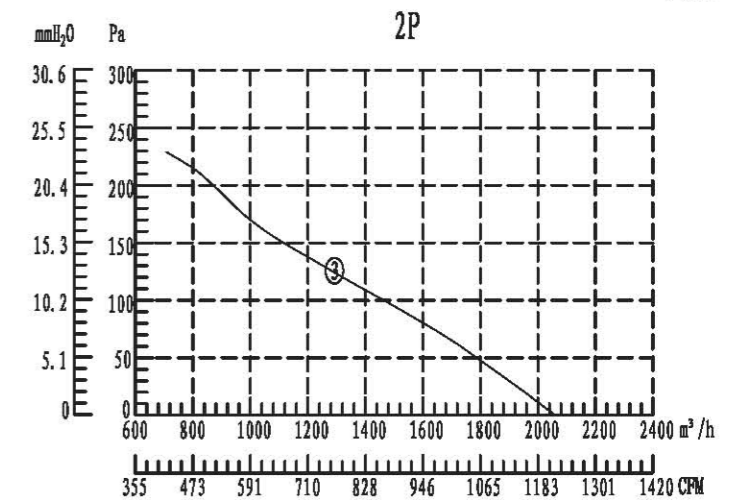
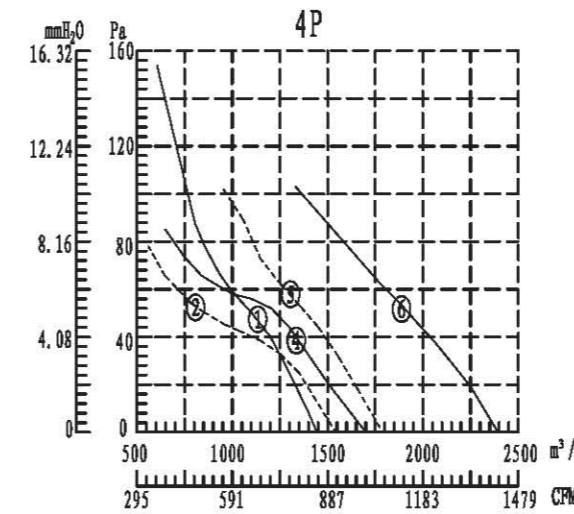


型号 MODEL	尺寸		
	A	B	C
YWF4D(E)-250S(B)-BSZ	145	30	18
YWF2D(B)-250S(B)-BSZ	155	40	28





- 防护等级：IP54  
Type of protection: IP54
- 绝缘等级：“B” “F”  
Insulation class: “B” “F”
- 工作方式：S1  
Mode of operation: S1
- 轴承：免维护轴承  
Bearings: Maintenance-free bearings

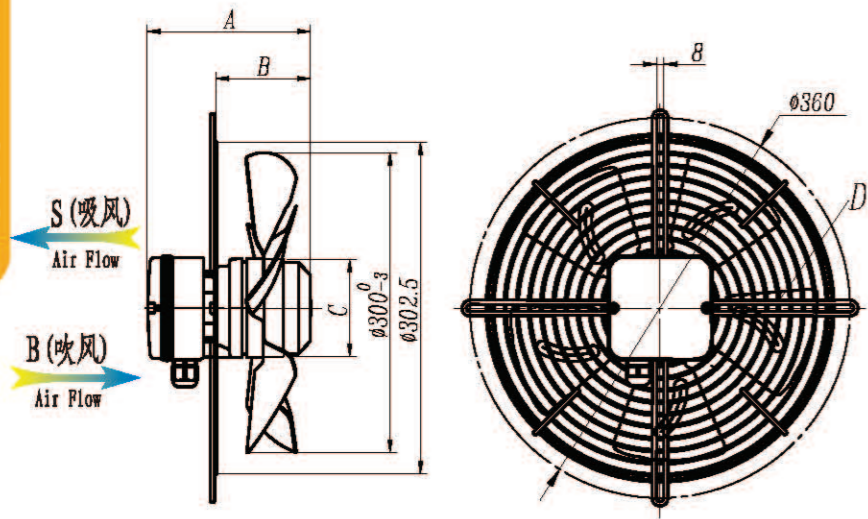


### 技术参数 Technical data

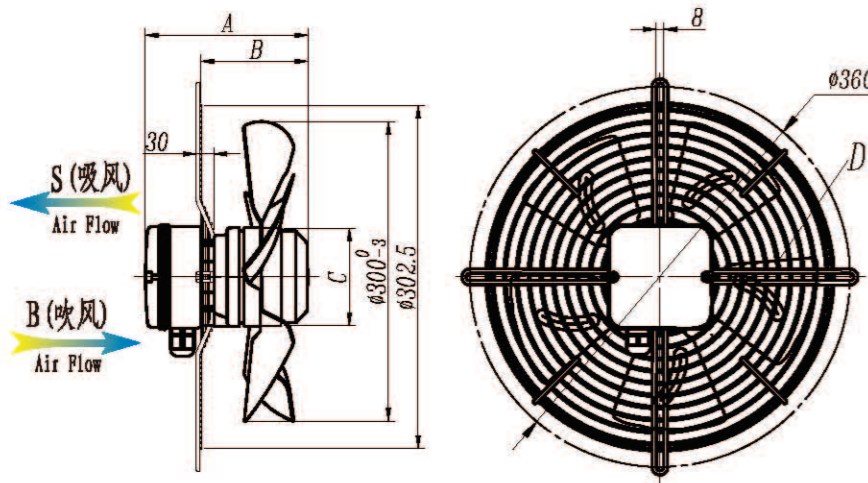
型号 Model	曲线 Curve NO.	额定电压 Voltage	频率 Frequency	额定电流 Current	输入功率 Power input	转速 Speed	噪音 Noise	电容 Capacitor	额定风量 / 许用静压 Air Volume / Max. static Pressure	净重 N.W.
	#	V	Hz	A	W	RPM	dB(A)	μF	m³/h / Pa	Kg
YWF4D-300-B5Z	①	380	50	0.22	70	1440	60	/	1450 / 60	3.2
	②	400	60	0.18	85	1600	62	/	1525 / 68	3.2
YWF4E-300-B5Z	①	220	50	0.4	80	1380	60	2	1450 / 60	3.2
	②	230	60	0.52	110	1500	62	2	1525 / 68	3.2
YWF2D-300-B5L	③	380	50	0.5	250	2500	70	/	2065 / 100	3.3
YWF2E-300-B5L	③	220	50	0.85	180	2300	70	8	2165 / 105	3.3
YWF4E-300M-B6L	④	220	50	0.42	85	1400	68	3	1700 / 65	3.6
	⑤	230	60	0.36	80	1700	70	2.5	1785 / 60	3.6
YWF4D-300M-B6L	④	380	50	0.2	70	1400	68	/	1700 / 65	3.6
YWF4E-300F-B5P	⑥	220	50	0.44	93	1330	60	2.5	2390 / 60	3.2
YWF4D-300F-B5P	⑥	220	50	0.23	85	1360	60	/	2390 / 60	3.2

• 表中参数如有更改恕不另行通知 We will not inform you if we change the data in the form



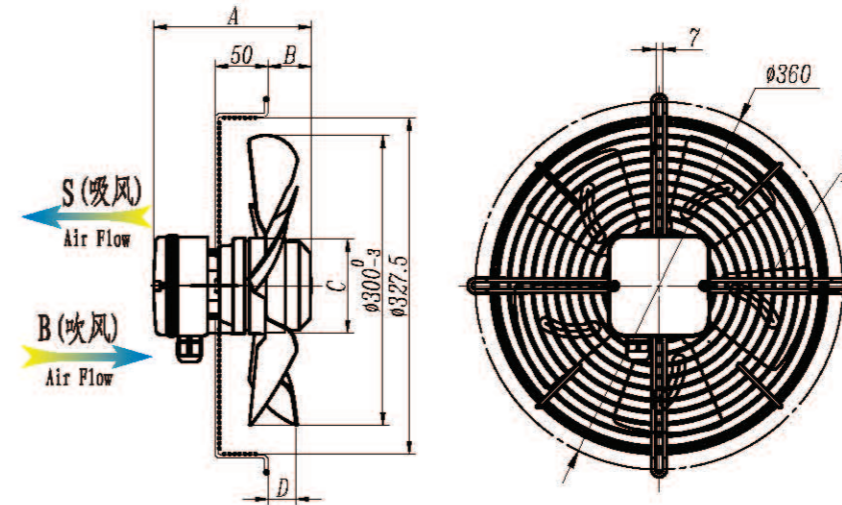


型号 MODEL	尺寸				叶片数量
	A	B	C	D	
YWF4D(E)-300S(B)-BSZ	155	90	92	5	
YWF2D(E)-300S(B)-BSL	162	97	92	5	
YWF4D(E)-300MS(B)-B6L	175.5	110.5	102	6	
YWF4D(E)-300PS(B)-BSL	155	90	92	5	

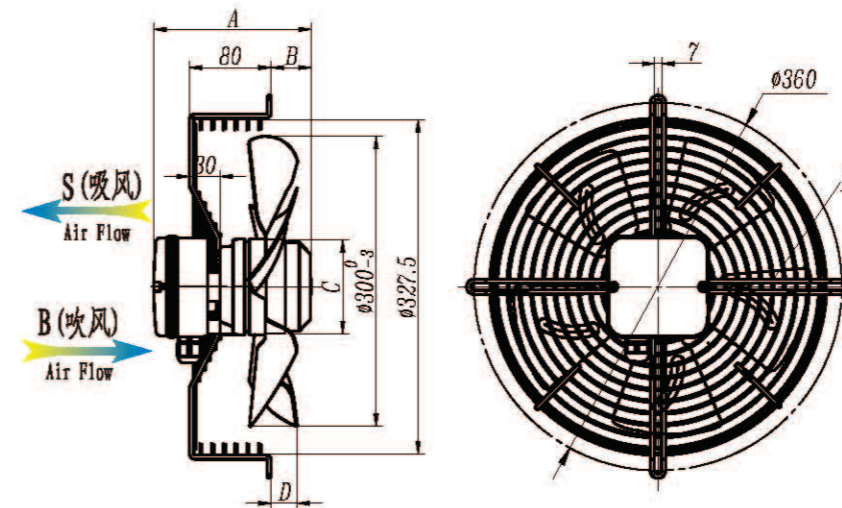


型号 MODEL	尺寸				叶片数量
	A	B	C	D	
YWF4D(E)-300S(B)-CSZ	155	120	92	5	
YWF2D(E)-300S(B)-CSL	162	127	92	5	
YWF4D(E)-300MS(B)-C6L	175.5	140.5	102	6	
YWF4D(E)-300PS(B)-CSL	155	120	92	5	

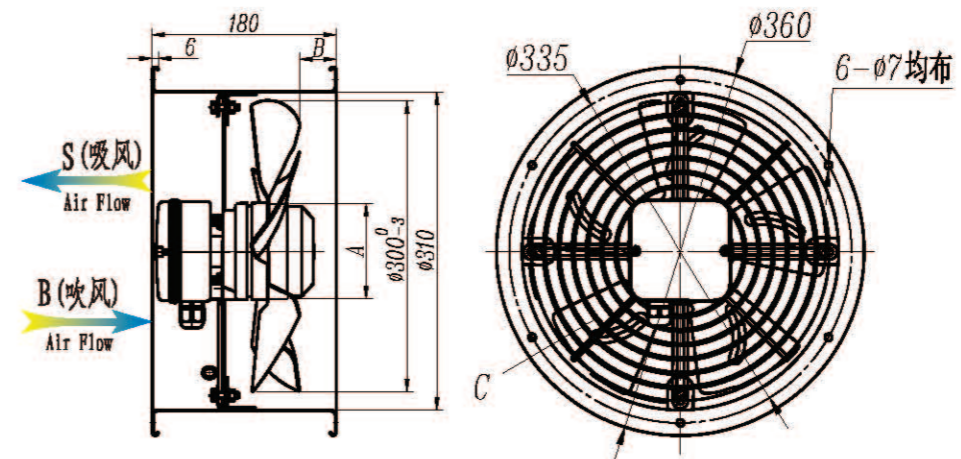
Model NO. B	Model NO. C	Model NO. D	Model NO. E	Model NO. H	Model NO. G	Model NO. K
YWF4D(E)-300S(B)-BSZ	YWF4D(E)-300S(B)-CSZ	YWF4D(E)-300S(B)-DSZ	YWF4D(E)-300S(B)-BSZ	YWF4D(E)-300S(B)-HSZ	YWF4D(E)-300S(B)-GSZ	/
YWF2D(E)-300S(B)-BSL	YWF2D(E)-300S(B)-CSL	YWF2D(E)-300S(B)-DSL	YWF2D(E)-300S(B)-BSL	YWF2D(E)-300S(B)-HSL	YWF2D(E)-300S(B)-GSL	/
YWF4D(E)-300MS(B)-B6L	YWF4D(E)-300MS(B)-C6L	YWF4D(E)-300MS(B)-D6L	YWF4D(E)-300MS(B)-B6L	YWF4D(E)-300MS(B)-H6L	YWF4D(E)-300MS(B)-G6L	/
YWF4D(E)-300PS(B)-BSF	YWF4D(E)-300PS(B)-CSF	YWF4D(E)-300PS(B)-DSF	YWF4D(E)-300PS(B)-BSF	YWF4D(E)-300PS(B)-HSF	YWF4D(E)-300PS(B)-GSF	YWF4D(E)-300PS(B)-KSF



型号 MODEL	尺寸				叶片数量
	A	B	C	D	
YWF4D(E)-300S(B)-DSZ	155	40	92	24	5
YWF2D(E)-300S(B)-DSL	162	47	92	37	5
YWF4D(E)-300MS(B)-D6L	175.5	60.5	102	51	6
YWF4D(E)-300PS(B)-DSL	155	40	92	40.5	5

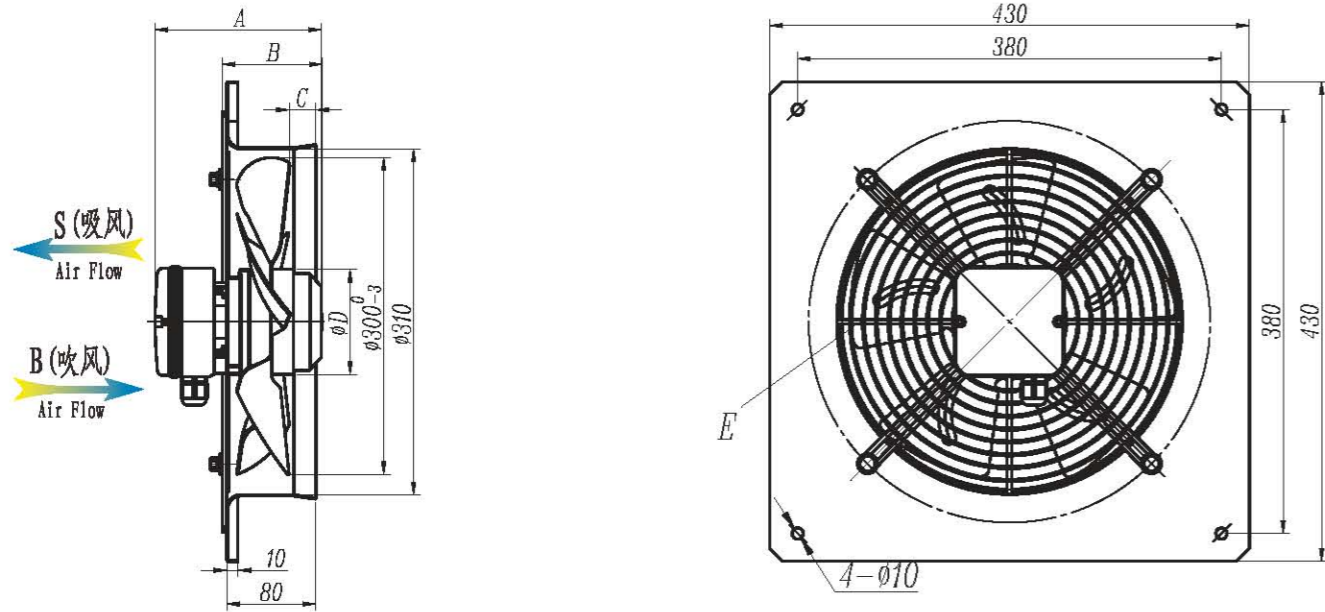


型号 MODEL	尺寸				叶片数量
	A	B	C	D	
YWF4D(E)-300S(B)-BSZ	155	40	92	24	5
YWF2D(E)-300S(B)-BSL	162	47	92	37	5
YWF4D(E)-300MS(B)-B6L	175.5	60.5	102	51	6
YWF4D(E)-300PS(B)-BSL	155	40	92	40.5	5

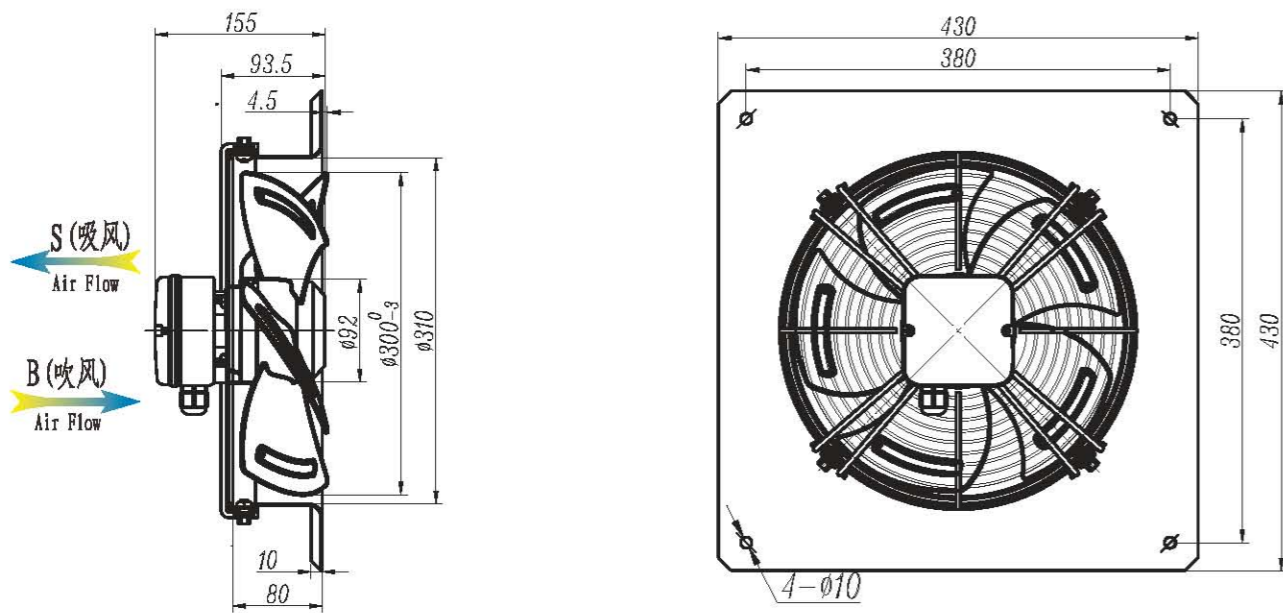


型号 MODEL	尺寸		叶片数量
	A	B	
YWF4D(E)-300S(B)-HSZ	92	45.5	5
YWF2D(E)-300S(B)-HSL	92	46.5	5
YWF4D(E)-300MS(B)-H6L	102	12.5	6
YWF4D(E)-300PS(B)-H5L	92	20	5

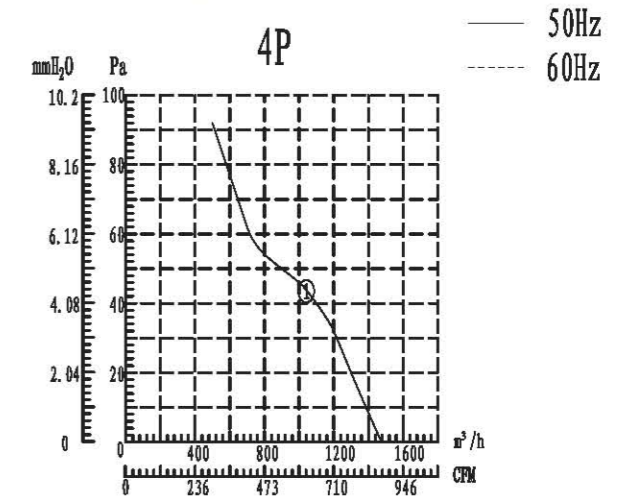




型号 MODEL	尺寸					叶片数量
	A	B	C	D	E	
YWF4D(B)-300S(B)-GSZ	155	94	6	92	5	
YWF2D(B)-300S(B)-GSL	162	101	7	92	5	
YWF4D(B)-300MS(B)-GGL	175.5	114.5	34.5	102	6	
YWF4D(B)-300FS(B)-GSL	155	94	-10.5	92	5	



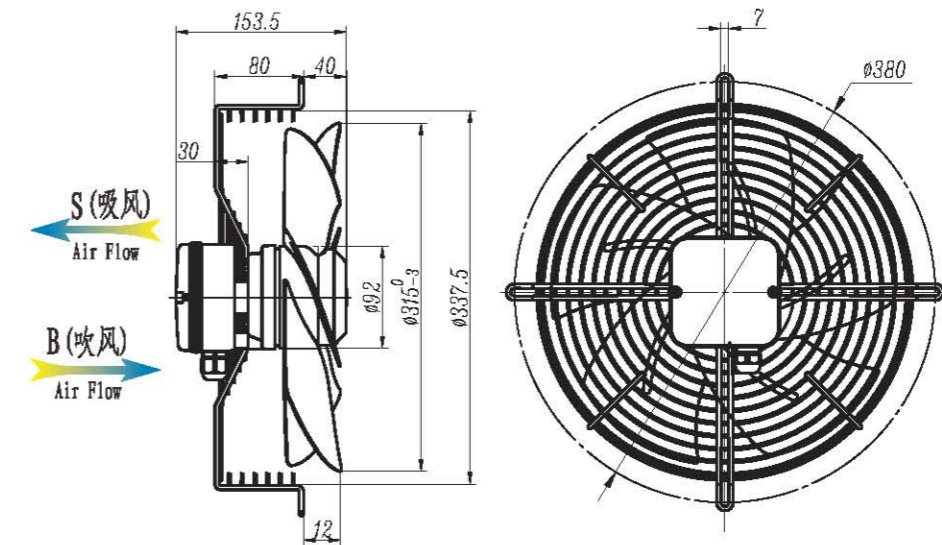
- 防护等级：IP54  
Type of protection: IP54
- 绝缘等级：“B” “F”  
Insulation class: “B” “F”
- 工作方式：S1  
Mode of operation: S1
- 轴承：免维护轴承  
Bearings: Maintenance-free bearings



### 技术参数 Technical data

型号 Model	曲线 Curve NO.	额定电压 Voltage	频率 Frequency	额定电流 Current	输入功率 Power Input	转速 Speed	噪音 Noise	电容 Capacitor	额定风量 Air Volume	许用静压 Max. static Pressure	净重 N.W.
型号 Model	#	V	Hz	A	W	RPM	dB(A)	μF	m³/h / Pa	kg	
YWF4E-315S(B)-E5L	①	220	50	0.4	85	1380	62	2	1475 / 65	3.8	
YWF4D-315S(B)-E5L		380	50	0.25	70	1400	62	/	1475 / 65	3.8	

表中参数如有更改恕不另行通知 We will not inform you if we change the data in the form

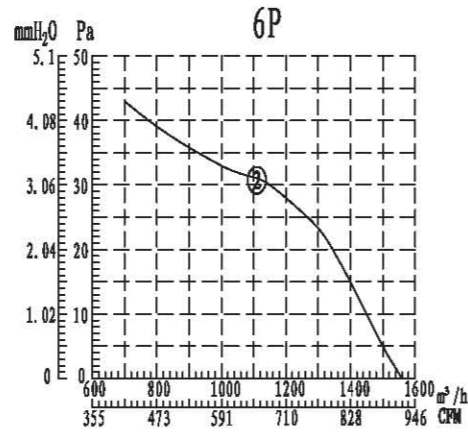
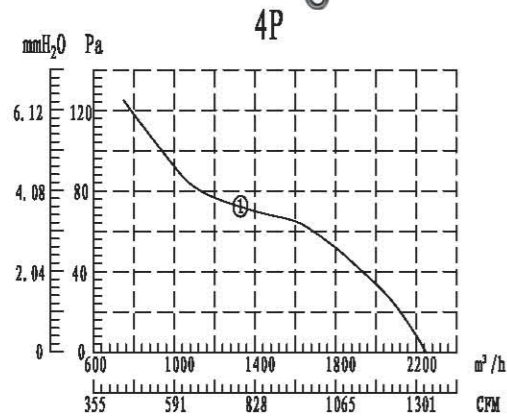






- 防护等级：IP54  
Type of protection: IP54
- 绝缘等级：“B” “F”  
Insulation class: “B” “F”
- 工作方式：S1  
Mode of operation: S1
- 轴承：免维护轴承  
Bearings: Maintenance-free bearings

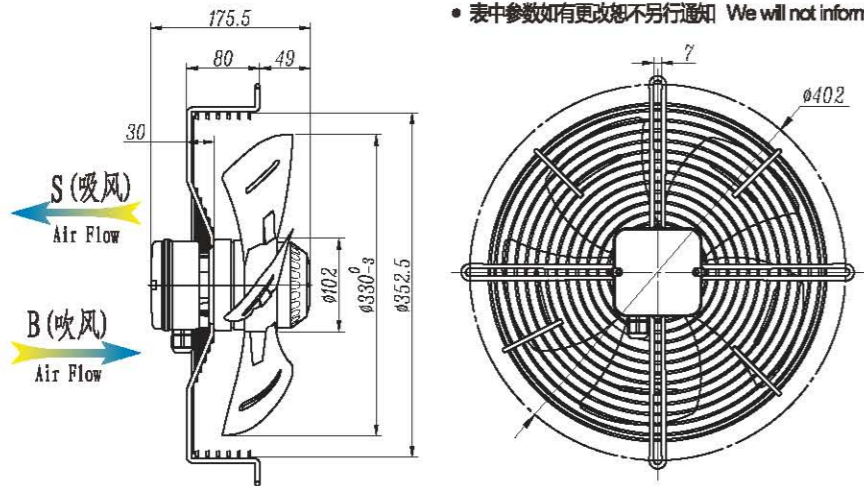
— 50Hz  
- - - 60Hz



技术参数 Technical data

型号 Model	曲线 Curve NO.	额定电压 Voltage	频率 Frequency	额定电流 Current	输入功率 Power input	转速 Speed	噪音 Noise	电容 Capacitor	额定风量 / 许用静压 Air Volume / Max. static Pressure	净重 N.W.
	#	V	Hz	A	W	RPM	dB(A)	μF	m³/h / Pa	Kg
YWF4D-330S(B)-BSL	①	380	50	0.4	125	1400	63	/	2250 / 95	4.5
YWF4B-330S(B)-BSL	①	220	50	0.6	125	1380	63	4	2250 / 95	4.5
YWF6D-330S(B)-BSL	②	380	50	0.3	85	950	52	/	1560 / 72	4.5

• 表中参数如有更改恕不另行通知 We will not inform you if we change the data in the form



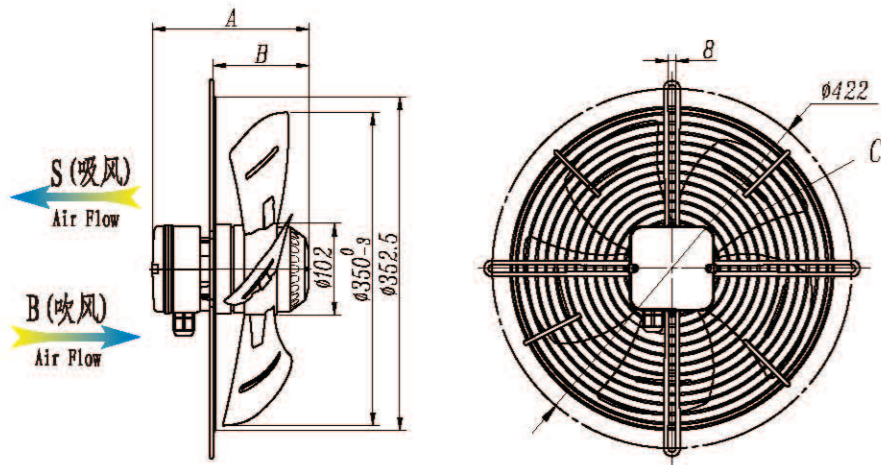
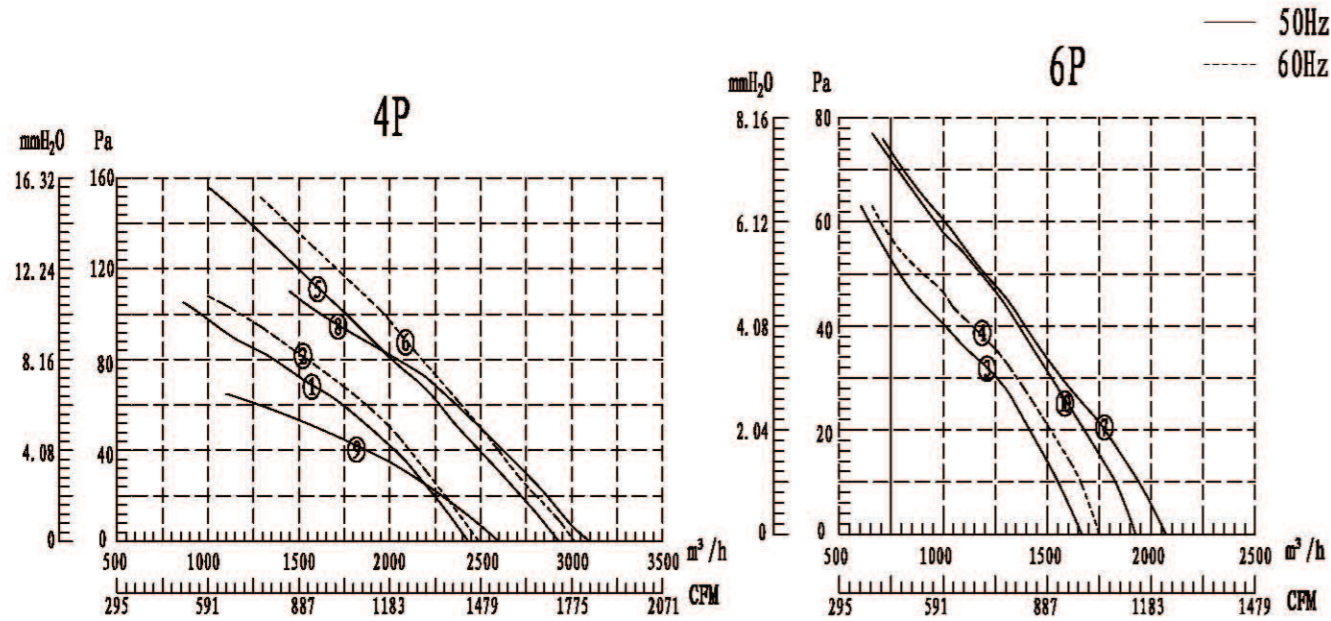
- 防护等级：IP54  
Type of protection: IP54
- 绝缘等级：“B” “F”  
Insulation class: “B” “F”
- 工作方式：S1  
Mode of operation: S1
- 轴承：免维护轴承  
Bearings: Maintenance-free bearings

技术参数 Technical data

型号 Model	曲线 Curve NO.	额定电压 Voltage	频率 Frequency	额定电流 Current	输入功率 Power input	转速 Speed	噪音 Noise	电容 Capacitor	额定风量 / 许用静压 Air Volume / Max. static Pressure	净重 N.W.
	#	V	Hz	A	W	RPM	dB(A)	μF	m³/h / Pa	Kg
YWF4D-350-B5L	①	380	50	0.45	150	1380	65	/	2350 / 90	4.6
	②	400	60	0.4	180	1600	68	/	2470 / 92	4.6
YWF4E-350-B5L	①	220	50	0.7	150	1380	65	4	2350 / 90	4.6
	②	230	60	0.8	180	1600	68	4	2470 / 92	4.6
YWF6D-350-B5L	③	380	50	0.3	90	950	52	/	1670 / 80	4.6
	④	400	60	0.25	85	1100	58	/	1755 / 85	4.6
YWF6E-350-B5L	③	220	50	0.31	62	930	52	2	1670 / 80	4.6
	④	230	60	0.33	75	1100	58	2	1755 / 85	4.6
YWF4E-350M-B5L	⑤	220	50	0.78	170	1380	70	6	2935 / 80	4.6
	⑥	230	60	1.2	250	1600	72	6	3080 / 82	4.6
YWF4D-350M-B5L	⑤	380	50	0.38	150	1390	72	/	2935 / 65	4.6
YWF6D-350M-B5L	⑦	380	50	0.28	80	950	58	/	2065 / 80	4.4
YWF6E-350M-B5L	⑦	220	50	0.4	95	950	58	4	2065 / 80	4.4
YWF4D-350G-E7L	⑧	400▲	50	0.36	190	1350	70	/	3100 / 75	6
	⑨	400Y	50	0.23	131	990	65	/	2600 / 40	6
YWF4E-350G-E7L	⑧	220	50	1.01	216	1400	71	5	3100 / 60	6
YWF6D-350T-E6L	⑩	380	50	0.27	90	920	60	/	1925 / 70	5.2
YWF6E-350T-E6L	⑩	220	50	0.47	100	900	60	/	1925 / 70	5.2

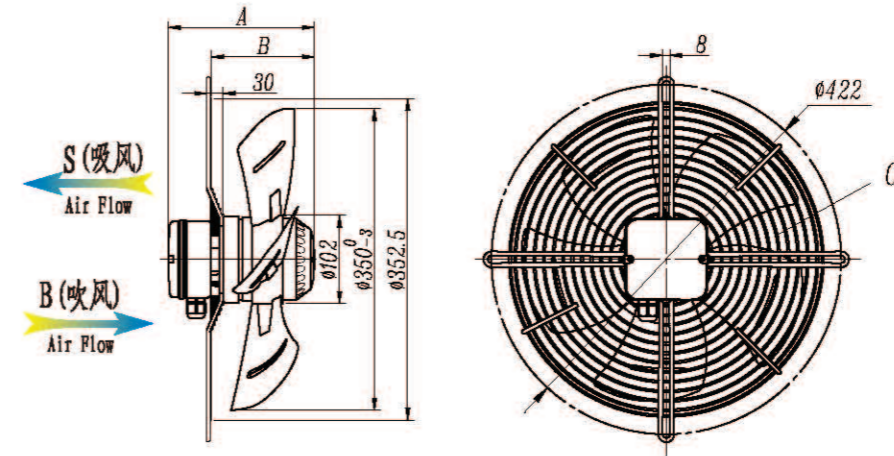
• 表中参数如有更改恕不另行通知 We will not inform you if we change the data in the form



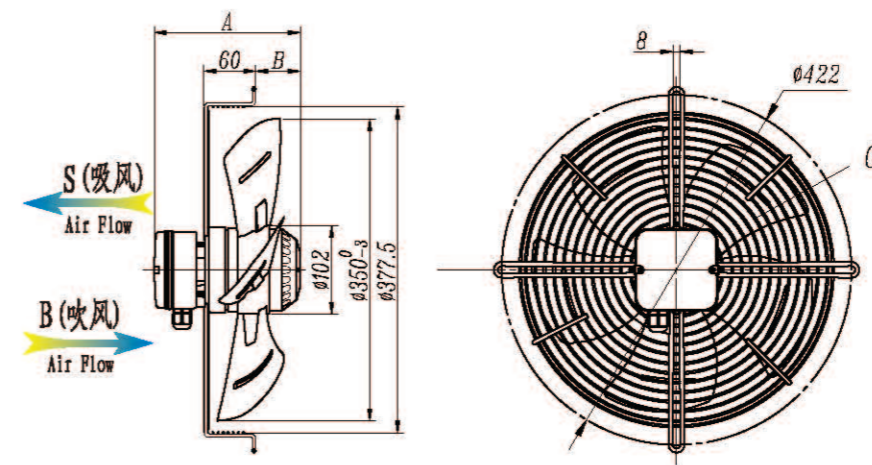


型号 MODEL	尺寸		叶片数量
	A	B	
YWF4D (E)-350S (B)-BSL	175.5	105.5	5
YWF6D (E)-350S (B)-BSL	175.5	105.5	5
YWF4D (E)-350MS (B)-BSL	187.5	117.5	5
YWF6D (E)-350MS (B)-BSL	187.5	117.5	5
YWF4D (E)-350GS (B)-B7L	187.5	117.5	7
YWF6D (E)-350TS (B)-B7L	187.5	117.5	7

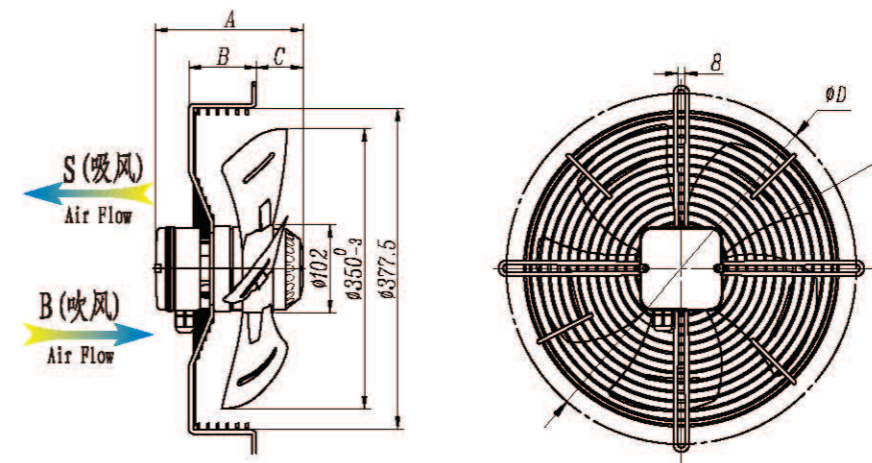
Model NO. B	Model NO. C	Model NO. D	Model NO. E	Model NO. H	Model NO. G	Model NO. K
YWF4D (E)-350S (B)-BSL	YWF4D (E)-350S (B)-CSL	YWF4D (E)-350S (B)-DSL	YWF4D (E)-350S (B)-BSL	YWF4D (E)-350S (B)-HSL	YWF4D (E)-350S (B)-GSL	YWF4D (E)-350S (B)-KSL
YWF6D (E)-350S (B)-BSL	YWF6D (E)-350S (B)-CSL	YWF6D (E)-350S (B)-DSL	YWF6D (E)-350S (B)-BSL	YWF6D (E)-350S (B)-HSL	YWF6D (E)-350S (B)-GSL	YWF6D (E)-350S (B)-KSL
YWF4D (E)-350MS (B)-BSL	YWF4D (E)-350MS (B)-CSL	YWF4D (E)-350MS (B)-DSL	YWF4D (E)-350MS (B)-BSL	YWF4D (E)-350MS (B)-HSL	YWF4D (E)-350MS (B)-GSL	YWF4D (E)-350MS (B)-KSL
YWF6D (E)-350MS (B)-BSL	YWF6D (E)-350MS (B)-CSL	YWF6D (E)-350MS (B)-DSL	YWF6D (E)-350MS (B)-BSL	YWF6D (E)-350MS (B)-HSL	YWF6D (E)-350MS (B)-GSL	YWF6D (E)-350MS (B)-KSL
YWF4D (E)-350GS (B)-B7L	YWF4D (E)-350GS (B)-C7L	YWF4D (E)-350GS (B)-D7L	YWF4D (E)-350GS (B)-B7L	YWF4D (E)-350GS (B)-H7L	YWF4D (E)-350GS (B)-G7L	YWF4D (E)-350GS (B)-K7L
YWF6D (E)-350TS (B)-B7L	YWF6D (E)-350TS (B)-C7L	YWF6D (E)-350TS (B)-D7L	YWF6D (E)-350TS (B)-B7L	YWF6D (E)-350TS (B)-H7L	YWF6D (E)-350TS (B)-G7L	YWF6D (E)-350TS (B)-K7L



型号 MODEL	尺寸		叶片数量
	A	B	
YWF4D (E)-350S (B)-BSL	175.5	135.5	5
YWF6D (E)-350S (B)-BSL	175.5	135.5	5
YWF4D (E)-350MS (B)-BSL	187.5	147.5	5
YWF6D (E)-350MS (B)-BSL	187.5	147.5	5
YWF4D (E)-350GS (B)-B7L	187.5	147.5	7
YWF6D (E)-350TS (B)-B7L	187.5	147.5	7

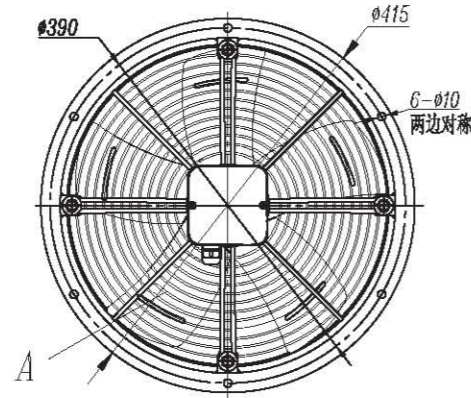
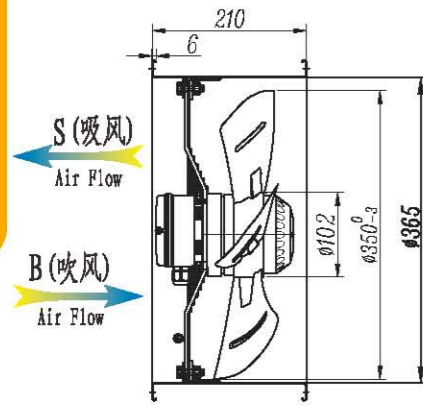


型号 MODEL	尺寸		叶片数量
	A	B	
YWF4D (E)-350S (B)-BSL	175.5	50.5	5
YWF6D (E)-350S (B)-BSL	175.5	50.5	5
YWF4D (E)-350MS (B)-BSL	187.5	67.5	5
YWF6D (E)-350MS (B)-BSL	187.5	67.5	5
YWF4D (E)-350GS (B)-B7L	187.5	67.5	7
YWF6D (E)-350TS (B)-B7L	187.5	67.5	7

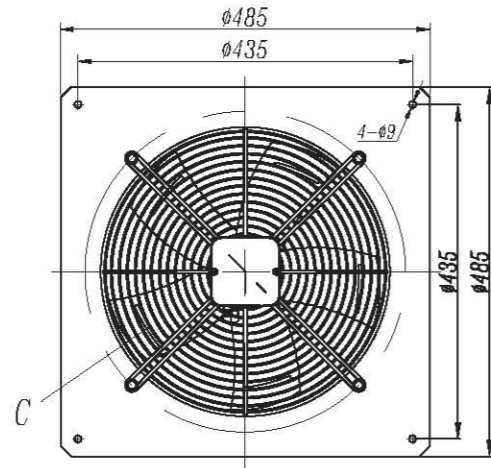
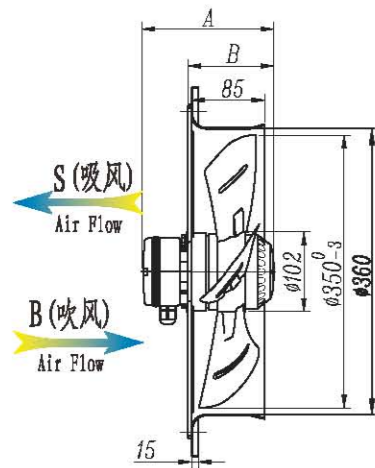


型号 MODEL	尺寸				叶片数量
	A	B	C	D	
YWF4D (E)-350S (B)-BSL	175.5	80	55.5	422	5
YWF6D (E)-350S (B)-BSL	175.5	80	55.5	422	5
YWF4D (E)-350MS (B)-BSL	187.5	80	62.5	422	5
YWF6D (E)-350MS (B)-BSL	187.5	80	62.5	422	5
YWF4D (E)-350GS (B)-B7L	187.5	79	63	395	7
YWF6D (E)-350TS (B)-B7L	187.5	79	63	395	7

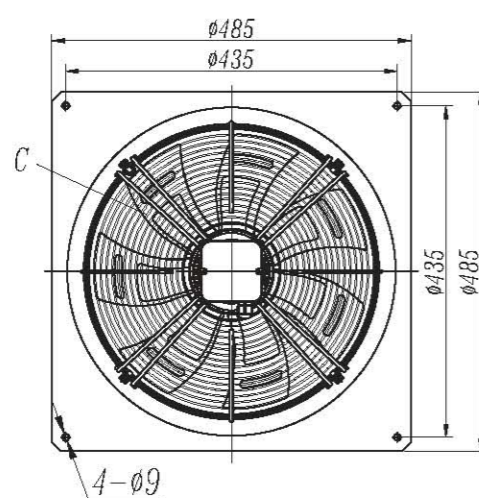
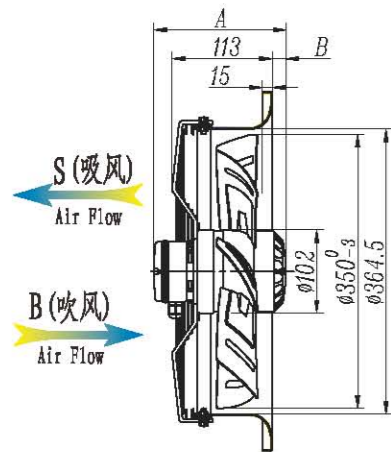




型号 MODEL	叶片数量 A
YWF4D (B)-350S (B)-BSL	5
YWF6D (B)-350S (B)-BSL	5
YWF4D (E)-350MS (B)-BSL	5
YWF6D (E)-350MS (B)-BSL	5
YWF4D (E)-350GS (B)-B7L	7
YWF6D (E)-350TS (B)-B7L	7



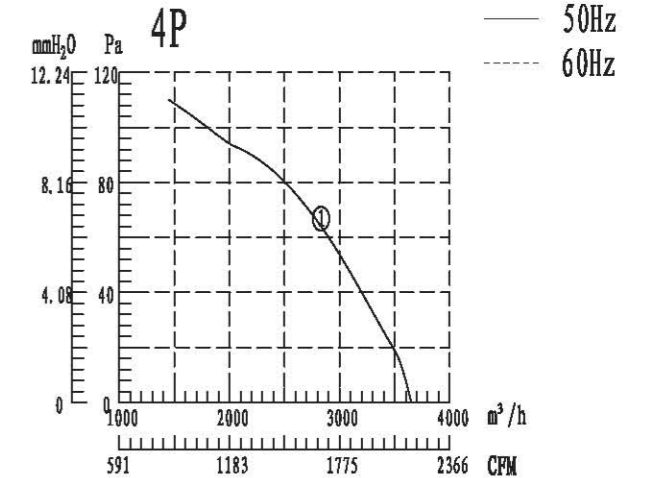
型号 MODEL	尺寸			叶片数量
	A	B	C	
YWF4D (B)-350S (B)-BSL	175.5	110.5	5	
YWF6D (B)-350S (B)-BSL	175.5	110.5	5	
YWF4D (E)-350MS (B)-BSL	187.5	122.5	5	
YWF6D (E)-350MS (B)-BSL	187.5	122.5	5	
YWF4D (E)-350GS (B)-B7L	187.5	142.5	7	
YWF6D (E)-350TS (B)-B7L	187.5	142.5	7	



型号 MODEL	尺寸			叶片数量
	A	B	C	
YWF4D (B)-350S (B)-BSL	175.5	18	5	
YWF6D (B)-350S (B)-BSL	175.5	18	5	
YWF4D (E)-350MS (B)-BSL	187.5	30	5	
YWF6D (E)-350MS (B)-BSL	187.5	30	5	
YWF4D (E)-350GS (B)-B7L	187.5	30	7	
YWF6D (E)-350TS (B)-B7L	187.5	30	7	



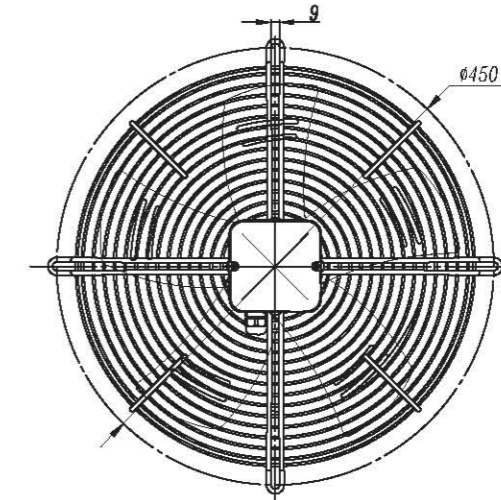
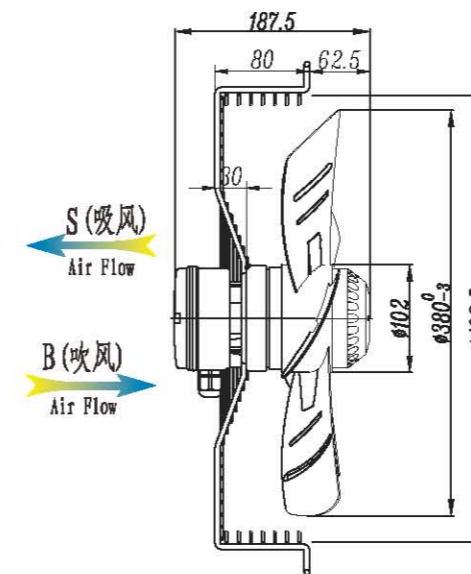
- 防护等级：IP54  
Type of protection: IP54
- 绝缘等级：“B” “F”  
Insulation class: “B” “F”
- 工作方式：S1  
Mode of operation: S1
- 轴承：免维护轴承  
Bearings: Maintenance-free bearings



技术参数 Technical data

型号 Model	曲线 Curve NO.	额定电压 Voltage	频率 Frequency	额定电流 Current	输入功率 Power input	转速 Speed	噪音 Noise	电容 Capacitor	额定风量 / 许用静压 Air Volume / Max static Pressure	净重 N.W.
YWF4E-380S (B)-BSL	①	220	50	1.0	200	1380	65	6	3645 / 92	4.9
YWF4D-380S (B)-BSL	①	380	50	0.5	200	1400	65	/	3645 / 92	4.9

• 表中参数如有更改恕不另行通知 We will not inform you if we change the data in the form





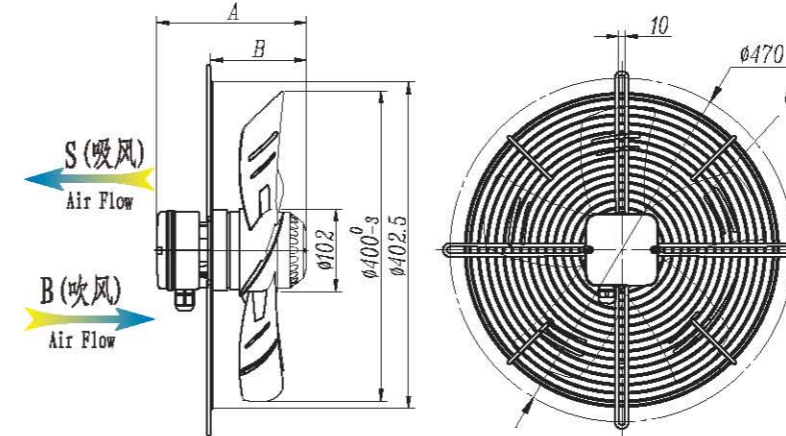
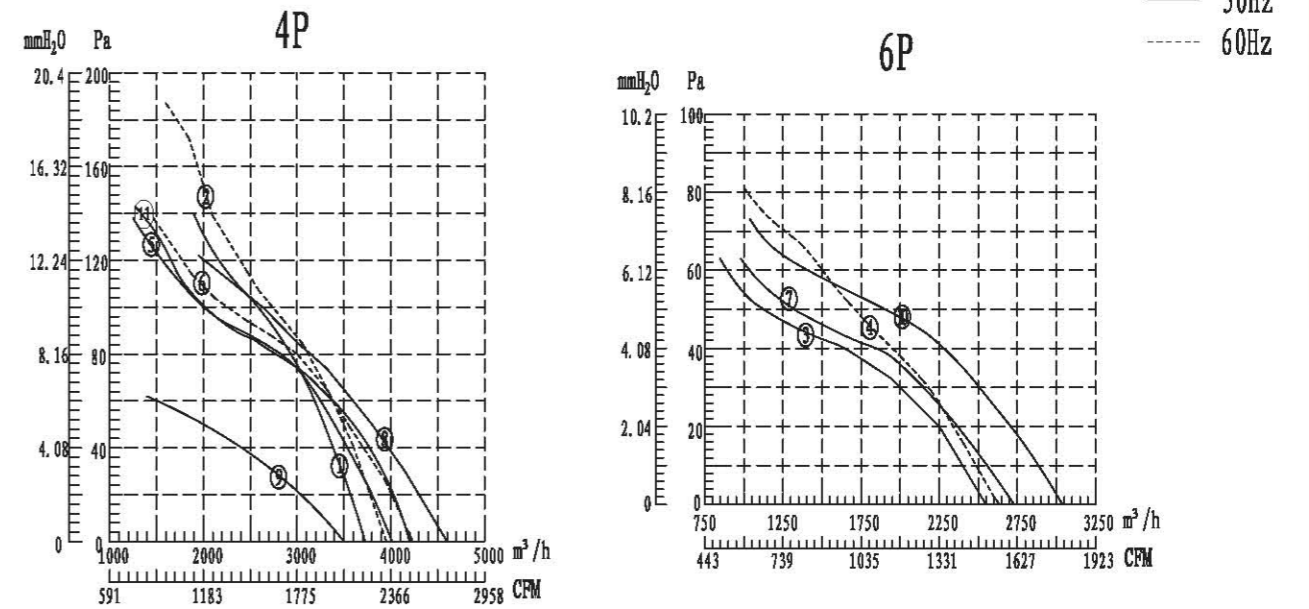


- 防护等级：IP54  
Type of protection: IP54
- 绝缘等级：“B” “F”  
Insulation class: “B” “F”
- 工作方式：S1  
Mode of operation: S1
- 轴承：免维护轴承  
Bearings: Maintenance-free bearings

技术参数 Technical data

型号 Model	曲线 Curve NO.	额定电压 Voltage	频率 Frequency	额定电流 Current	输入功率 Power input	转速 Speed	噪音 Noise	电容 Capacitor	额定风量 / 许用静压 Air Volume / Max static Pressure	净重 N.W.
	#	V	Hz	A	W	RPM	dB(A)	μF	m <sup>3</sup> /h / Pa	Kg
YWF4D-400-B5L	①	380	50	0.6	200	1380	68	/	3745 / 100	5.2
	②	400	60	0.65	300	1500	70	/	3935 / 105	5.2
YWF4E-400-B5L	①	220	50	0.92	210	1350	68	6	3745 / 100	5.2
	②	230	60	1.05	225	1560	70	5	3935 / 105	5.2
YWF6D-400-B5L	③	380	50	0.31	105	920	58	/	2555 / 65	5.2
	④	400	60	0.27	130	1050	60	/	2685 / 72	5.2
YWF6E-400-B5L	③	220	50	0.45	105	920	58	4	2555 / 65	5.2
	④	230	60	0.55	125	1100	60	3	2685 / 72	5.2
YWF4D-400M-B5L	⑤	380	50	0.52	210	1380	72	/	4015 / 105	5.2
	⑥	400	60	0.6	300	1580	74	/	4215 / 95	5.2
YWF4E-400M-B5L	⑤	220	50	1.1	235	1320	72	6	4015 / 105	5.2
	⑥	230	60	1.5	350	1600	74	8	4215 / 95	5.2
YWF6D-400M-B5L	⑦	380	50	0.35	110	920	62	6	2735 / 70	5.0
YWF4D-400G-E7L	⑧	400▲	50	0.56	295	1320	72	/	4600 / 85	6.0
	⑨	400Y	50	0.32	179	940	65	/	3500 / 35	6.0
YWF4E-400G-E7L	⑧	220	50	1.46	325	1390	72	4	4700 / 75	6.0
YWF6D-400T-E7L	⑩	380	50	0.4	140	915	60	/	3040 / 70	5.5
YWF6E-400T-E7L	⑩	220	50	0.64	140	900	60	5	3040 / 70	5.6
YWF4D-400P-E7F	⑪	380	50	0.52	240	1330	68	/	4200 / 120	6.0

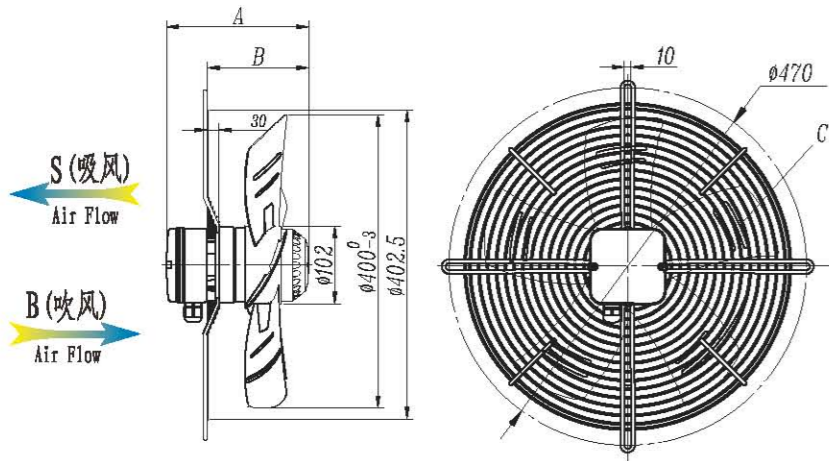
• 表中参数如有更改恕不另行通知 We will not inform you if we change the data in the form



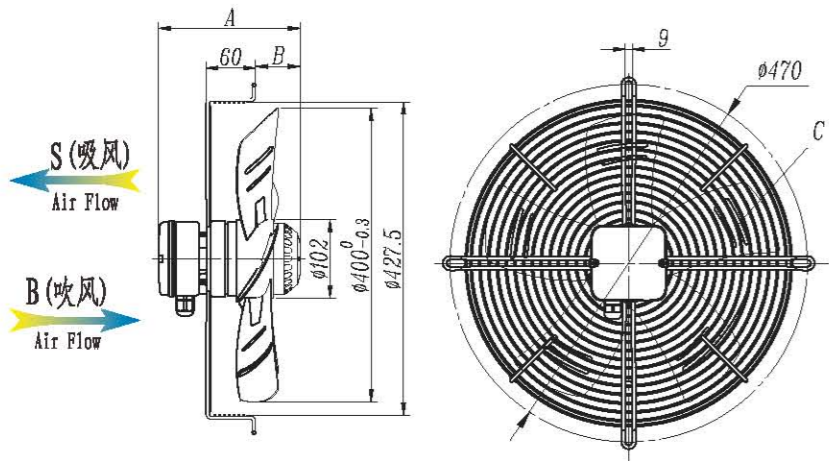
型号 MODEL	尺寸 A	尺寸 B	叶片数量 C
YWF4B(4D)-400S(B)-B5L	187.5	117.5	5
YWF6B(6D)-400S(B)-B5L	187.5	117.5	5
YWF4E(4D)-400MS(B)-B5L	200	130	5
YWF6E(6D)-400MS(B)-B5L	200	130	5
YWF4E(4D)-400GS(B)-B7L	200	130	7
YWF6E(6D)-400TS(B)-B6L	187.5	117.5	6
YWF4D-400PS(B)-B7F	187.5	117.5	7

Model NO. B	Model NO. C	Model NO. D	Model NO. E	Model NO. H	Model NO. G	Model NO. K
YWF4D(E)-400S(B)-B5L	YWF4D(E)-400S(B)-C5L	YWF4D(E)-400S(B)-D5L	YWF4D(E)-400S(B)-B5L	YWF4D(E)-400S(B)-H5L	YWF4D(E)-400S(B)-G5L	YWF4D(E)-400S(B)-K5L
YWF6D(E)-400S(B)-B5L	YWF6D(E)-400S(B)-C5L	YWF6D(E)-400S(B)-D5L	YWF6D(E)-400S(B)-B5L	YWF6D(E)-400S(B)-H5L	YWF6D(E)-400S(B)-G5L	YWF6D(E)-400S(B)-K5L
YWF4D(E)-400MS(B)-B5L	YWF4D(E)-400MS(B)-C5L	YWF4D(E)-400MS(B)-D5L	YWF4D(E)-400MS(B)-B5L	YWF4D(E)-400MS(B)-H5L	YWF4D(E)-400MS(B)-G5L	YWF4D(E)-400MS(B)-K5L
YWF6D(E)-400MS(B)-B5L	YWF6D(E)-400MS(B)-C5L	YWF6D(E)-400MS(B)-D5L	YWF6D(E)-400MS(B)-B5L	YWF6D(E)-400MS(B)-H5L	YWF6D(E)-400MS(B)-G5L	YWF6D(E)-400MS(B)-K5L
YWF4D(E)-400GS(B)-B7L	YWF4D(E)-400GS(B)-C7L	YWF4D(E)-400GS(B)-D7L	YWF4D(E)-400GS(B)-B7L	YWF4D(E)-400GS(B)-H7L	YWF4D(E)-400GS(B)-G7L	YWF4D(E)-400GS(B)-K7L
YWF6D(E)-400TS(B)-B6L	YWF6D(E)-400TS(B)-C6L	YWF6D(E)-400TS(B)-D6L	YWF6D(E)-400TS(B)-B6L	YWF6D(E)-400TS(B)-H6L	YWF6D(E)-400TS(B)-G6L	YWF6D(E)-400TS(B)-K6L
YWF4D-400PS-B7F	YWF4D-400PS-C7F	YWF4D-400PS-D7F	YWF4D-400PS-B7F	YWF4D-400PS-H7F	YWF4D-400PS-G7F	YWF4D-400PS-K7F

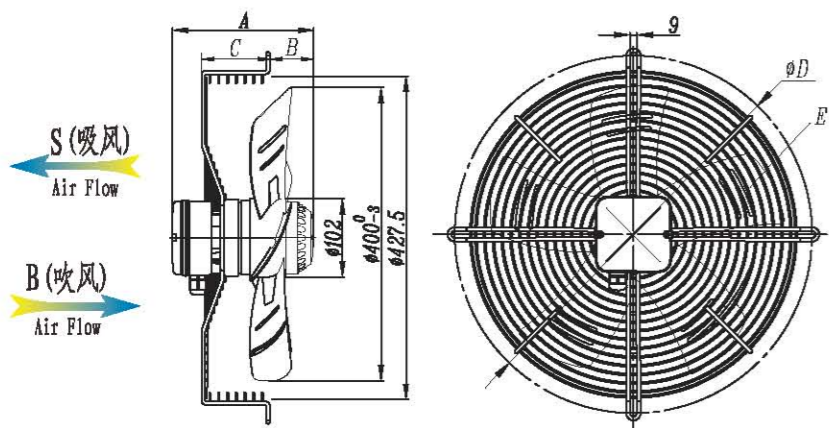




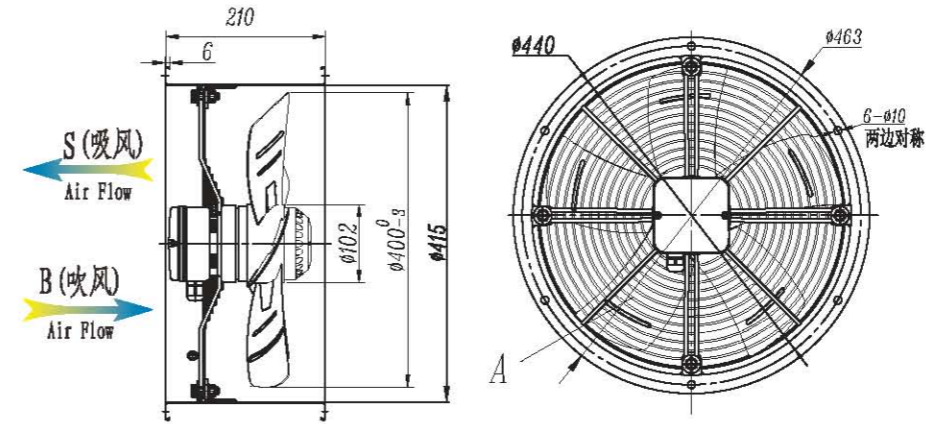
型号 MODEL	尺寸叶片数量		
	A	B	C
YWF4E (4D)-400S (B)-CSL	187.5	152.5	5
YWF6E (6D)-400S (B)-CSL	187.5	152.5	5
YWF4E (4D)-400MS (B)-CSL	200	165	5
YWF6E (6D)-400MS (B)-CSL	200	165	5
YWF4E (4D)-400GS (B)-C7L	200	165	7
YWF6E (6D)-400TS (B)-C6L	187.5	152.5	6
YWF4D-400TS (B)-C7F	187.5	152.5	7



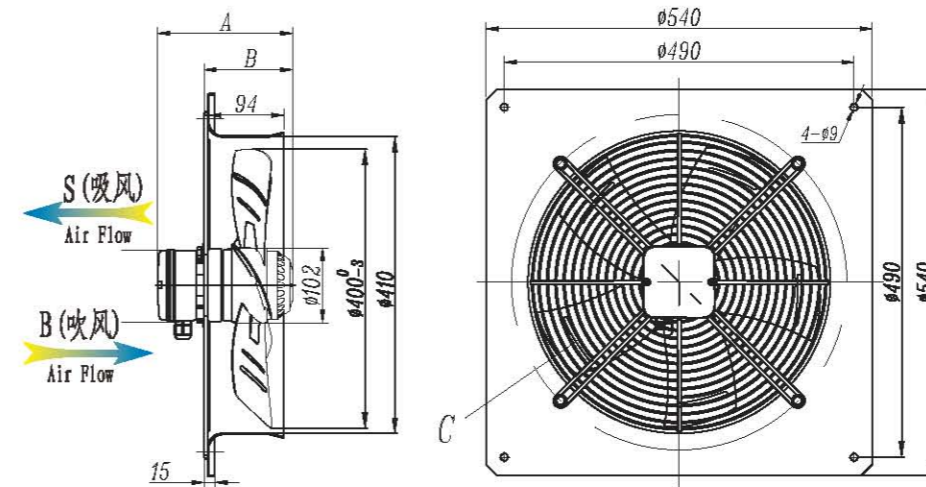
型号 MODEL	尺寸叶片数量		
	A	B	C
YWF4E (4D)-400S (B)-DSL	187.5	62.5	5
YWF6E (6D)-400S (B)-DSL	187.5	62.5	5
YWF4E (4D)-400MS (B)-DSL	200	75	5
YWF6E (6D)-400MS (B)-DSL	200	75	5
YWF4E (4D)-400GS (B)-D7L	200	62	7
YWF6E (6D)-400TS (B)-D6L	187.5	62.5	6
YWF4D-400FS (B)-D7F	187.5	62.5	7



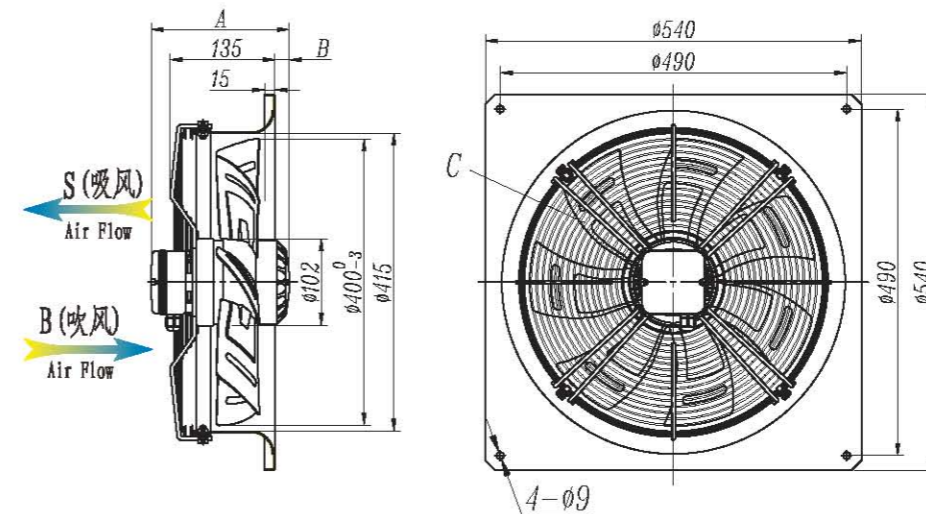
型号 MODEL	尺寸				叶片数量
	A	B	C	D	
YWF4E (4D)-400S (B)-E5L	187.5	62.5	90	470	5
YWF6E (6D)-400S (B)-E5L	187.5	62.5	90	470	5
YWF4E (4D)-400MS (B)-E5L	200	75	90	470	5
YWF6E (6D)-400MS (B)-E5L	200	75	90	470	5
YWF4E (4D)-400GS (B)-E7L	200	75	102	455	7
YWF6E (6D)-400TS (B)-E6L	200	75	102	470	6
YWF4D-400FS (B)-E7F	187.5	62.5	90	470	7



型号 MODEL	叶片数量	
	A	
YWF4E (4D)-400S (B)-BSL	5	
YWF6E (6D)-400S (B)-BSL	5	
YWF4E (4D)-400MS (B)-BSL	5	
YWF6E (6D)-400MS (B)-BSL	5	
YWF4E (4D)-400GS (B)-E7L	7	
YWF6E (6D)-400TS (B)-E6L	6	
YWF4D-400FS (B)-H7F	7	



型号 MODEL	尺寸			叶片数量
	A	B	C	
YWF4E (4D)-400S (B)-G5L	187.5	122.5	5	
YWF6E (6D)-400S (B)-G5L	187.5	122.5	5	
YWF4E (4D)-400MS (B)-G5L	200	135	5	
YWF6E (6D)-400MS (B)-G5L	200	135	5	
YWF4E (4D)-400GS (B)-G7L	200	156.5	7	
YWF6E (6D)-400TS (B)-G6L	187.5	179.5	6	
YWF4D-400FS (B)-G7F	187.5	144	7	

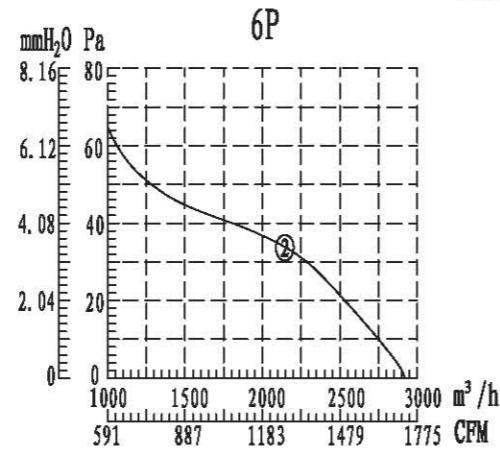
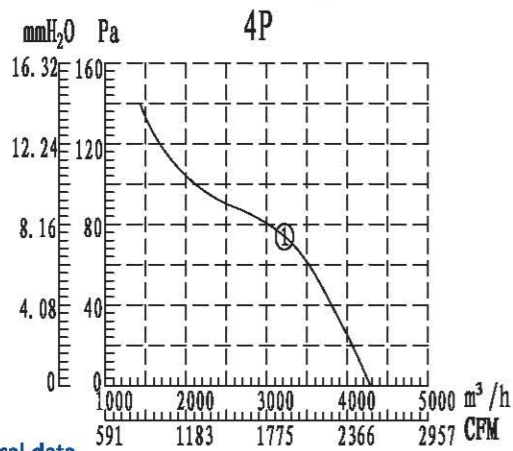


型号 MODEL	尺寸			叶片数量
	A	B	C	
YWF4E (4D)-400S (B)-K5L	187.5	9	5	
YWF6E (6D)-400S (B)-K5L	187.5	9	5	
YWF4E (4D)-400MS (B)-K5L	200	21.5	5	
YWF6E (6D)-400MS (B)-K5L	200	21.5	5	
YWF4E (4D)-400GS (B)-E7L	200	21.5	7	
YWF6E (6D)-400TS (B)-E6L	187.5	9	6	
YWF4D-400FS (B)-E7F	187.5	9	7	





- 防护等级：IP54  
Type of protection: IP54
- 绝缘等级：“B” “F”  
Insulation class: “B” “F”
- 工作方式：S1  
Mode of operation: S1
- 轴承：免维护轴承  
Bearings: Maintenance-free bearings

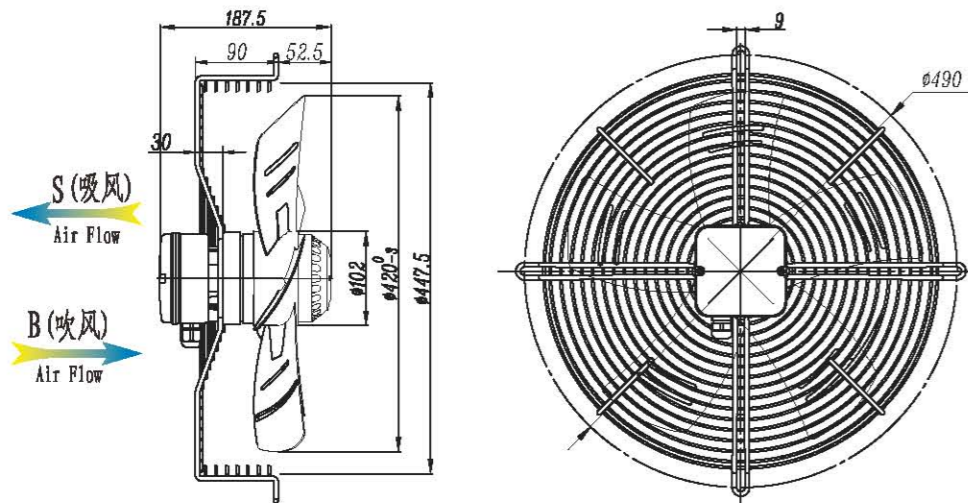


— 50Hz  
- - - 60Hz

技术参数 Technical data

型号 Model	曲线 Curve NO.	额定电压 Voltage	频率 Frequency	额定电流 Current	输入功率 Power input	转速 Speed	噪音 Noise	电容 Capacitor	额定风量 / 许用静压 Air Volume / Max. static Pressure	净重 N.W.
YWF4D-420S (B)-BSL	①	380	50	0.55	210	1350	68	/	4290 / 110	5.4
YWF6D-420S (B)-BSL	②	380	50	0.3	135	950	58	/	2900 / 65	5.4

• 表中参数如有更改恕不另行通知 We will not inform you if we change the data in the form



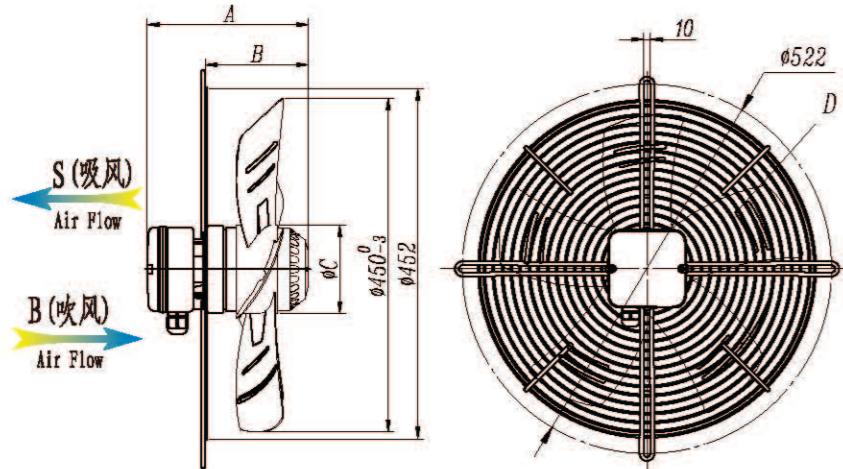
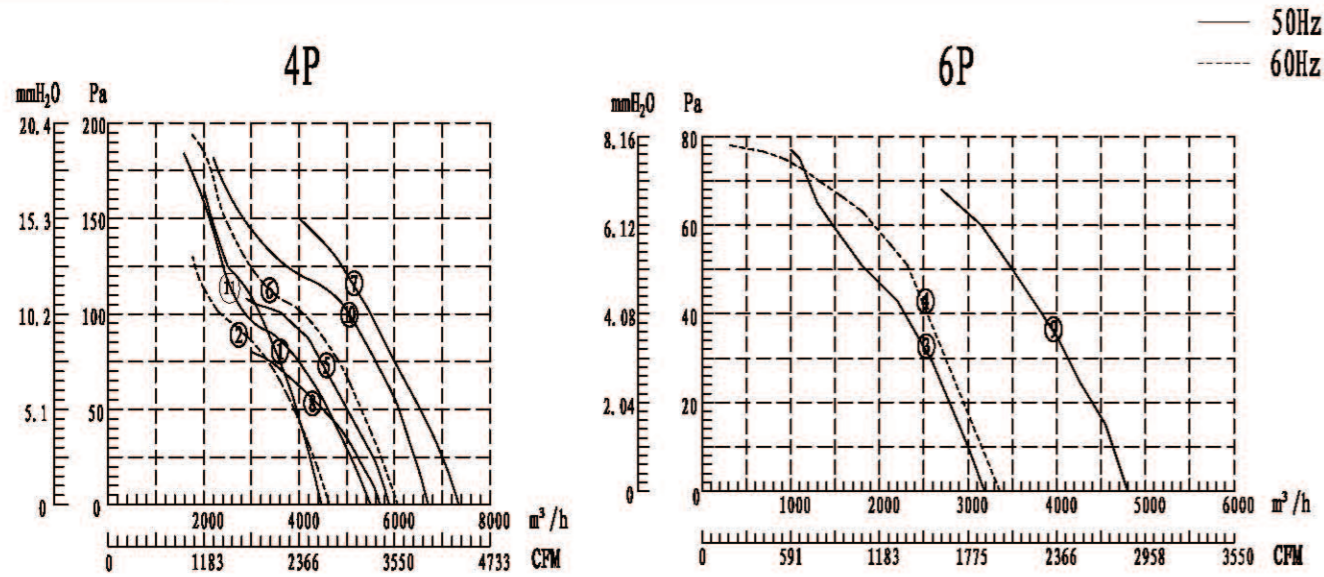
- 防护等级：IP54  
Type of protection: IP54
- 绝缘等级：“B” “F”  
Insulation class: “B” “F”
- 工作方式：S1  
Mode of operation: S1
- 轴承：免维护轴承  
Bearings: Maintenance-free bearings

技术参数 Technical data

型号 Model	曲线 Curve NO.	额定电压 Voltage	频率 Frequency	额定电流 Current	输入功率 Power input	转速 Speed	噪音 Noise	电容 Capacitor	额定风量 / 许用静压 Air Volume / Max. static Pressure	净重 N.W.
	#	V	Hz	A	W	RPM	dB(A)	μF	m <sup>3</sup> /h / Pa	Kg
YWF4D-450-B5L	①	380	50	0.58	260	1380	70	/	4500 / 100	6.8
	②	400	60	0.6	330	1540	72	/	4725 / 115	6.8
YWF4E-450-B5L	①	220	50	0.98	230	1320	70	6	4500 / 110	6.8
	②	230	60	1.8	400	1500	72	10	4725 / 115	6.8
YWF6D-450-B5L	③	380	50	0.75	150	950	55	/	3200 / 80	6.8
	④	400	60	0.58	175	1100	58	/	3360 / 75	6.8
YWF6E-450-B5L	③	220	50	0.46	95	910	55	3	3200 / 80	6.8
	④	230	60	0.56	125	1050	58	3	3360 / 75	6.8
YWF4D-450M-B5L	⑤	380	50	0.7	320	1320	75	/	5890 / 120	6.8
	⑥	400	60	1.15	580	1400	77	/	6185 / 110	6.8
YWF4E-450M-B5L	⑤	220	50	2.2	460	1350	75	12	5890 / 120	6.8
	⑥	230	60	2.3	480	1680	77	12	6185 / 110	6.8
YWF4E-450G-E7L	⑦	220	50	2.93	640	1320	77	15	7380 / 100	10.5
YWF4D-450G-E7L	⑦	400▲	50	1.15	567	1370	77	/	7380 / 115	10.5
	⑧	400Y	50	0.73	400	1020	68	/	5700 / 50	10.5
YWF6E-450G-E7L	⑨	220	50	0.91	198	920	60	6	4800 / 50	10.2
YWF6D-450G-E7L	⑨	400▲	50	0.45	201	930	60	/	4800 / 50	10.2
YWF4D-450T-E7L	⑩	380	50	1.45	620	1370	72	/	6705 / 150	10
YWF4D-450R-E7f	⑪	380	50	0.75	350	1320	72	/	5500 / 100	10

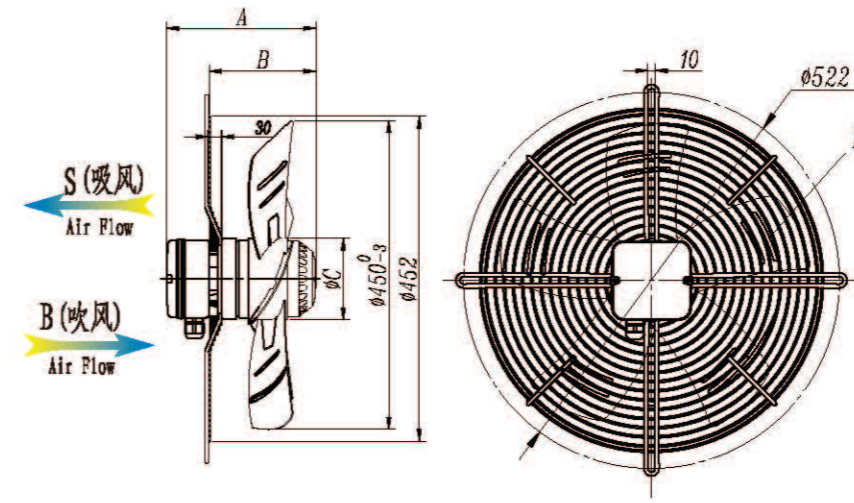
• 表中参数如有更改恕不另行通知 We will not inform you if we change the data in the form



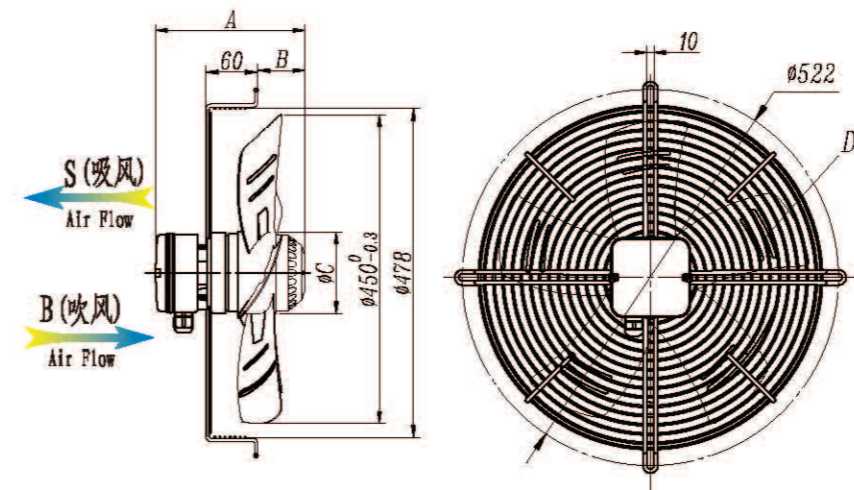


型号 MODEL	尺寸				叶片数量
	A	B	C	D	
YWF4D (E)-450S (B)-B5L	200	130	102	5	
YWF6D (E)-450S (B)-B5L	200	130	102	5	
YWF4D (E)-450MS (B)-B5L	200	130	102	5	
YWF6D (E)-450MS (B)-B7L	214	144	138	7	
YWF4D (E)-450GS (B)-B7L	214	144	138	7	
YWF4D-450TS (B)-B7L	214	144	138	7	
YWF4D-450FS (B)-B7F	200	130	102	7	

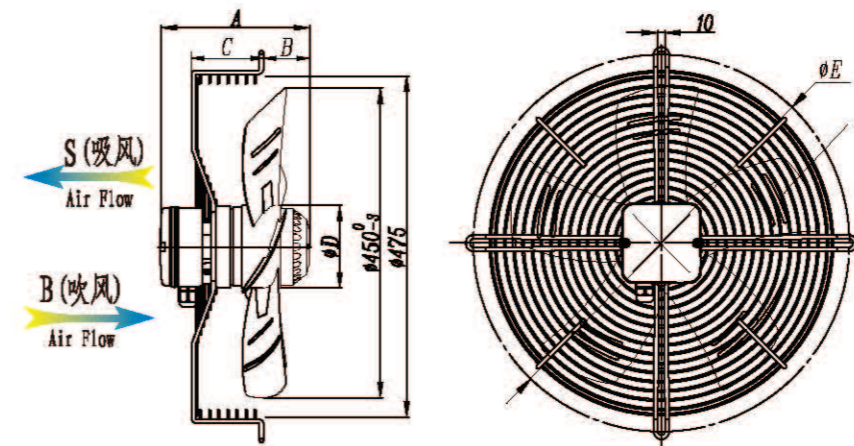
Model NO. B	Model NO. C	Model NO. D	Model NO. E	Model NO. H	Model NO. G	Model NO. K
YWF4D (E)-450S (B)-B5L	YWF4D (E)-450S (B)-C5L	YWF4D (E)-450S (B)-D5L	YWF4D (E)-450S (B)-E5L	YWF4D (E)-450S (B)-H5L	YWF4D (E)-450S (B)-G5L	YWF4D (E)-450S (B)-K5L
YWF6D (E)-450S (B)-B5L	YWF6D (E)-450S (B)-C5L	YWF6D (E)-450S (B)-D5L	YWF6D (E)-450S (B)-E5L	YWF6D (E)-450S (B)-H5L	YWF6D (E)-450S (B)-G5L	YWF6D (E)-450S (B)-K5L
YWF4D (E)-450MS (B)-B5L	YWF4D (E)-450MS (B)-C5L	YWF4D (E)-450MS (B)-D5L	YWF4D (E)-450MS (B)-E5L	YWF4D (E)-450MS (B)-H5L	YWF4D (E)-450MS (B)-G5L	YWF4D (E)-450MS (B)-K5L
YWF6D (E)-450GS (B)-B7L	YWF6D (E)-450GS (B)-C5L	YWF6D (E)-450GS (B)-D5L	YWF6D (E)-450GS (B)-E5L	YWF6D (E)-450GS (B)-H5L	YWF6D (E)-450GS (B)-G5L	YWF6D (E)-450GS (B)-K5L
YWF4D (E)-450GS (B)-B7L	YWF4D (E)-450GS (B)-C7L	YWF4D (E)-450GS (B)-D7L	YWF4D (E)-450GS (B)-E7L	YWF4D (E)-450GS (B)-H7L	YWF4D (E)-450GS (B)-G7L	YWF4D (E)-450GS (B)-K7L
YWF4D-450TS (B)-B7L	YWF4D-450TS (B)-C7L	YWF4D-450TS (B)-D7L	YWF4D-450TS (B)-E7L	YWF4D-450TS (B)-H7L	YWF4D-450TS (B)-G7L	YWF4D-450TS (B)-K7L
YWF4D-450FS-B7F	YWF4D-450FS-C7F	YWF4D-450FS-D7F	YWF4D-450FS-E7F	YWF4D-450FS-H7F	YWF4D-450FS-G7F	YWF4D-450FS-K7F



型号 MODEL	尺寸				叶片数量
	A	B	C	D	
YWF4D (E)-450S (B)-C5L	200	160	102	5	
YWF6D (E)-450S (B)-C5L	200	160	102	5	
YWF4D (E)-450MS (B)-C5L	200	160	102	5	
YWF6D (E)-450GS (B)-C7L	214	174	138	5	
YWF4D (E)-450GS (B)-C7L	214	174	138	7	
YWF4D-450TS (B)-C7L	214	174	138	7	
YWF4D-450FS (B)-C7F	200	160	102	7	

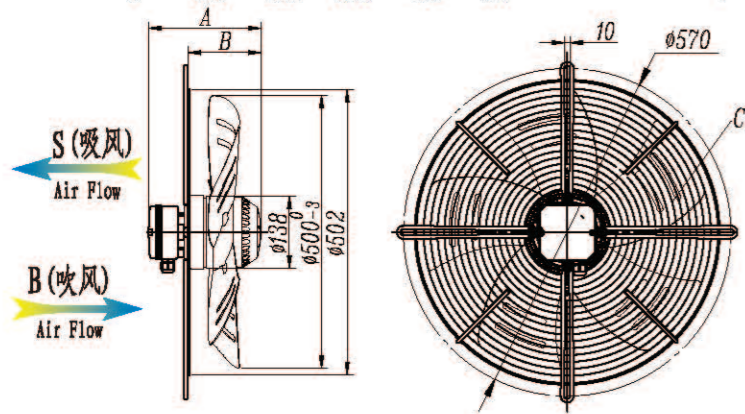
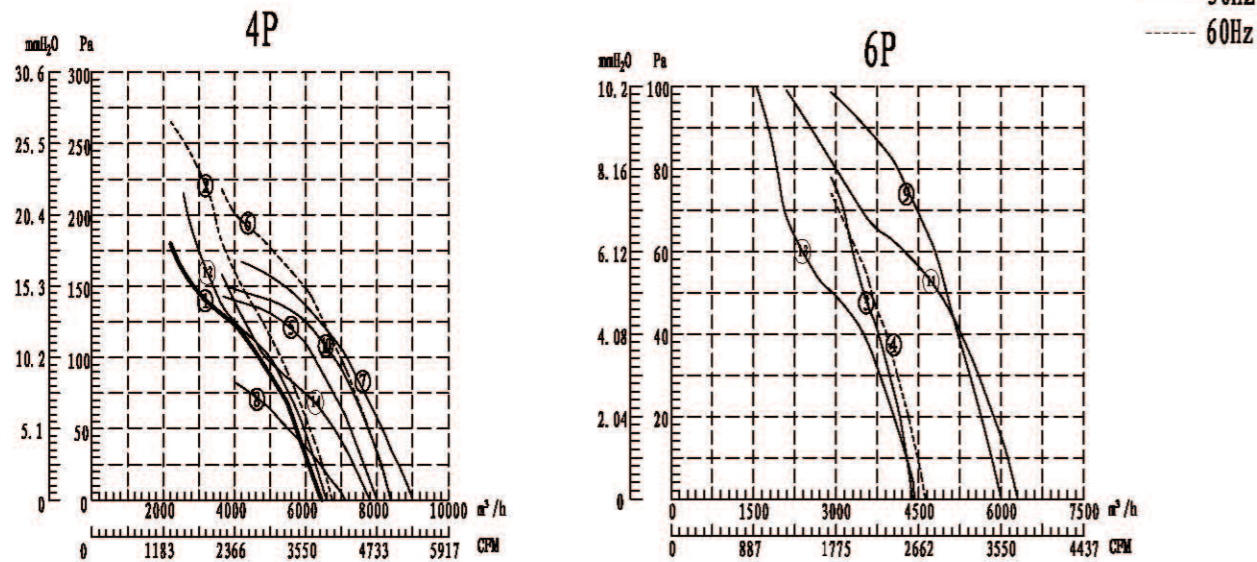


型号 MODEL	尺寸				叶片数量
	A	B	C	D	
YWF4D (E)-450S (B)-D5L	200	75	102	5	
YWF6D (E)-450S (B)-D5L	200	75	102	5	
YWF4D (E)-450MS (B)-D5L	200	75	102	5	
YWF6D (E)-450GS (B)-D7L	214	89	138	7	
YWF4D (E)-450GS (B)-D7L	214	89	138	7	
YWF4D-450TS (B)-D7L	214	89	138	7	
YWF4D-450FS (B)-D7F	200	75	102	7	



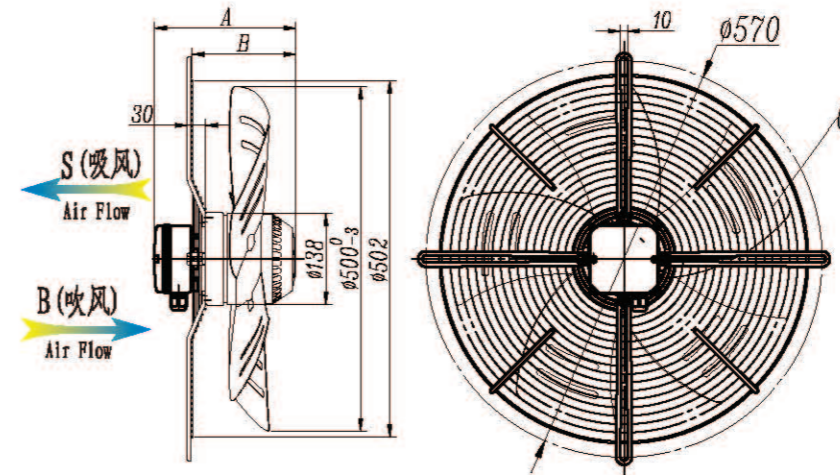
型号 MODEL	尺寸						叶片数量
	A	B	C	D	E	F	
YWF4D (E)-450S (B)-E5L	200	70	90	102	522	5	
YWF6D (E)-450S (B)-E5L	200	70	90	102	522	5	
YWF4D (E)-450MS (B)-E5L	200	70	90	102	522	5	
YWF6D (E)-450GS (B)-E7L	214	89	95	138	515	7	
YWF4D (E)-450GS (B)-E7L	214	89	95	138	515	7	
YWF4D-450TS (B)-E7L	214	89	95	138	515	7	
YWF4D-450FS (B)-E7F	200	70	90	102	522	7	



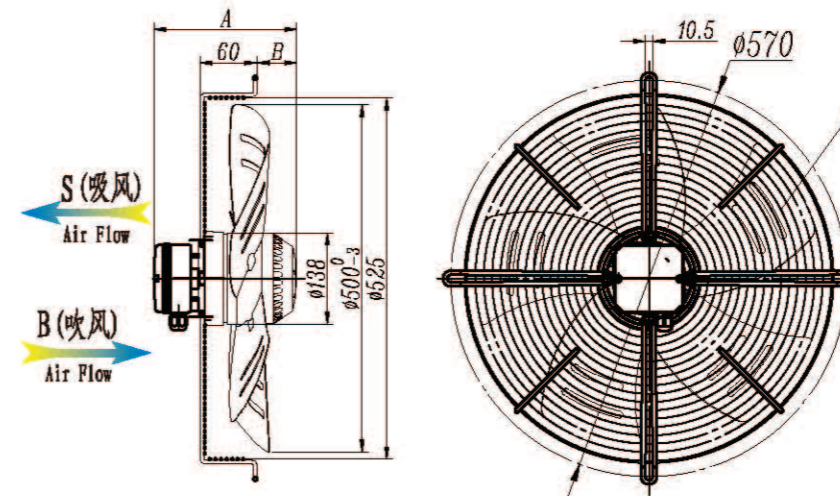


型号 MODEL	尺寸		叶片数量
	A	B	C
YWF4D (E)-500S (B)-BSL	200	130	5
YWF6D (E)-500S (B)-BSL	200	130	5
YWF4D (E)-500MS (B)-B6L	214	144	6
YWF4D (E)-500GS (B)-B7L	234	164	7
YWF6D (E)-500GS (B)-B7L	234	164	7
YWF4D-500TS (B)-B7L	234	164	7
YWF6D-500TS (B)-B7L	214	144	7
YWF4D-500FS-B7F	200	130	7

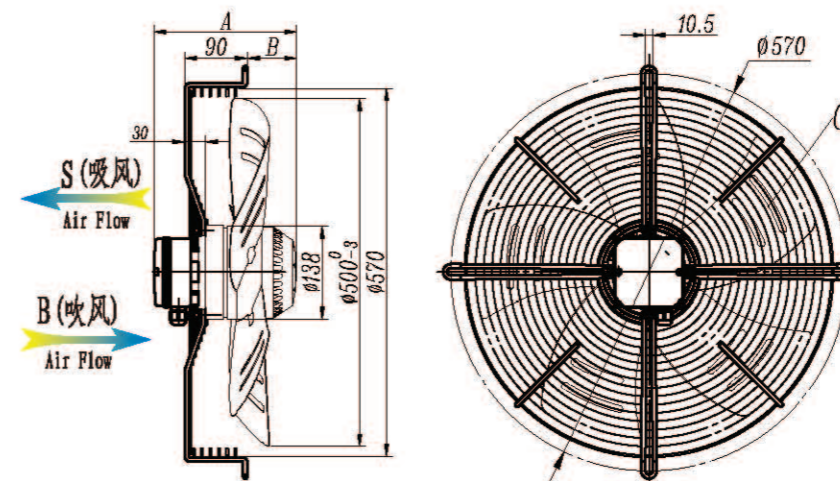
Model NO. B	Model NO. C	Model NO. D	Model NO. E	Model NO. H	Model NO. G	Model NO. K
YWF4D (E)-500S (B)-BSL	YWF4D (E)-500S (B)-CSL	YWF4D (E)-500S (B)-DSL	YWF4D (E)-500S (B)-BSL	YWF4D (E)-500S (B)-BSL	YWF4D (E)-500S (B)-CSL	YWF4D (E)-500S (B)-KSL
YWF6D (E)-500S (B)-BSL	YWF6D (E)-500S (B)-CSL	YWF6D (E)-500S (B)-DSL	YWF6D (E)-500S (B)-BSL	YWF6D (E)-500S (B)-BSL	YWF6D (E)-500S (B)-CSL	YWF6D (E)-500S (B)-KSL
YWF4D (E)-500MS (B)-B6L	YWF4D (E)-500MS (B)-C6L	YWF4D (E)-500MS (B)-D6L	YWF4D (E)-500MS (B)-B6L	YWF4D (E)-500MS (B)-H6L	YWF4D (E)-500MS (B)-G6L	YWF4D (E)-500MS (B)-K6L
YWF4D (E)-500GS (B)-B7L	YWF4D (E)-500GS (B)-C7L	YWF4D (E)-500GS (B)-D7L	YWF4D (E)-500GS (B)-B7L	YWF4D (E)-500GS (B)-H7L	YWF4D (E)-500GS (B)-G7L	YWF4D (E)-500GS (B)-K7L
YWF6D (E)-500GS (B)-B7L	YWF6D (E)-500GS (B)-C7L	YWF6D (E)-500GS (B)-D7L	YWF6D (E)-500GS (B)-B7L	YWF6D (E)-500GS (B)-H7L	YWF6D (E)-500GS (B)-G7L	YWF6D (E)-500GS (B)-K7L
YWF4 (6)D-500TS (B)-B7L	YWF4 (6)D-500TS (B)-C7L	YWF4 (6)D-500TS (B)-D7L	YWF4 (6)D-500TS (B)-B7L	YWF4 (6)D-500TS (B)-H7L	YWF4 (6)D-500TS (B)-G7L	YWF4 (6)D-500TS (B)-K7L
/	/	/	YWF4D (E)-500S-B4F	/	/	/
/	/	/	YWF6D-500S-B4F	/	/	/
YWF4D-500FS-B7F	YWF4D-500FS-C7F	YWF4D-500FS-D7F	YWF4D-500FS-E7F	YWF4D-500FS-H7F	YWF4D-500FS-G7F	YWF4D-500FS-K7F



型号 MODEL	尺寸		叶片数量
	A	B	
YWF4D (E)-500S (B)-CSL	200	160	5
YWF6D (E)-500S (B)-CSL	200	160	5
YWF4D (E)-500MS (B)-C6L	214	174	6
YWF4D (E)-500GS (B)-C7L	234	194	7
YWF6D (E)-500GS (B)-C7L	234	194	7
YWF4D-500TS (B)-C7L	234	194	7
YWF6D-500TS (B)-C7L	214	174	7
YWF4D-500FS-C7F	200	160	7

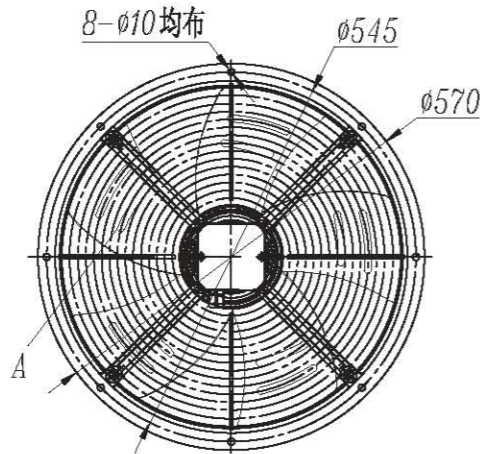
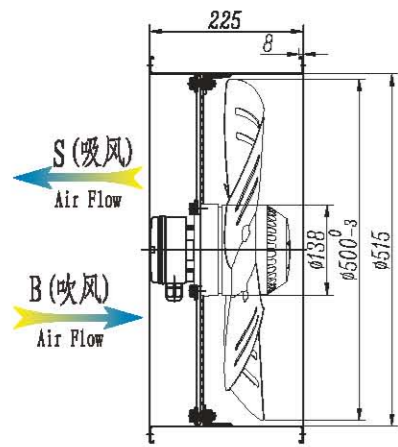


型号 MODEL	尺寸		叶片数量
	A	B	
YWF4D (E)-500S (B)-D5L	200	75	5
YWF6D (E)-500S (B)-D5L	200	75	5
YWF4D (E)-500MS (B)-D6L	214	89	6
YWF4D (E)-500GS (B)-D7L	234	109	7
YWF6D (E)-500GS (B)-D7L	234	109	7
YWF4D-500TS (B)-D7L	234	109	7
YWF6D-500TS (B)-D7L	214	89	7
YWF4D-500FS-D7F	200	75	7

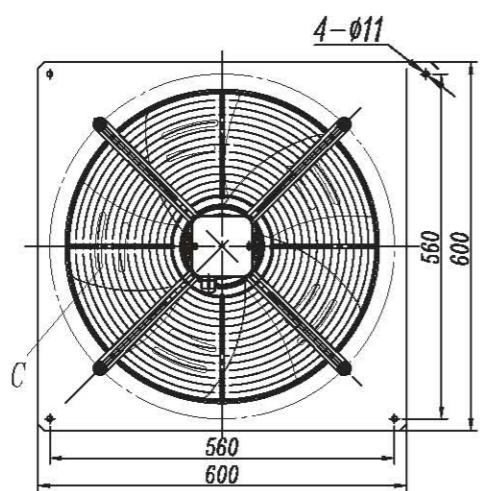
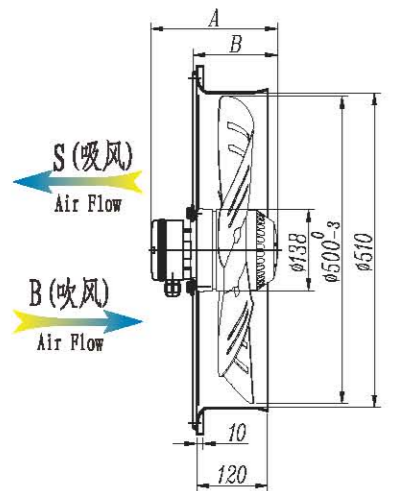


型号 MODEL	尺寸		叶片数量
	A	B	
YWF4D (E)-500S (B)-E5L	200	70	5
YWF6D (E)-500S (B)-E5L	200	70	5
YWF4D (E)-500MS (B)-E6L	214	84	6
YWF4D (E)-500GS (B)-E7L	234	104	7
YWF6D (E)-500GS (B)-E7L	234	104	7
YWF4D-500TS (B)-E7L	234	104	7
YWF6D-500TS (B)-E7L	214	84	7
YWF4D-500FS-E7F	200	70	7
YWF4D (E)-500S-B4F	214	77.5	4
YWF6D-500S-B4F	214	77.5	4

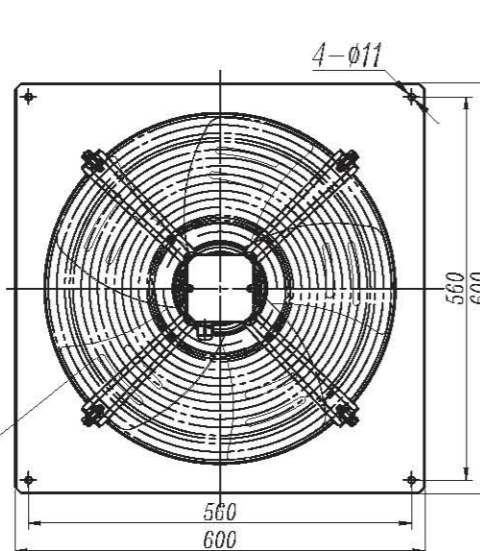
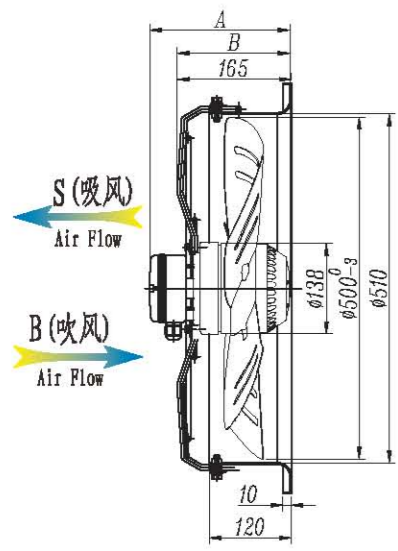




型号 MODEL	叶片数量 A
YWF4D (E)-500S (B)-H5L	5
YWF6D (E)-500S (B)-H5L	5
YWF4D (E)-500MS (B)-H6L	6
YWF4D (E)-500GS (B)-H7L	7
YWF6D (E)-500GS (B)-H7L	7
YWF4D-500TS (B)-H7L	7
YWF6D-500TS (B)-H7L	7
YWF4D-500PS-H7F	7



型号 MODEL	尺寸			叶片数量
	A	B	C	
YWF4D (E)-500S (B)-G5L	200	135	5	5
YWF6D (E)-500S (B)-G5L	200	135	5	5
YWF4D (E)-500MS (B)-G6L	214	149	6	6
YWF4D (E)-500GS (B)-G7L	234	169	7	7
YWF6D (E)-500GS (B)-G7L	234	169	7	7
YWF4D-500TS (B)-G7L	234	169	7	7
YWF6D-500TS (B)-G7L	214	149	7	7
YWF4D-500PS-G7F	200	135	7	7



型号 MODEL	尺寸			叶片数量
	A	B	C	
YWF4D (E)-500S (B)-K5L	200	153	5	5
YWF6D (E)-500S (B)-K5L	200	153	5	5
YWF4D (E)-500MS (B)-K6L	214	167	6	6
YWF4D (E)-500GS (B)-K7L	234	187	7	7
YWF6D (E)-500GS (B)-K7L	234	187	7	7
YWF4D-500TS (B)-K7L	234	187	7	7
YWF6D-500TS (B)-K7L	214	167	7	7
YWF4D-500PS-K7F	200	153	7	7



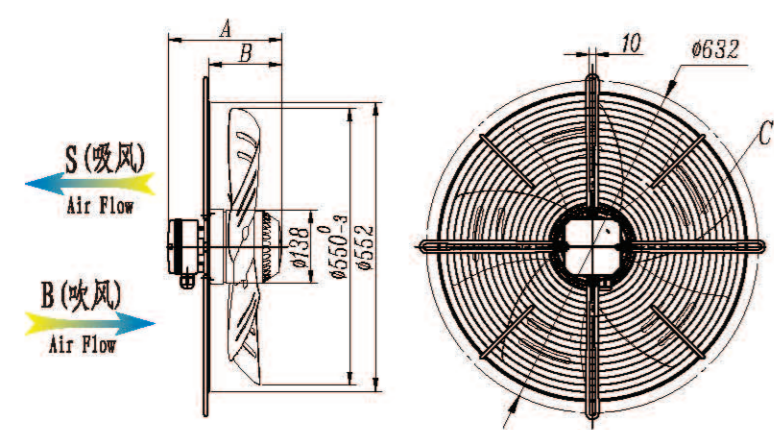
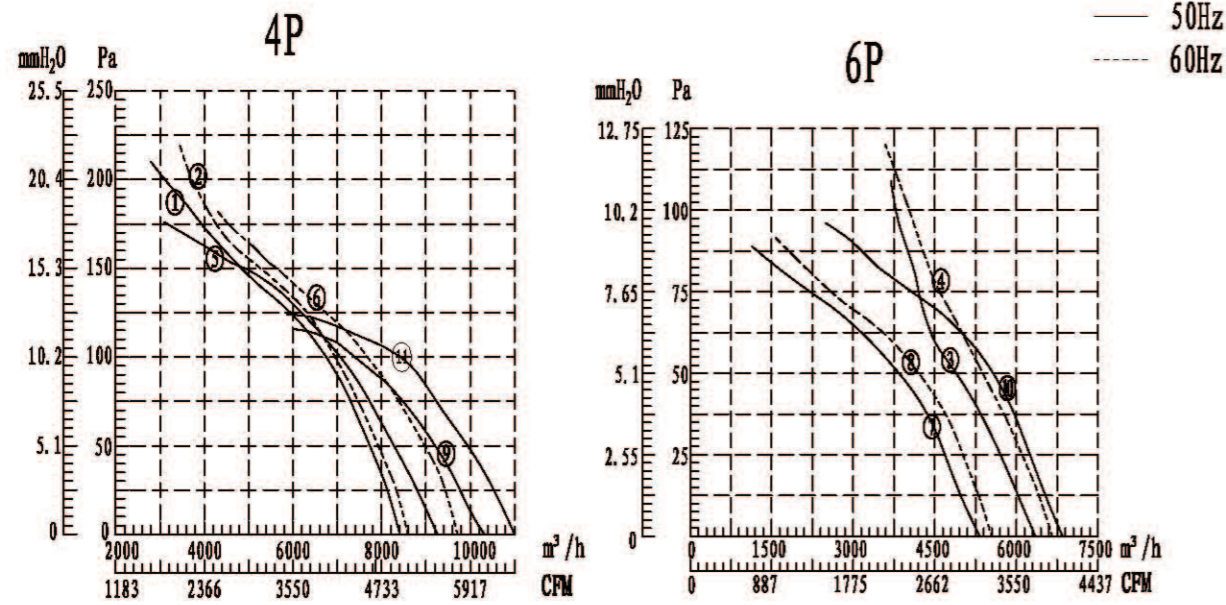
- 防护等级：IP54  
Type of protection: IP54
- 绝缘等级：“B” “F”  
Insulation class: “B” “F”
- 工作方式：S1  
Mode of operation: S1
- 轴承：免维护轴承  
Bearings: Maintenance-free bearings

技术参数 Technical data

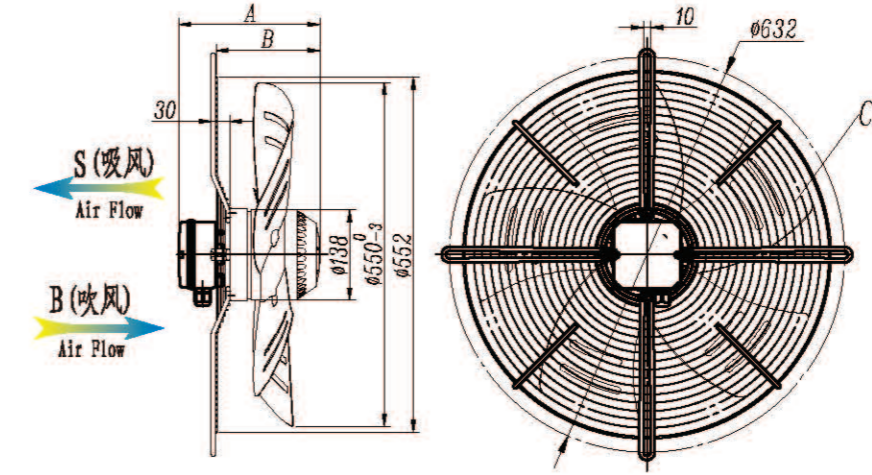
型号 Model	曲线 Curve NO.	额定电压 Voltage	频率 Frequency	额定电流 Current	输入功率 Power input	转速 Speed	噪音 Noise	电容 Capacitor	额定风量 / 许用静压 Air Volume / Max. static Pressure	净重 N.W.
	#	V	Hz	A	W	RPM	dB(A)	μF	m³/h / Pa	Kg
YWF4D-550-B5L	①	380	50	1.2	600	1350	70	/	8415 / 120	11.0
	②	400	60	1.55	800	1450	72	/	8555 / 110	11.0
YWF4E-550-B5L	①	220	50	2.8	650	1340	70	15	8415 / 120	11.0
	②	230	60	4.0	950	1550	72	15	8555 / 110	11.0
YWF6D-550-B5L	③	380	50	0.52	200	900	60	/	6355 / 85	10.8
	④	400	60	0.6	300	1000	62	/	6655 / 92	10.8
YWF6E-550-B5L	③	220	50	1.0	220	880	60	6	6355 / 85	10.8
	④	230	60	1.2	350	1100	62	6	6655 / 92	10.8
YWF4D-550M-B5L	⑤	380	50	1.26	640	1400	72	/	9260 / 120	11.0
	⑥	400	60	1.45	850	1600	74	/	9725 / 110	11.0
YWF4E-550M-B5L	⑤	220	50	2.8	650	1340	72	15	9260 / 120	11.0
YWF6D-550M-B5L	⑦	380	50	0.58	250	880	62	/	5330 / 100	10.5
	⑧	400	60	0.7	360	950	64	/	5565 / 90	10.5
YWF4D-550T-B7L	⑨	380	50	2.45	1100	1360	78	/	10300 / 150	12.8
YWF6D-550T-B7L	⑩	380	50	0.9	360	890	70	/	6850 / 90	12.5
YWF4D-550F-B7F	⑪	380	50	1.2	620	1320	72	/	11200 / 105	12

• 表中参数如有更改恕不另行通知 We will not inform you if we change the data in the form

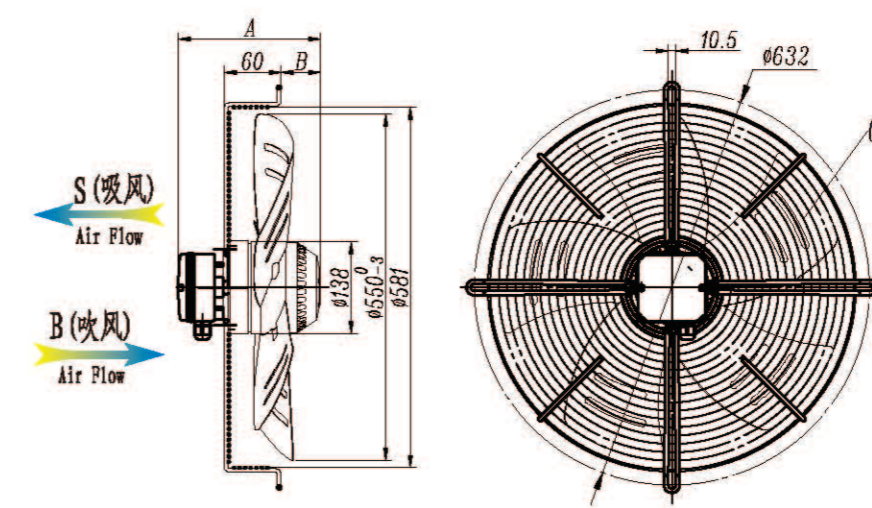




型号 MODEL	尺寸		叶片数量
	A	B	C
YWF4D (B)-550S (B)-BSL	214	144	5
YWF6D (B)-550S (B)-BSL	214	144	5
YWF4D (B)-550MS (B)-BSL	214	144	5
YWF6D-550MS (B)-BSL	214	144	5
YWF4D-550TS (B)-B7L	234	164	7
YWF6D-550TS (B)-B7L	214	144	7
YWF4D-550PS-B7F	214	144	7

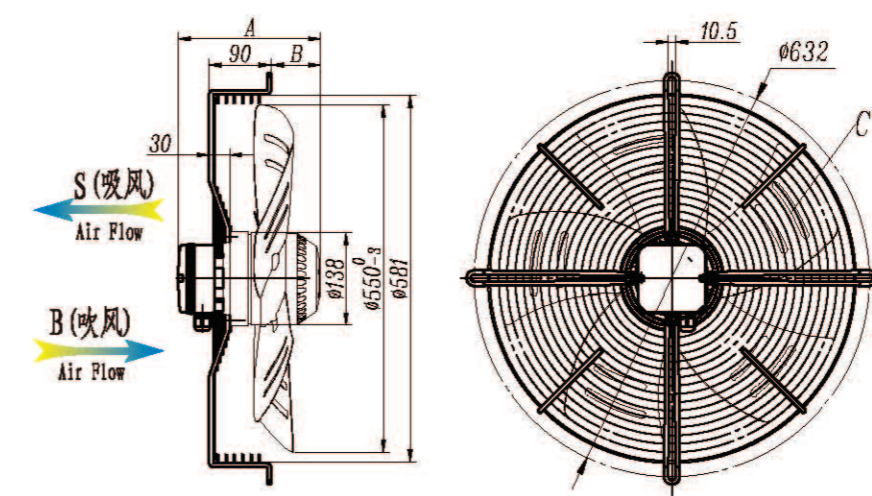


型号 MODEL	尺寸		叶片数量
	A	B	C
YWF4D (B)-550S (B)-CSL	214	174	5
YWF6D (B)-550S (B)-CSL	214	174	5
YWF4D (B)-550MS (B)-CSL	214	174	5
YWF6D-550MS (B)-CSL	214	174	5
YWF4D-550TS (B)-C7L	234	194	7
YWF6D-550TS (B)-C7L	214	174	7
YWF4D-550PS-C7F	214	174	7



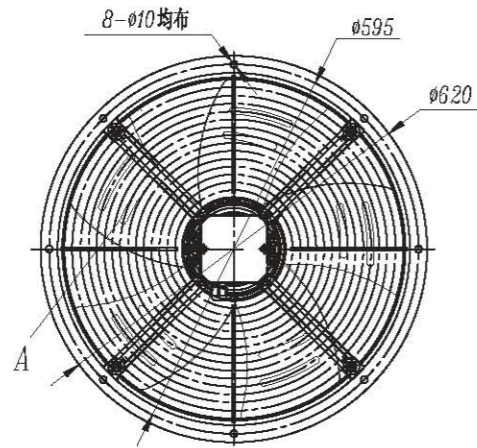
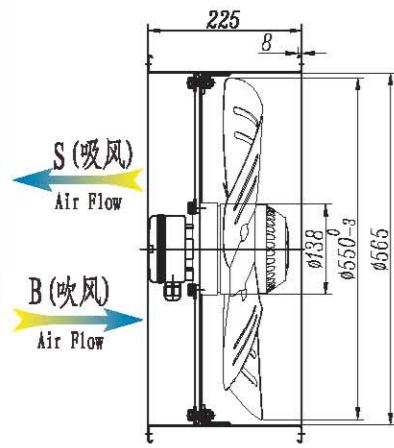
型号 MODEL	尺寸		叶片数量
	A	B	C
YWF4D (B)-550S (B)-BSL	214	89	5
YWF6D (B)-550S (B)-BSL	214	89	5
YWF4D (B)-550MS (B)-BSL	214	89	5
YWF6D-550MS (B)-BSL	214	89	5
YWF4D-550TS (B)-D7L	234	109	7
YWF6D-550TS (B)-D7L	214	89	7
YWF4D-550PS-D7F	214	89	7

Model NO. B	Model NO. C	Model NO. D	Model NO. E	Model NO. H	Model NO. G	Model NO. K
YWF4D (B)-550S (B)-BSL	YWF4D (B)-550S (B)-CSL	YWF4D (B)-550S (B)-DSL	YWF4D (B)-550S (B)-BSL	YWF4D (B)-550S (B)-BSL	YWF4D (B)-550S (B)-BSL	YWF4D (B)-550S (B)-BSL
YWF6D (B)-550S (B)-BSL	YWF6D (B)-550S (B)-CSL	YWF6D (B)-550S (B)-DSL	YWF6D (B)-550S (B)-BSL	YWF6D (B)-550S (B)-BSL	YWF6D (B)-550S (B)-BSL	YWF6D (B)-550S (B)-BSL
YWF4D (B)-550MS (B)-BSL	YWF4D (B)-550MS (B)-CSL	YWF4D (B)-550MS (B)-DSL	YWF4D (B)-550MS (B)-BSL	YWF4D (B)-550MS (B)-BSL	YWF4D (B)-550MS (B)-BSL	YWF4D (B)-550MS (B)-BSL
YWF6D-550MS (B)-BSL	YWF6D-550MS (B)-CSL	YWF6D-550MS (B)-DSL	YWF6D-550MS (B)-BSL	YWF6D-550MS (B)-BSL	YWF6D-550MS (B)-BSL	YWF6D-550MS (B)-BSL
YWF4D-550TS (B)-B7L	YWF4D-550TS (B)-C7L	YWF4D-550TS (B)-D7L	YWF4D-550TS (B)-B7L	YWF4D-550TS (B)-B7L	YWF4D-550TS (B)-B7L	YWF4D-550TS (B)-B7L
YWF6D-550TS (B)-B7L	YWF6D-550TS (B)-C7L	YWF6D-550TS (B)-D7L	YWF6D-550TS (B)-B7L	YWF6D-550TS (B)-B7L	YWF6D-550TS (B)-B7L	YWF6D-550TS (B)-B7L
YWF4D-550PS-B7F	YWF4D-550PS-C7F	YWF4D-550PS-D7F	YWF4D-550PS-B7F	YWF4D-550PS-B7F	YWF4D-550PS-B7F	YWF4D-550PS-B7F

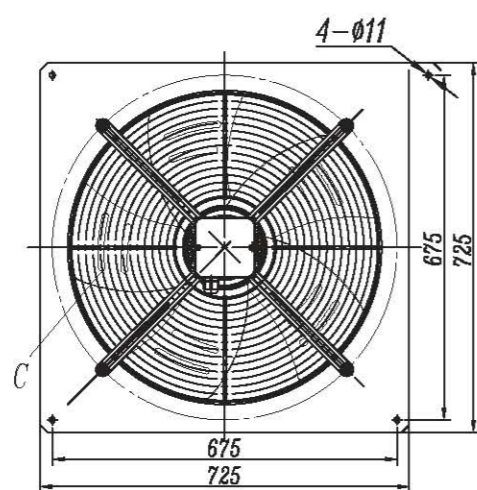
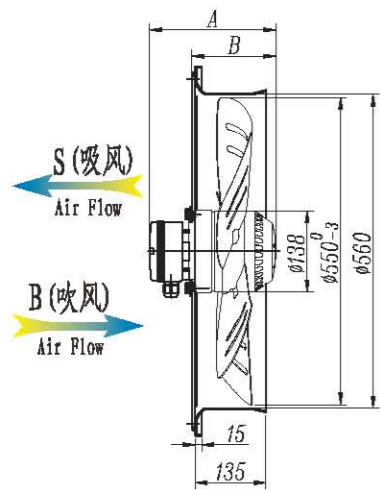


型号 MODEL	尺寸		叶片数量
	A	B	C
YWF4D (B)-550S (B)-BSL	214	84	5
YWF6D (B)-550S (B)-BSL	214	84	5
YWF4D (B)-550MS (B)-BSL	214	84	5
YWF6D-550MS (B)-BSL	214	84	5
YWF4D-550TS (B)-B7L	234	104	7
YWF6D-550TS (B)-B7L	214	84	7
YWF4D-550PS-B7F	214	84	7

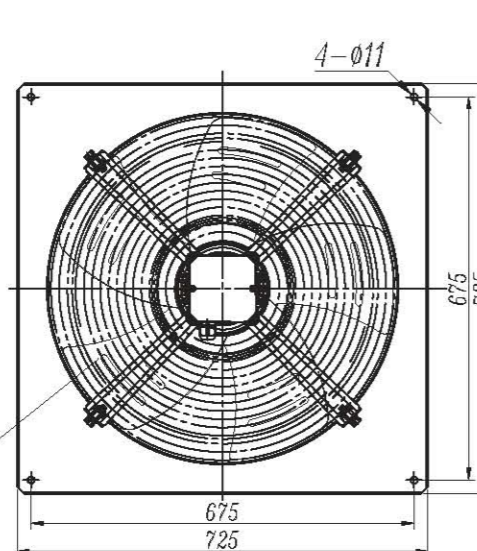
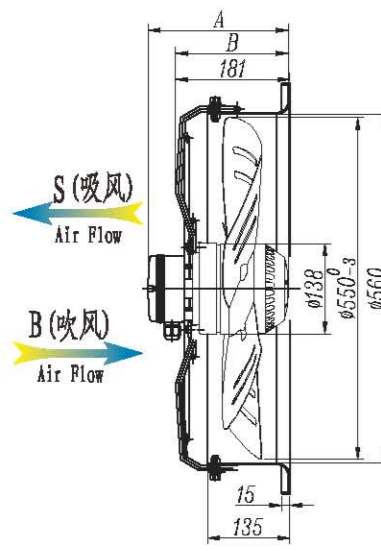




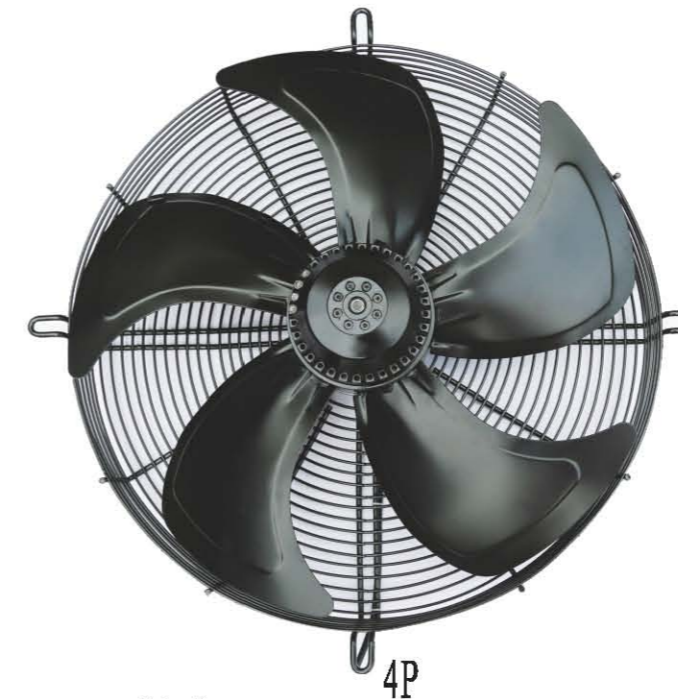
型号 MODEL	叶片数量 C
YWF4D (E)-550S (B)-HSL	5
YWF6D (E)-550S (B)-HSL	5
YWF4D (E)-550MS (B)-HSL	5
YWF6D-550MS (B)-HSL	5
YWF4D-550TS (B)-E7L	7
YWF6D-550TS (B)-E7L	7
YWF4D-550FS-H7F	7



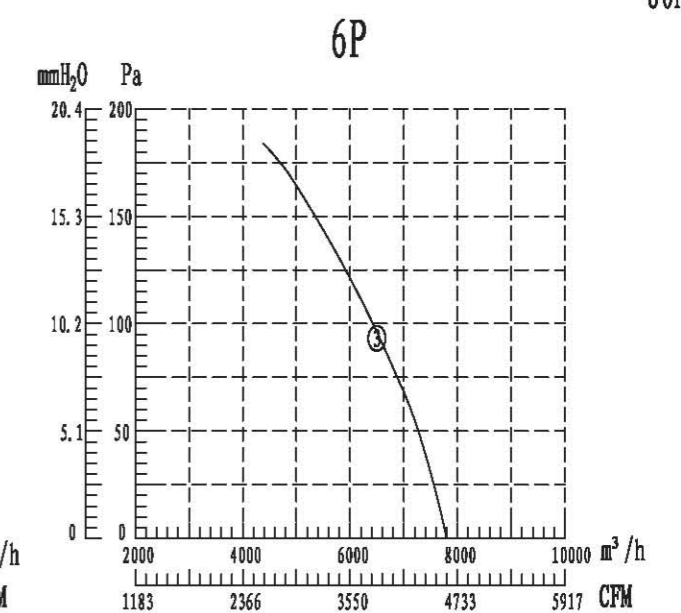
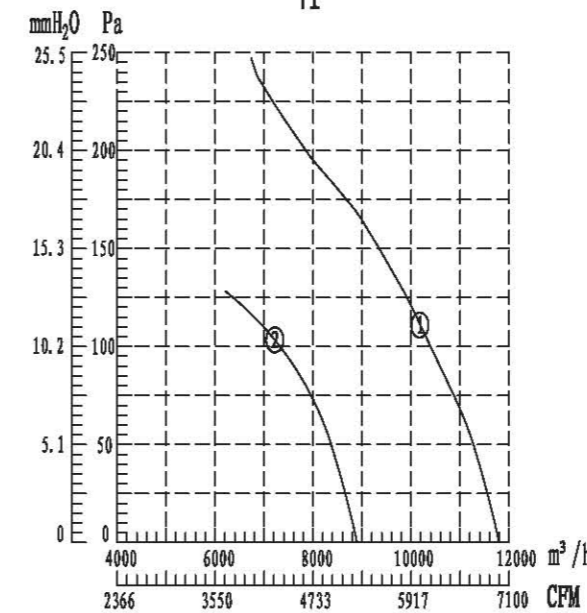
型号 MODEL	尺寸		叶片数量 C
	A	B	
YWF4D (E)-550S (B)-G5L	214	149	5
YWF6D (E)-550S (B)-G5L	214	149	5
YWF4D (E)-550MS (B)-G5L	214	149	5
YWF6D-550MS (B)-G5L	214	149	5
YWF4D-550TS (B)-G7L	234	169	7
YWF6D-550TS (B)-G7L	214	149	7
YWF4D-550FS-G7F	214	149	7



型号 MODEL	尺寸		叶片数量 C
	A	B	
YWF4D (E)-550S (B)-K5L	214	174	5
YWF6D (E)-550S (B)-K5L	214	174	5
YWF4D (E)-550MS (B)-K5L	214	174	5
YWF6D-550MS (B)-K5L	214	174	5
YWF4D-550TS (B)-K7L	234	194	7
YWF6D-550TS (B)-K7L	214	174	7
YWF4D-550FS-K7F	214	174	7



- 防护等级：IP54  
Type of protection: IP54
- 绝缘等级：“B” “F”  
Insulation class: “B” “F”
- 工作方式：S1  
Mode of operation: S1
- 轴承：免维护轴承  
Bearings: Maintenance-free bearings

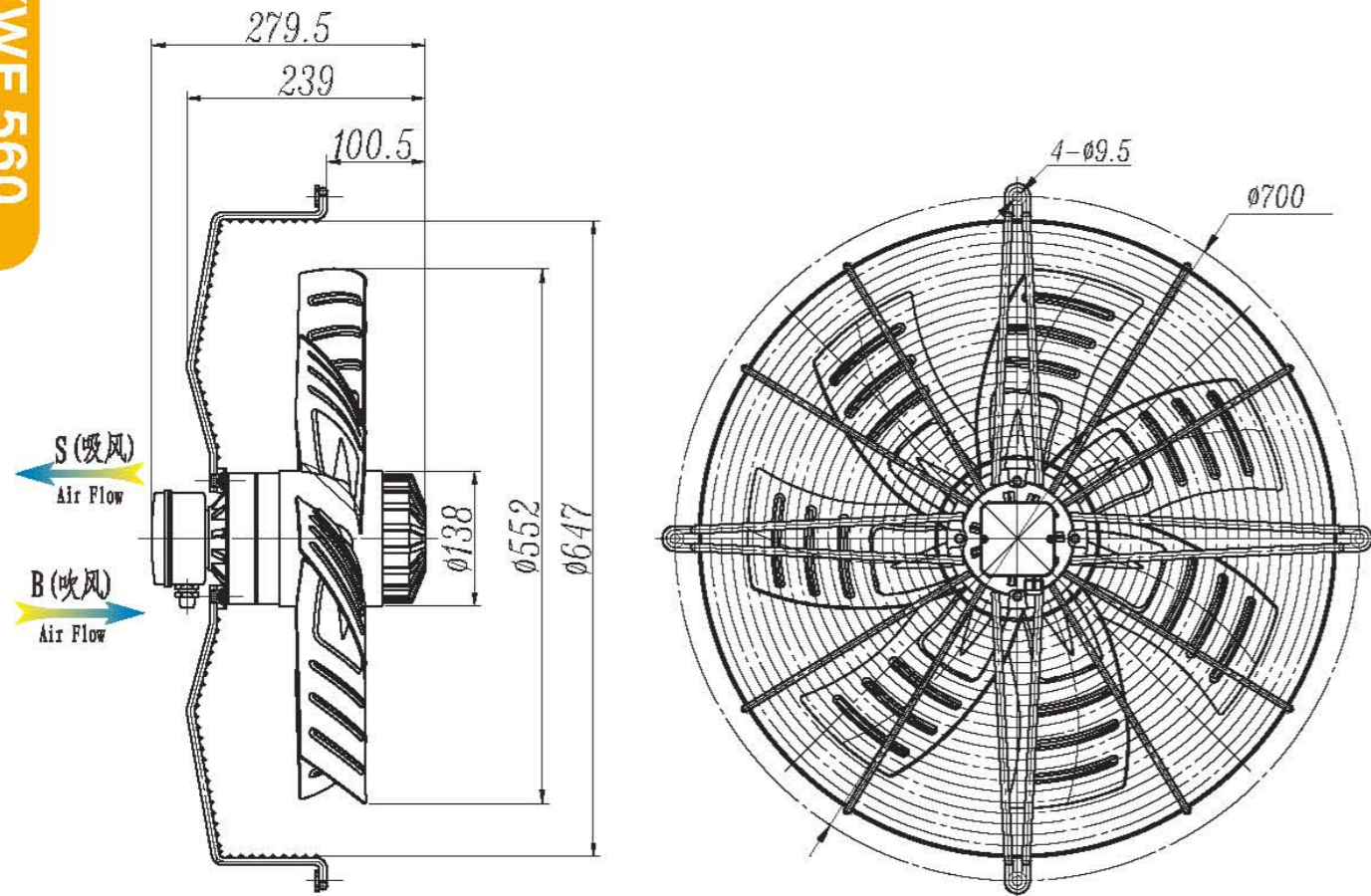


技术参数 Technical data

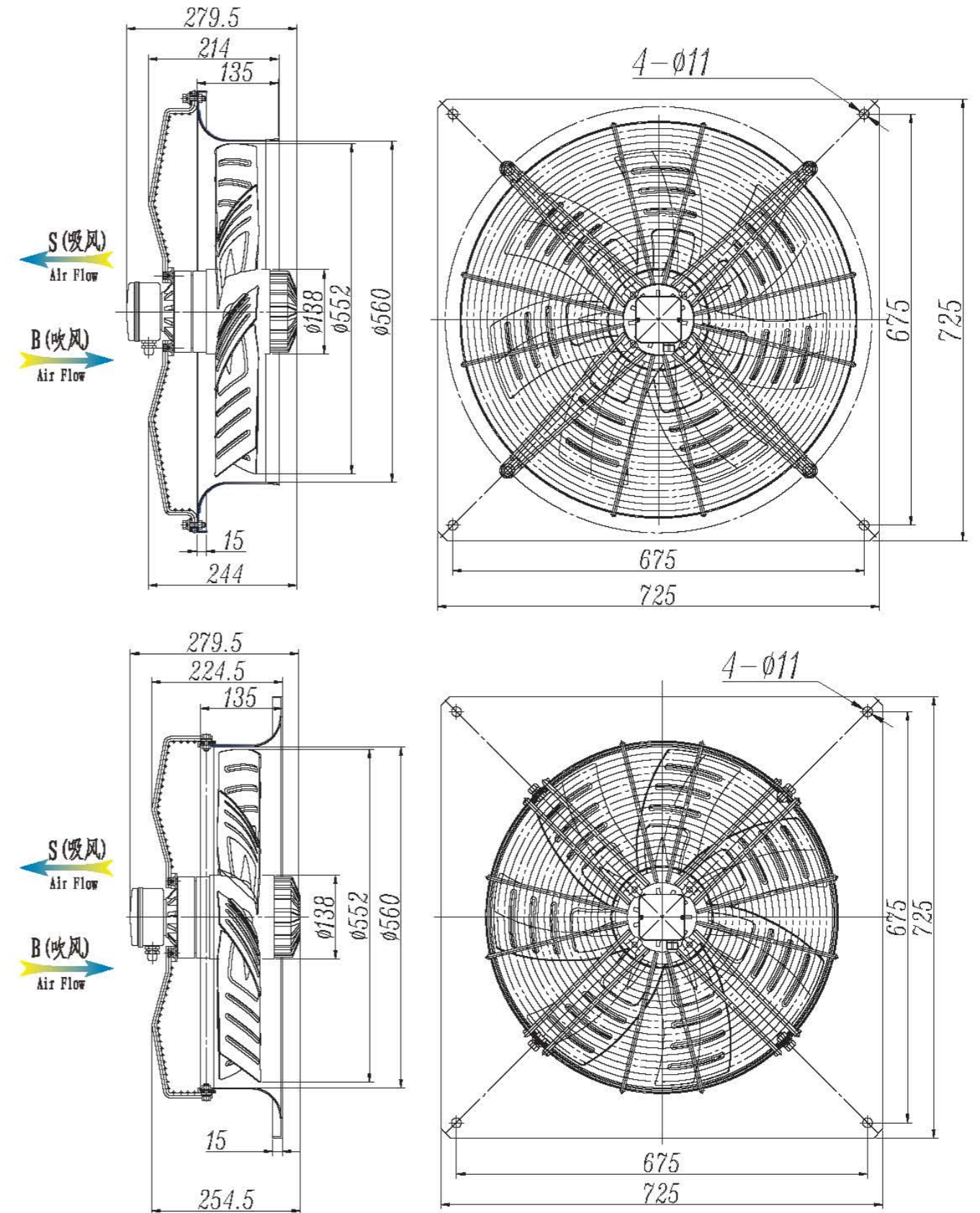
型号 Model	曲线 Curve NO.	额定电压 Voltage	频率 Frequency	额定电流 Current	输入功率 Power input	转速 Speed	噪音 Noise	电容 Capacitor	额定风量 / 许用静压 Air Volume / Max. static Pressure	净重 N.W.
	#	V	Hz	A	W	RPM	dB(A)	μF	m <sup>3</sup> /h / Pa	kg
YWF4D-560G-E7L	①	400▲	50	2.42	1260	1320	86	/	11800 / 150	21.0
	②	400Y	50	1.51	680	920	76	/	8900 / 70	21.0
YWF6B-560G-E7L	③	220	50	2.37	535	920	76	12	7800 / 75	20.5
YWF6D-560G-E7L	③	400▲	50	0.84	440	880	76	/	7800 / 68	20.5

表中参数如有更改恕不另行通知 We will not inform you if we change the data in the form





Model NO. B	Model NO. C	Model NO. D	Model NO. E	Model NO. H	Model NO. G	Model NO. K
/	/	/	YWF4D-560GS (B) -E7L	/	YWF4D-560GS (B) -G7L	YWF4D-560GS (B) -K7L
/	/	/	YWF6D (B) -560GS (B) -B7L	/	YWF6D (B) -560GS (B) -G7L	YWF6D (B) -560GS (B) -K7L





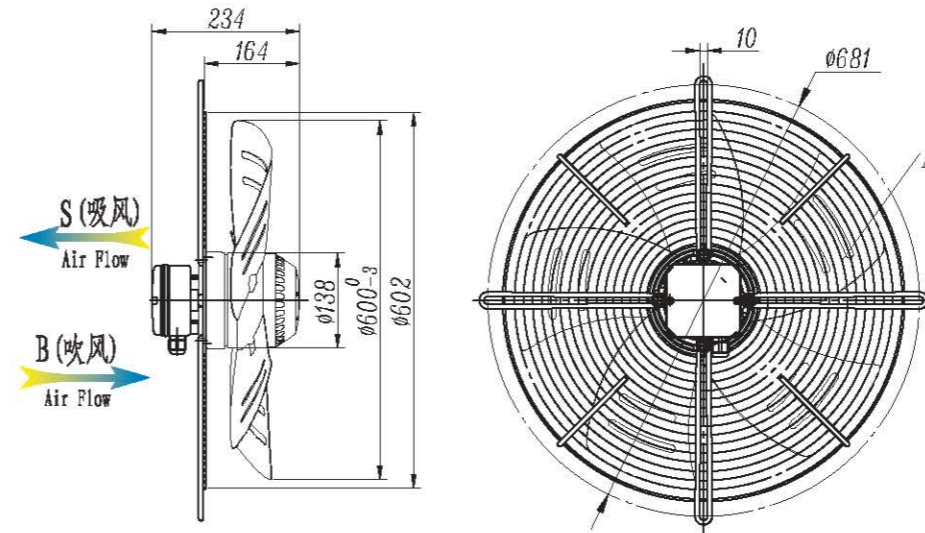
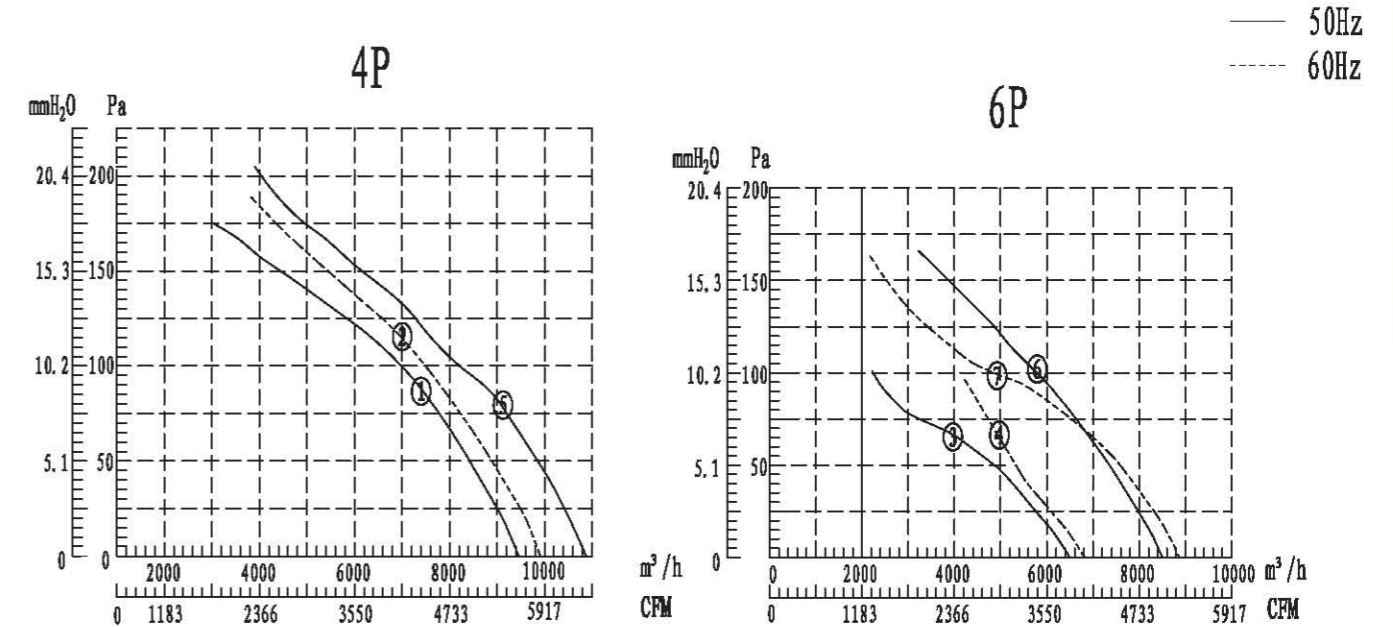


- 防护等级：IP54  
Type of protection: IP54
- 绝缘等级：“B” “F”  
Insulation class: “B” “F”
- 工作方式：S1  
Mode of operation: S1
- 轴承：免维护轴承  
Bearings: Maintenance-free bearings

技术参数 Technical data

型号 Model	曲线 Curve NO.	额定电压 Voltage	频率 Frequency	额定电流 Current	输入功率 Power input	转速 Speed	噪音 Noise	电容 Capacitor	额定风量 / 许用静压 Air Volume / Max. static Pressure	净重 N.W.
	#	V	Hz	A	W	RPM	dB(A)	μF	m³/h / Pa	Kg
YWF4D-600-B5L	①	380	50	1.45	750	1350	75	/	9430 / 120	13.8
	②	400	60	2.0	950	1500	78	/	9900 / 115	13.8
YWF4E-600-B5L	①	220	50	3.5	700	1400	75	15	9430 / 120	13.8
	②	230	60	4.2	950	1620	78	12	9900 / 115	13.8
YWF6D-600-B5L	③	380	50	0.55	240	900	70	/	6500 / 70	13.6
	④	400	60	0.65	350	1000	72	/	6825 / 78	13.6
YWF6E-600-B5L	③	220	50	1.5	320	930	70	12	6500 / 70	13.6
	④	230	60	1.8	360	1100	72	12	6825 / 78	13.6
YWF4D-600M-E5L	⑤	380	50	2.6	750	1400	76	/	10900 / 115	13.8
YWF6E-600M-E5L	⑦	230	60	2.8	580	1020	64	12	8925 / 72	13.4
YWF6D-600M-B6L	⑥	380	50	1.35	480	900	62	/	8500 / 80	13.4
	⑦	400	60	1.4	620	1020	64	/	8925 / 72	13.4

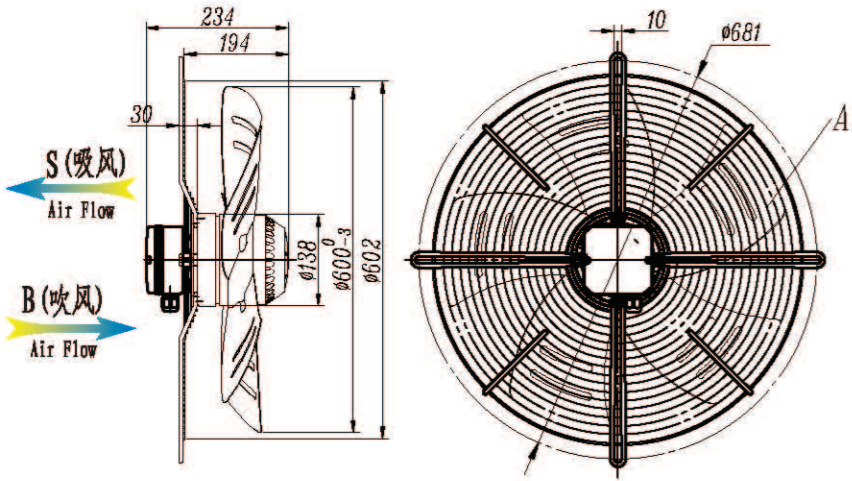
• 表中参数如有更改恕不另行通知 We will not inform you if we change the data in the form



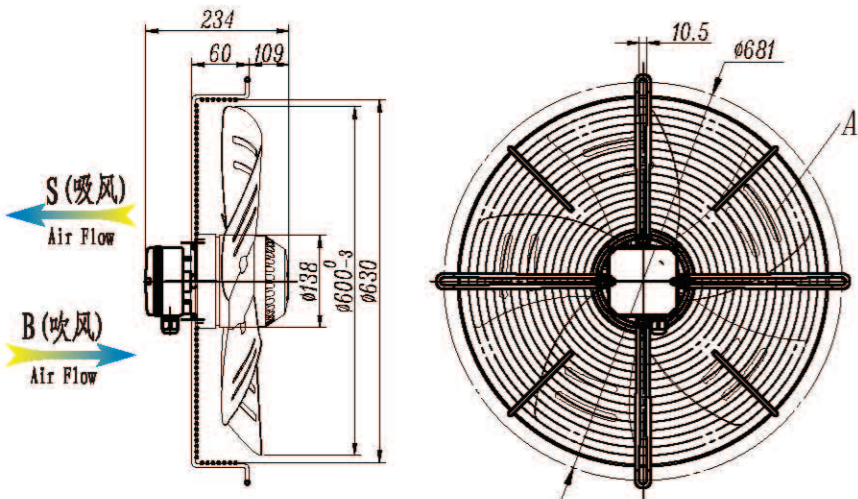
型号 MODEL	叶片数量 C
YWF4D (E)-600S (B)-B5L	5
YWF6D (E)-600S (B)-B5L	5
YWF4D-600MS (B)-B5L	5
YWF6D (E)-600MS (B)-B6L	6

Model NO. B	Model NO. C	Model NO. D	Model NO. E	Model NO. H	Model NO. G	Model NO. K
YWF4D (E)-600S (B)-B5L	YWF4D (E)-600S (B)-C5L	YWF4D (E)-600S (B)-D5L	YWF4D (E)-600S (B)-E5L	YWF4D (E)-600S (B)-H5L	YWF4D (E)-600S (B)-G5L	YWF4D (E)-600S (B)-K5L
YWF6D (E)-600S (B)-B5L	YWF6D (E)-600S (B)-C5L	YWF6D (E)-600S (B)-D5L	YWF6D (E)-600S (B)-E5L	YWF6D (E)-600S (B)-H5L	YWF6D (E)-600S (B)-G5L	YWF6D (E)-600S (B)-K5L
YWF4D-600MS (B)-B5L	YWF4D-600MS (B)-C5L	YWF4D-600MS (B)-D5L	YWF4D-600MS (B)-E5L	YWF4D-600MS (B)-H5L	YWF4D-600MS (B)-G5L	YWF4D-600MS (B)-K5L
YWF6D (E)-600MS (B)-B6L	YWF6D (E)-600MS (B)-C6L	YWF6D (E)-600MS (B)-D6L	YWF6D (E)-600MS (B)-E6L	YWF6D (E)-600MS (B)-H6L	YWF6D (E)-600MS (B)-G6L	YWF6D (E)-600MS (B)-K6L

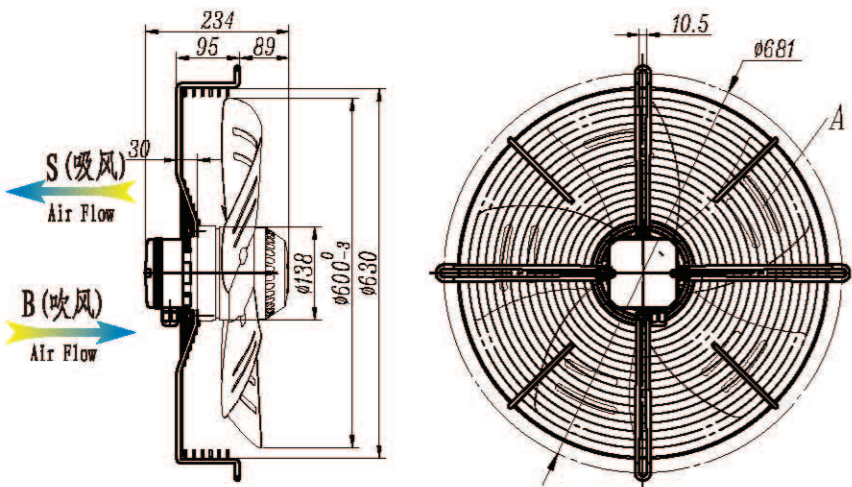




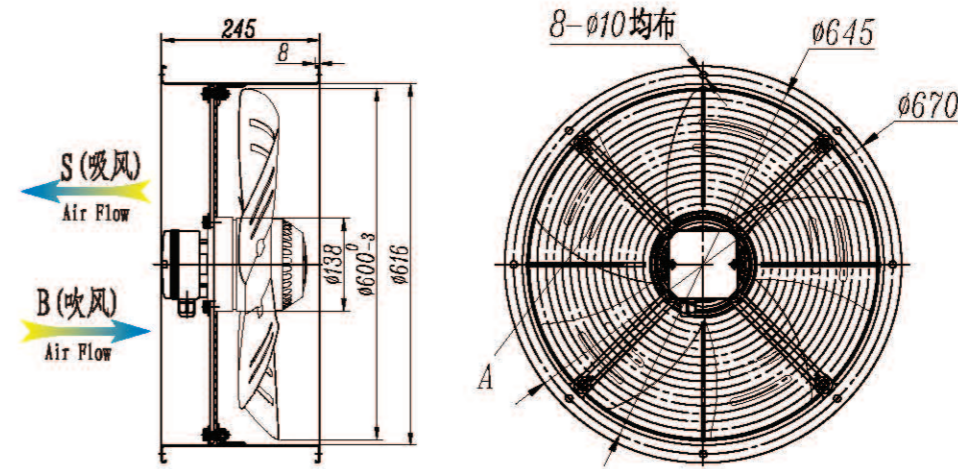
型号 MODEL	叶片数量 A
YWF4D (E)-600S (B)-CSL	5
YWF6D (E)-600S (B)-CSL	5
YWF4D-600MS (B)-CSL	5
YWF6D (E)-600MS (B)-C6L	6



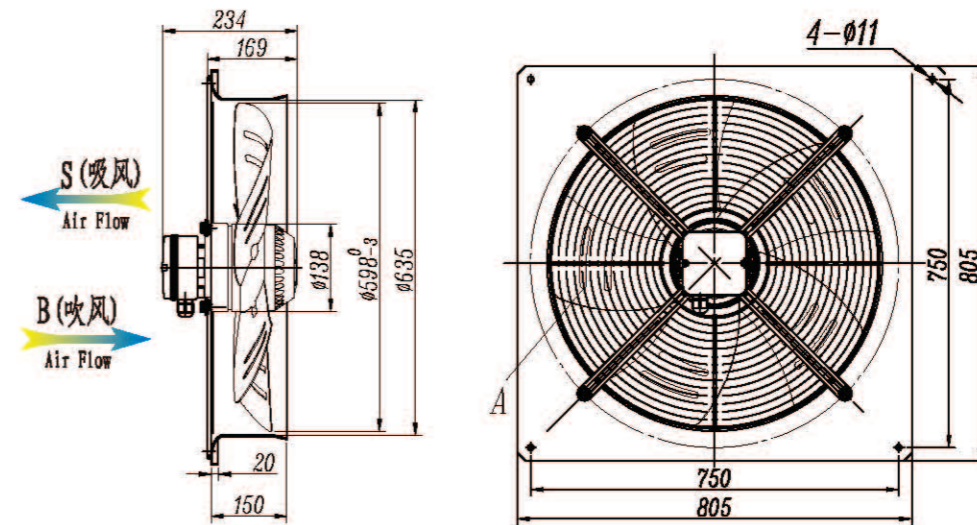
型号 MODEL	叶片数量 A
YWF4D (E)-600S (B)-DSL	5
YWF6D (E)-600S (B)-DSL	5
YWF4D-600MS (B)-DSL	5
YWF6D (E)-600MS (B)-D6L	6



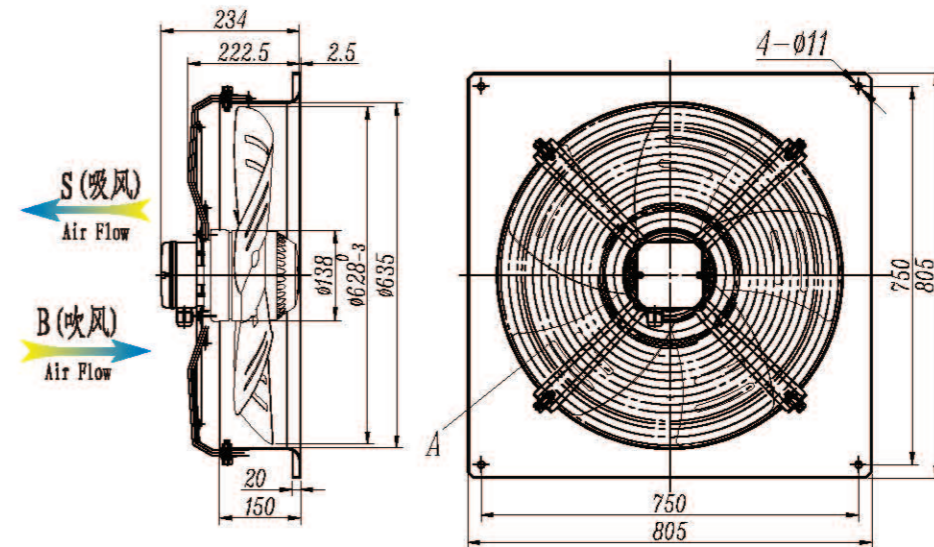
型号 MODEL	叶片数量 A
YWF4D (E)-600S (B)-ESL	5
YWF6D (E)-600S (B)-ESL	5
YWF4D-600MS (B)-ESL	5
YWF6D (E)-600MS (B)-E6L	6



型号 MODEL	叶片数量 A
YWF4D (E)-600S (B)-HSL	5
YWF6D (E)-600S (B)-HSL	5
YWF4D-600MS (B)-HSL	5
YWF6D (E)-600MS (B)-H6L	6



型号 MODEL	叶片数量 A
YWF4D (E)-600S (B)-HSL	5
YWF6D (E)-600S (B)-HSL	5
YWF4D-600MS (B)-HSL	5
YWF6D (E)-600MS (B)-H6L	6



型号 MODEL	叶片数量 A
YWF4D (E)-600S (B)-HSL	5
YWF6D (E)-600S (B)-HSL	5
YWF4D-600MS (B)-HSL	5
YWF6D (E)-600MS (B)-H6L	6



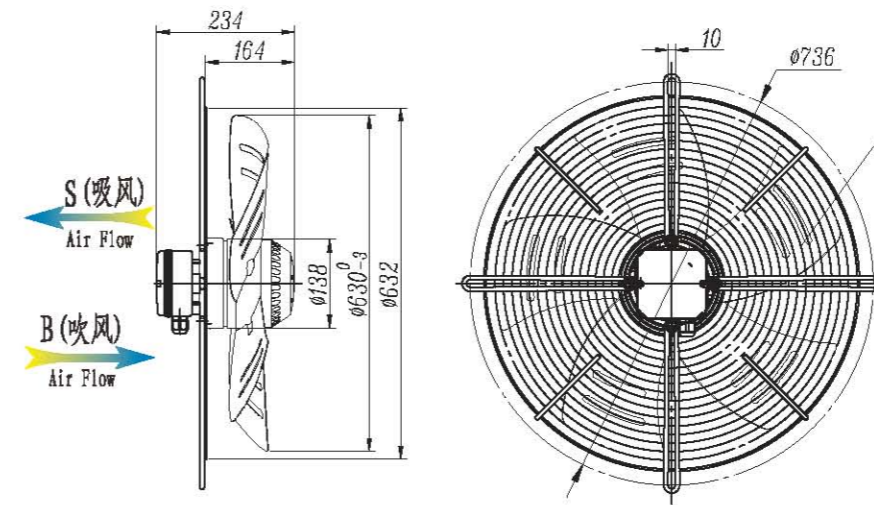
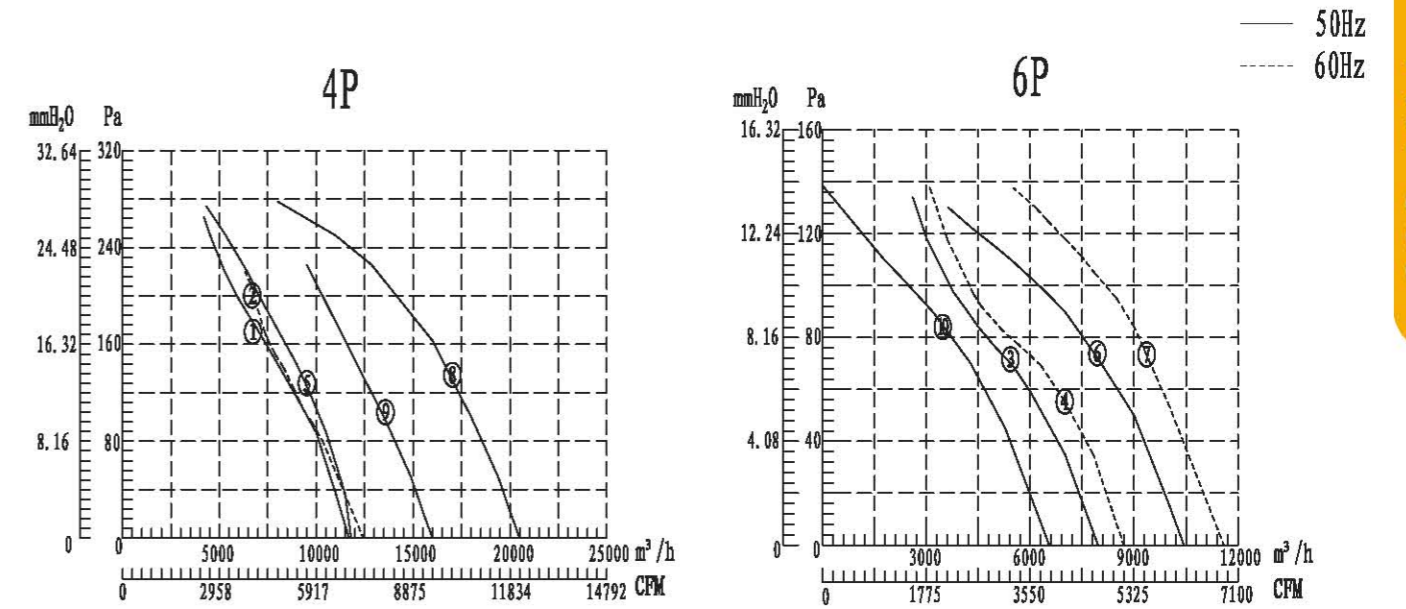


- **防护等级：IP54**  
Type of protection: IP54
- **绝缘等级：“B” “F”**  
Insulation class: “B” “F”
- **工作方式：S1**  
Mode of operation: S1
- **轴承：免维护轴承**  
Bearings: Maintenance-free bearings

技术参数 Technical data

型号 Model	曲线 Curve NO.	额定电压 Voltage	频率 Frequency	额定电流 Current	输入功率 Power input	转速 Speed	噪音 Noise	电容 Capacitor	额定风量 / 许用静压 Air Volume / Max. static Pressure	净重 N.W.
	#	V	Hz	A	W	RPM	dB(A)	μF	m³/h / Pa	Kg
YWF4D-630-B5L	①	380	50	1.8	800	1300	78	/	11695 / 120	15.2
	②	400	60	2.4	1200	1600	80	/	12280 / 125	15.2
YWF4E-630-B5L	①	220	50	4.5	900	1300	78	12	11695 / 120	15.2
	②	230	60	4.7	950	1620	80	10	12280 / 125	15.2
YWF6D-630-B5L	③	380	50	1.2	330	930	68	/	7960 / 90	15.5
	④	400	60	1.2	500	1060	70	/	8360 / 105	15.5
YWF6E-630-B5L	③	220	50	1.7	630	920	68	12	7960 / 90	15.5
	④	230	60	2.5	500	1000	70	12	8360 / 105	15.5
YWF4D-630M-B5L	⑤	380	50	2.65	1000	1380	78	/	11700 / 120	15.6
YWF6D-630M-B6L	⑥	380	50	1.48	480	920	68	/	10445 / 68	15.2
	⑦	400	60	2.0	880	1000	70	/	10970 / 70	15.2
YWF4D-630G-B7L	⑧	400▲	50	5.2	2730	1320	83	/	20500 / 200	33.5
	⑨	400Y	50	3.3	1680	1010	78	/	16000 / 125	33.5
YWF6D-630Q-B5F	⑩	380	50	1.1	400	930	68	/	6500 / 100	21.5

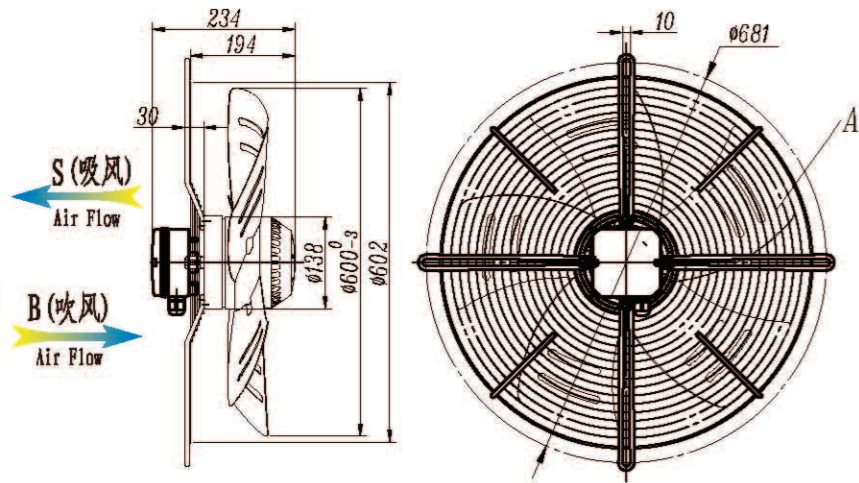
• 表中参数如有更改恕不另行通知 We will not inform you if we change the data in the form



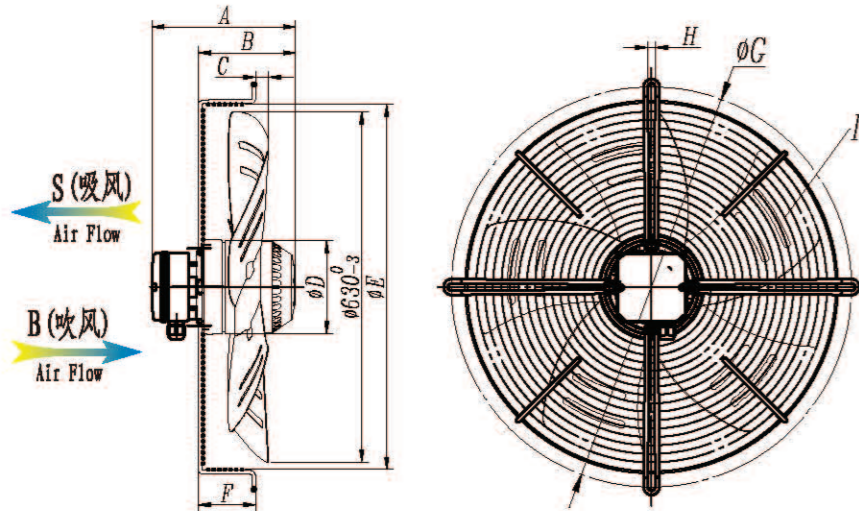
型号 MODEL	叶片数量 C
YWF4D (E)-630S (B)-B5L	5
YWF6D (E)-630S (B)-B5L	5
YWF4D-630MS (B)-B5L	5
YWF6D-630MS (B)-B6L	6

Model NO. B	Model NO. C	Model NO. D	Model NO. E	Model NO. H	Model NO. G	Model NO. K
YWF4D (E)-630S (B)-B5L	YWF4D (E)-630S (B)-C5L	YWF4D (E)-630S (B)-D5L	YWF4D (E)-630S (B)-B5L	YWF4D (E)-630S (B)-H5L	YWF4D (E)-630S (B)-G5L	YWF4D (E)-630S (B)-K5L
YWF6D (E)-630S (B)-B5L	YWF6D (E)-630S (B)-C5L	YWF6D (E)-630S (B)-D5L	YWF6D (E)-630S (B)-B5L	YWF6D (E)-630S (B)-H5L	YWF6D (E)-630S (B)-G5L	YWF6D (E)-630S (B)-K5L
YWF4D-630MS (B)-B5L	YWF4D-630MS (B)-C5L	YWF4D-630MS (B)-D5L	YWF4D-630MS (B)-B5L	YWF4D-630MS (B)-H5L	YWF4D-630MS (B)-G5L	YWF4D-630MS (B)-K5L
YWF6D-630MS (B)-B6L	YWF6D-630MS (B)-C6L	YWF6D-630MS (B)-D6L	YWF6D-630MS (B)-B6L	YWF6D-630MS (B)-H6L	YWF6D-630MS (B)-G6L	YWF6D-630MS (B)-K6L
/	/	YWF4D-630GS (B)-D7L	/	/	YWF4D-630GS (B)-G7L	YWF4D-630GS (B)-K7L
/	/	/	YWF6D-630QS (B)-B5F	/	/	/

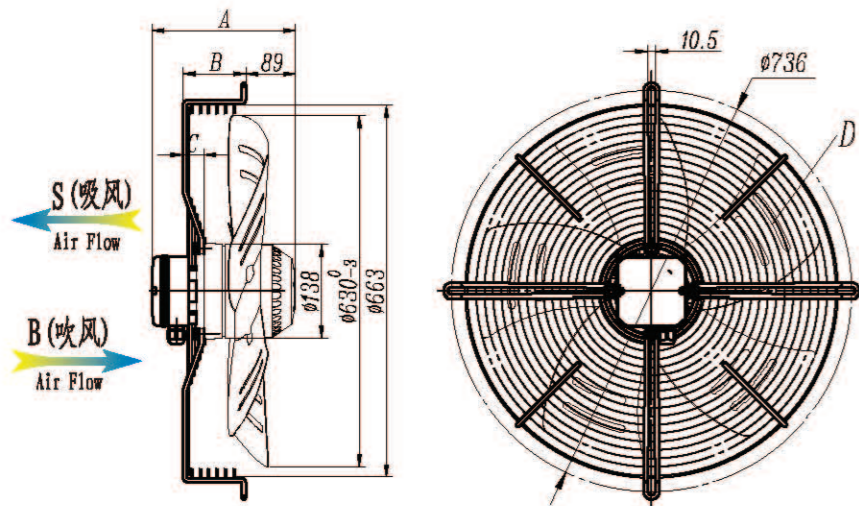




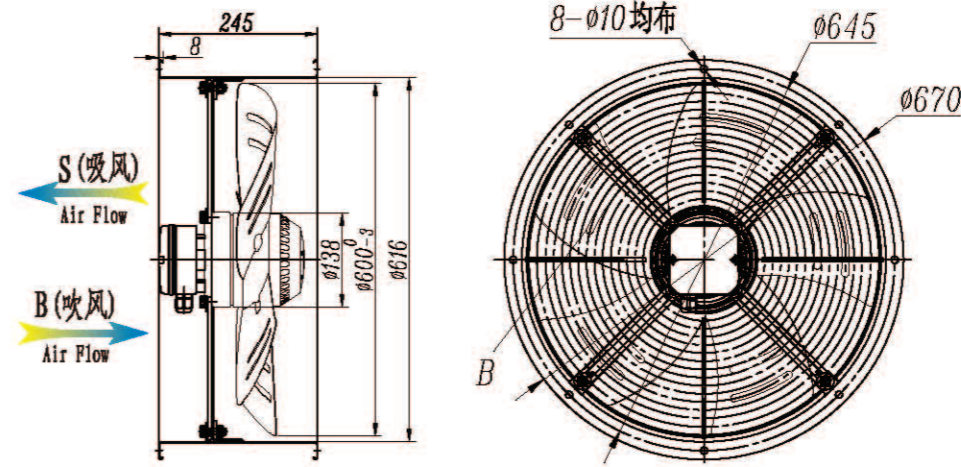
型号 MODEL	叶片数量 C
YWF4D (R)-630S (B)-CSL	5
YWF6D (R)-630S (B)-CSL	5
YWF4D-630MS (B)-CSL	5
YWF6D-630MS (B)-C6L	6



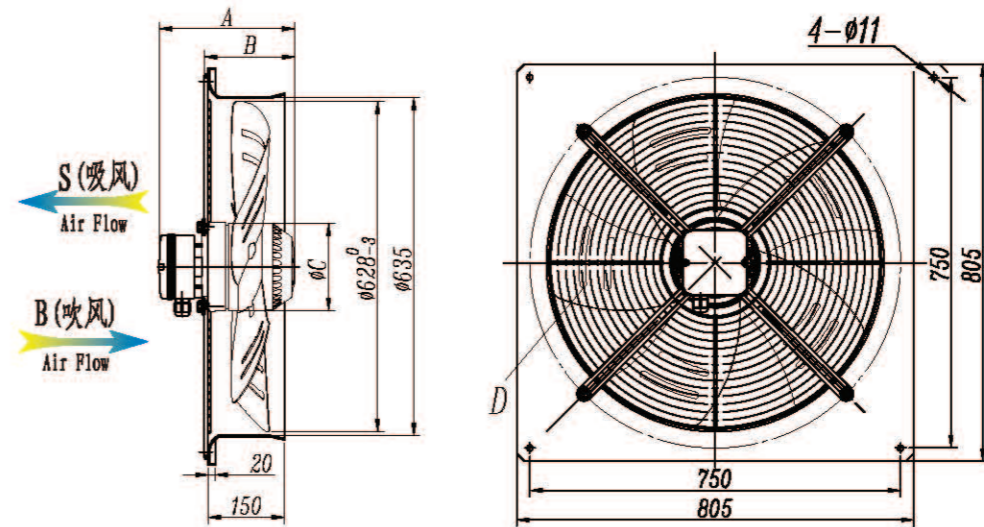
型号 MODEL	尺寸								叶片数量
	A	B	C	D	E	F	G	H	
YWF4D (R)-630S (B)-DSL	234	169	9	138	663	60	736	10.5	5
YWF6D (R)-630S (B)-DSL	234	169	4	138	663	60	736	10.5	5
YWF4D-630MS (B)-DSL	234	169	52	138	663	60	736	10.5	5
YWF6D-630MS (B)-D6L	234	169	59	138	663	60	736	10.5	6
YWF4D-630GS (B)-D7L	230	89	20	180	696	169	750	10	7



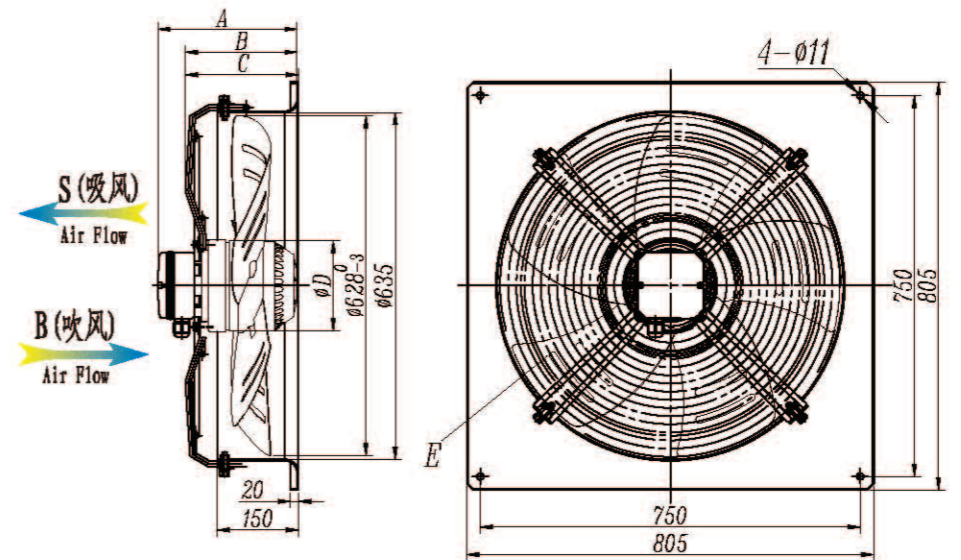
型号 MODEL	尺寸				叶片数量
	A	B	C	D	
YWF4D (R)-630S (B)-BSL	234	95	30	5	
YWF6D (R)-630S (B)-BSL	234	95	30	5	
YWF4D-630MS (B)-BSL	234	95	30	5	
YWF6D-630MS (B)-B6L	234	95	30	6	
YWF6D-630QS (B)-BSF	262	115	38	5	



型号 MODEL	叶片数量 A
YWF4D (R)-630S (B)-CSL	5
YWF6D (R)-630S (B)-CSL	5
YWF4D-630MS (B)-CSL	5
YWF6D-630MS (B)-C6L	6



型号 MODEL	尺寸				叶片数量
	A	B	C	D	
YWF4D (R)-630S (B)-DSL	234	169	138	5	
YWF6D (R)-630S (B)-DSL	234	169	138	5	
YWF4D-630MS (B)-DSL	234	169	138	5	
YWF6D-630MS (B)-D6L	234	169	138	6	
YWF4D-630GS (B)-D7L	230	165	180	7	



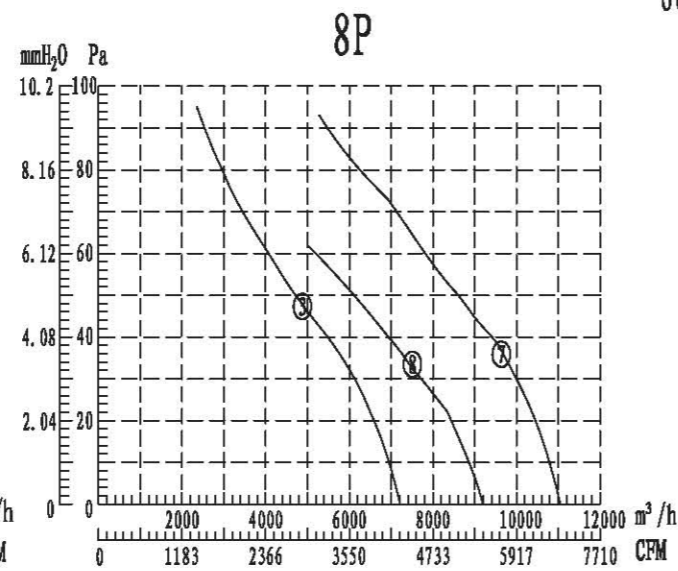
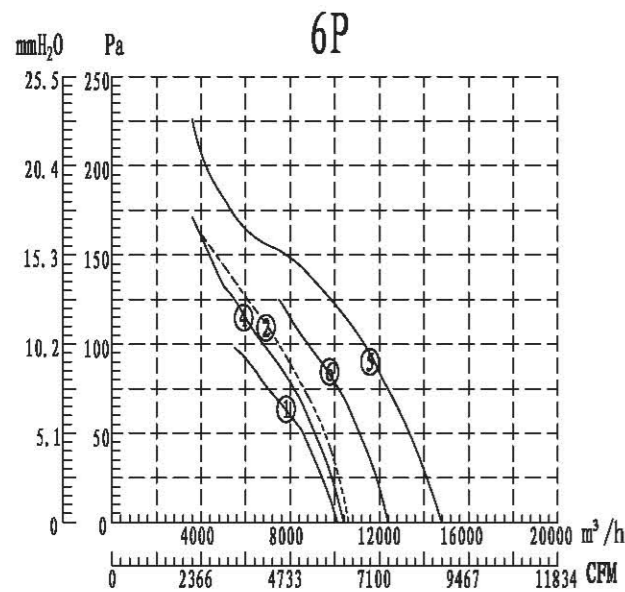
型号 MODEL	尺寸					叶片数量
	A	B	C	D	E	
YWF4D (R)-630S (B)-DSL	234	222.5	225	138	5	
YWF6D (R)-630S (B)-DSL	234	222.5	225	138	5	
YWF4D-630MS (B)-DSL	234	222.5	225	138	5	
YWF6D-630MS (B)-D6L	234	222.5	225	138	6	
YWF4D-630GS (B)-D7L	260	248.5	251	180	7	





- **防护等级：IP54**  
Type of protection: IP54
- **绝缘等级：“B” “F”**  
Insulation class: “B” “F”
- **工作方式：S1**  
Mode of operation: S1
- **轴承：免维护轴承**  
Bearings: Maintenance-free bearings

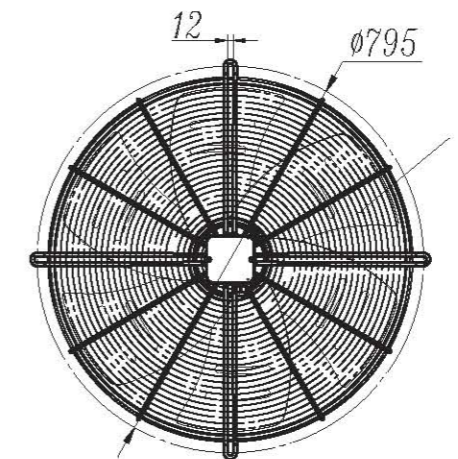
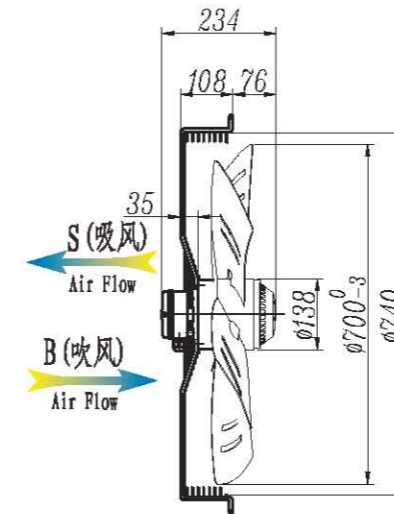
— 50Hz  
- - - 60Hz



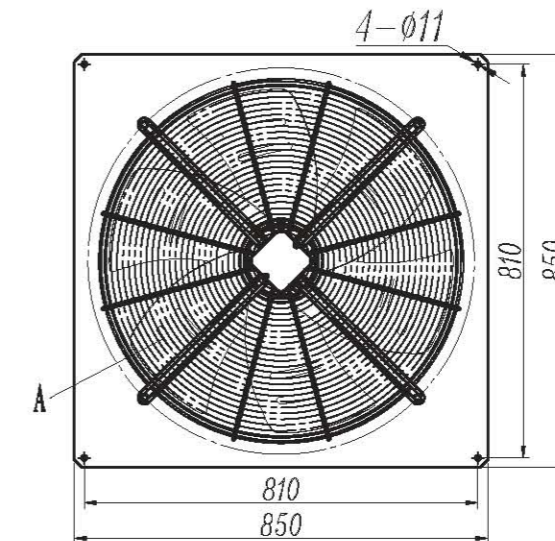
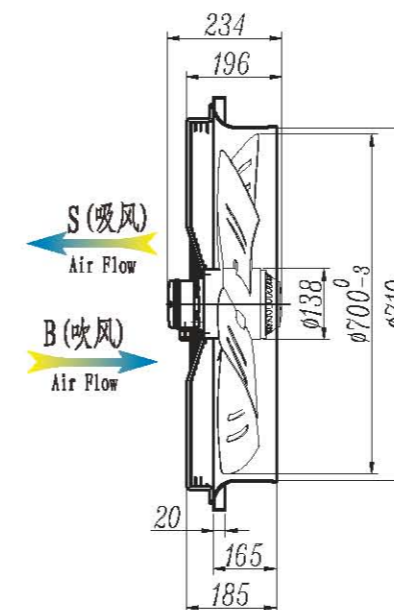
### 技术参数 Technical data

型号 Model	曲线 Curve NO.	额定电压 Voltage	频率 Frequency	额定电流 Current	输入功率 Power input	转速 Speed	噪音 Noise	电容 Capacitor	额定风量 / 许用静压 Air Volume / Max. static Pressure	净重 N.W.
	#	V	Hz	A	W	RPM	dB(A)	μF	m <sup>3</sup> /h / Pa	Kg
YWF6D-710-E6L	①	380	50	1.05	440	810	68	/	10165 / 95	19.5
	②	400	60	1.6	700	1020	70	/	10675 / 85	19.5
YWF8D-710-E6L	③	380	50	1.36	330	665	60	/	7220 / 75	19.2
YWF6D-710M-E7L	④	380	50	2.05	920	1020	68	/	10445 / 95	20.5
YWF6D-710G-E7L	⑤	400▲	50	1.78	925	930	77	/	14800 / 110	32
	⑥	400Y	50	1.25	651	720	73	/	12400 / 65	32
YWF8D-710G-E7L	⑦	400▲	50	0.88	450	700	70	/	11200 / 60	28.5
	⑧	400Y	50	0.61	320	530	62	/	9200 / 40	28.5

• 表中参数如有更改恕不另行通知 We will not inform you if we change the data in the form



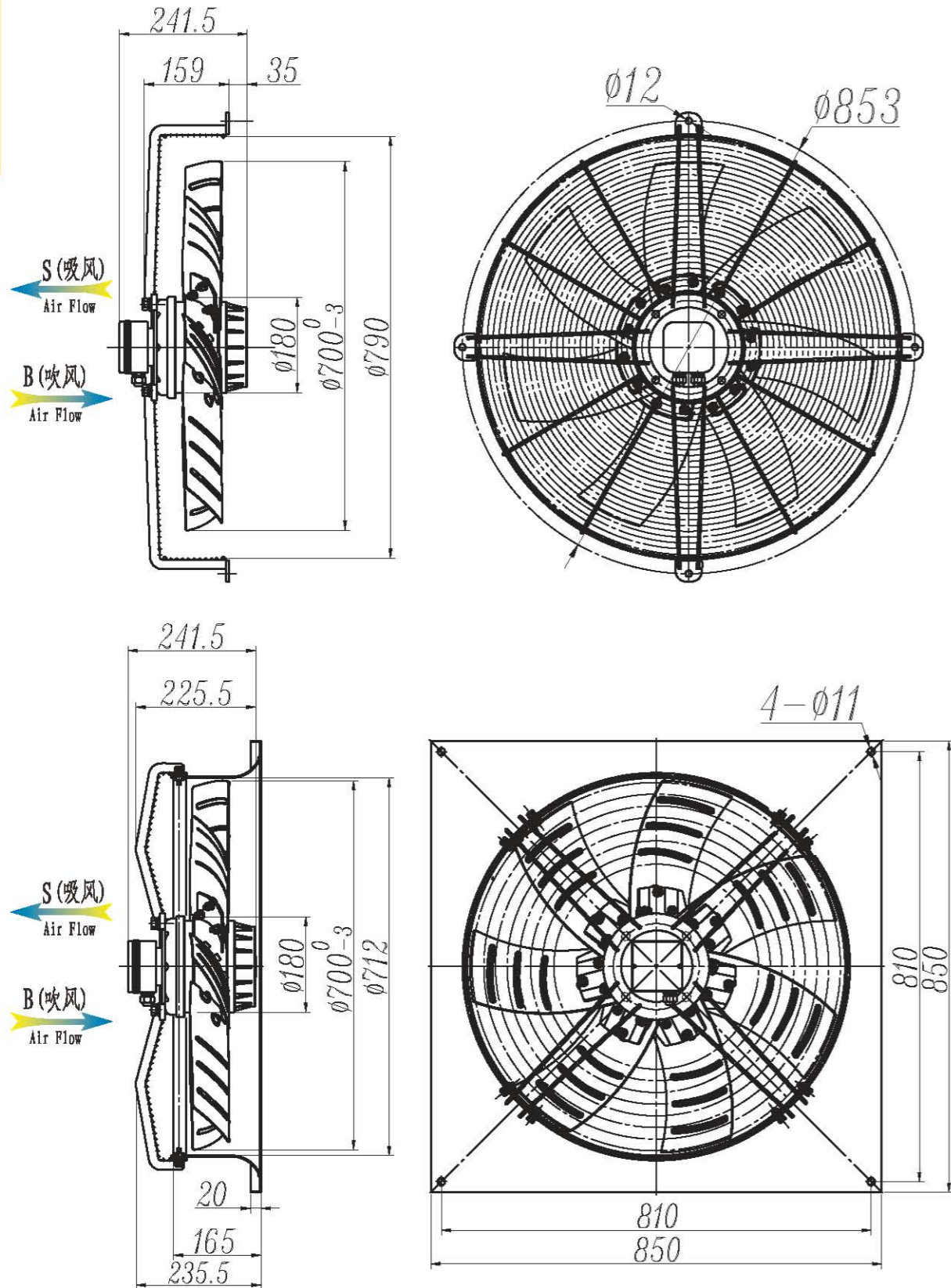
型号 MODEL	叶片数量 A
YWF6D-710S (B)-E6L	6
YWF8D-710S (B)-E6L	6
YWF6D-710MS (B)-E7L	7



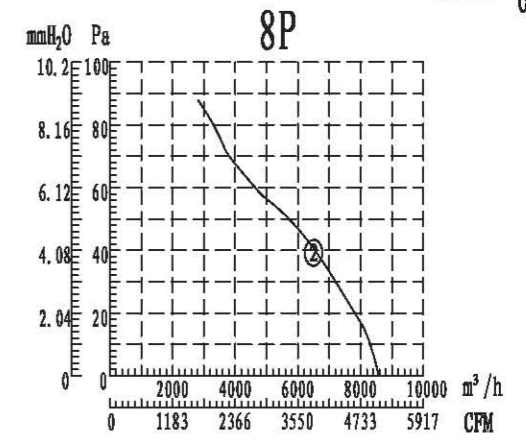
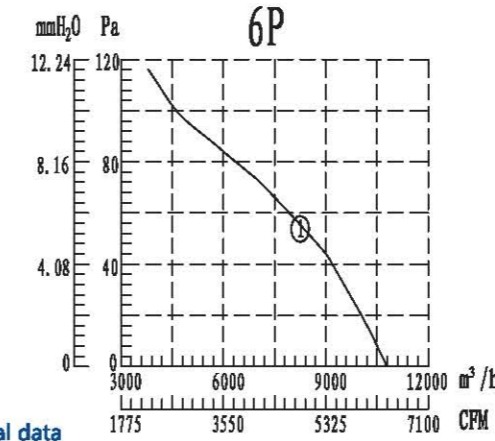
型号 MODEL	叶片数量 A
YWF6D-710S (B)-G6L	6
YWF8D-710S (B)-G6L	6
YWF6D-710MS (B)-G7L	7

Model NO. B	Model NO. C	Model NO. D	Model NO. E	Model NO. H	Model NO. G	Model NO. K
/	/	/	YWF6D-710S (B)-E6L	/	YWF6D-710S (B)-G6L	/
/	/	/	YWF8D-710S (B)-E6L	/	YWF8D-710S (B)-G6L	/
/	/	/	YWF6D-710MS (B)-E7L	/	YWF6D-710MS (B)-G7L	/
/	/	/	YWF6D-710GS (B)-E7L	/	/	YWF6D-710GS (B)-K7L
/	/	/	YWF8D-710GS (B)-E7L	/	/	YWF8D-710GS (B)-K7L





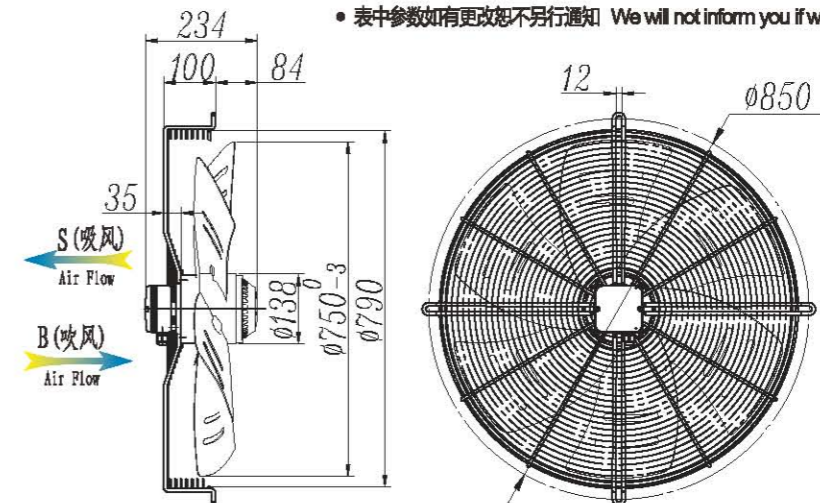
- 防护等级：IP54  
Type of protection: IP54
- 绝缘等级：“B” “F”  
Insulation class: “B” “F”
- 工作方式：S1  
Mode of operation: S1
- 轴承：免维护轴承  
Bearings: Maintenance-free bearings



技术参数 Technical data

型号 Model	曲线 Curve NO.	额定电压 Voltage	频率 Frequency	额定电流 Current	输入功率 Power input	转速 Speed	噪音 Noise	电容 Capacitor	额定风量 Air Volume	许用静压 Max. static Pressure	净重 N.W.
YWF6D-750-B6L	①	380	50	1.6	650	850	62	/	10907 /	85	22.5
YWF8D-750-B6L	②	380	50	1.55	380	680	60	/	8580 /	80	22.0

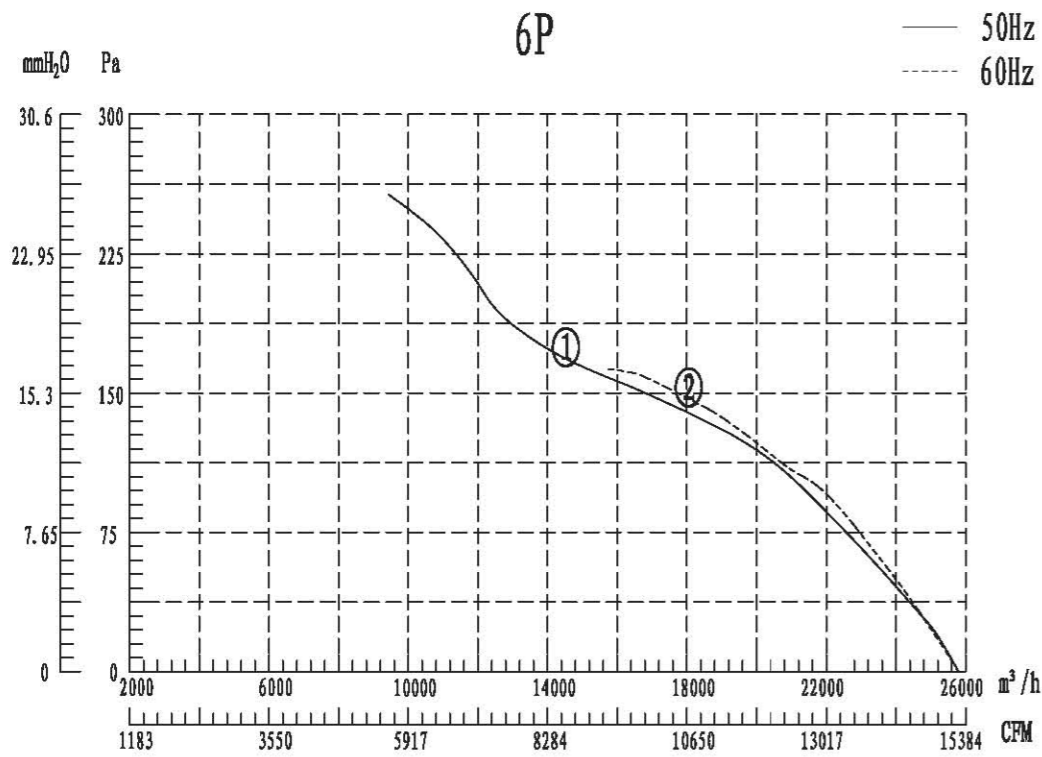
表中参数如有更改恕不另行通知 We will not inform you if we change the data in the form







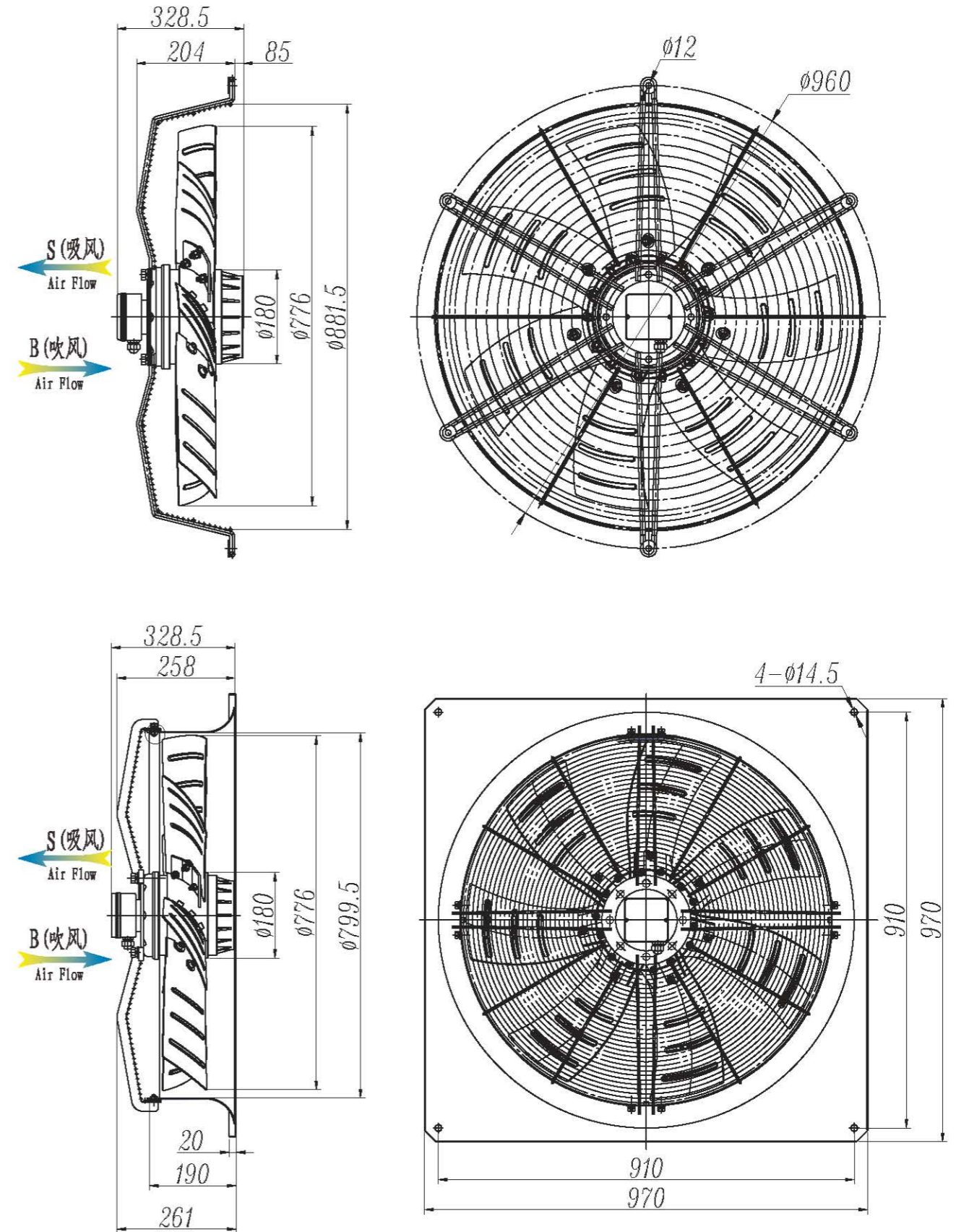
- 防护等级：IP54  
Type of protection: IP54
- 绝缘等级：“B” “F”  
Insulation class: “B” “F”
- 工作方式：S1  
Mode of operation: S1
- 轴承：免维护轴承  
Bearings: Maintenance-free bearings



技术参数 Technical data

型号 Model	曲线 Curve NO.	额定电压 Voltage	频率 Frequency	额定电流 Current	输入功率 Power input	转速 Speed	噪音 Noise	电容 Capacitor	额定风量 / 许用静压 Air Volume / Max. static Pressure	净重 N.W.
	#	V	Hz	A	W	RPM	dB(A)	μF	m³/h / Pa	Kg
YWF6D-800G-B7L	①	380	50	4.1	2120	900	80	/	25800 / 95	35.0
YWF6D-800G-K7L	②	380	60	3.5	1938	1070	80	/	25800 / 125	35.0

• 表中参数如有更改恕不另行通知 We will not inform you if we change the data in the form

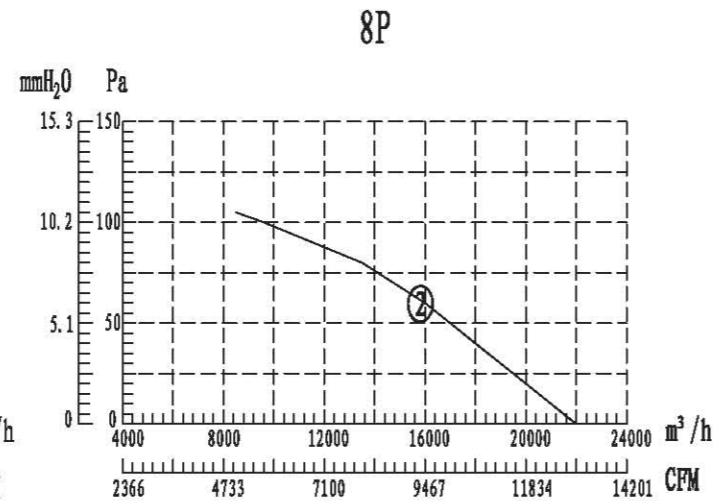
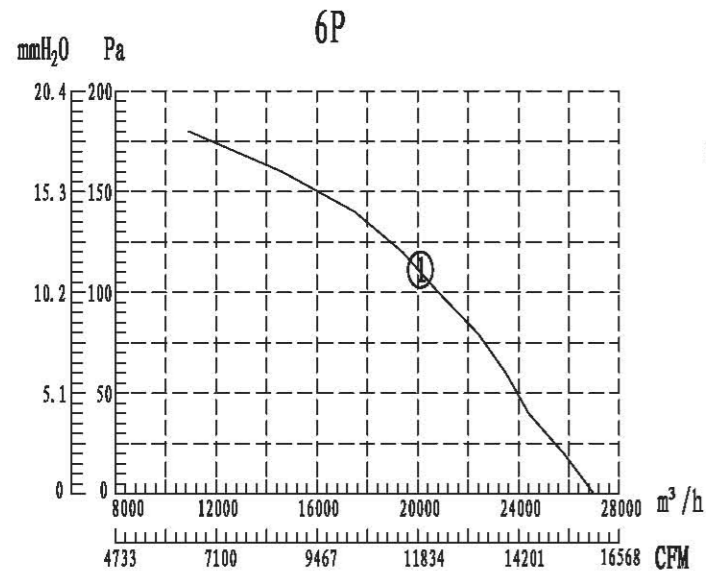






- **防护等级 : IP54**  
Type of protection: IP54
- **绝缘等级 : "B" "F"**  
Insulation class: "B" "F"
- **工作方式 : S1**  
Mode of operation: S1
- **轴承 : 免维护轴承**  
Bearings: Maintenance-free bearings

— 50Hz  
- - - 60Hz



### 技术参数 Technical data

曲线	曲线 NO.	额定电压	频率	额定电流	输入功率	转速	噪音	电容	额定风量	许用静压	净重
	#	V	Hz	A	W	RPM	dB(A)	μF	m <sup>3</sup> /h / Pa	Max. static Pressure	Kg
	①	380▲	50	3.1	1350	900	85	/	27000 / 180		42.0
	②	380	50	1.55	870	720	80	/	22000 / 100		41.0

• 表中参数如有更改恕不另行通知 We will not inform you if we change the data in the form

