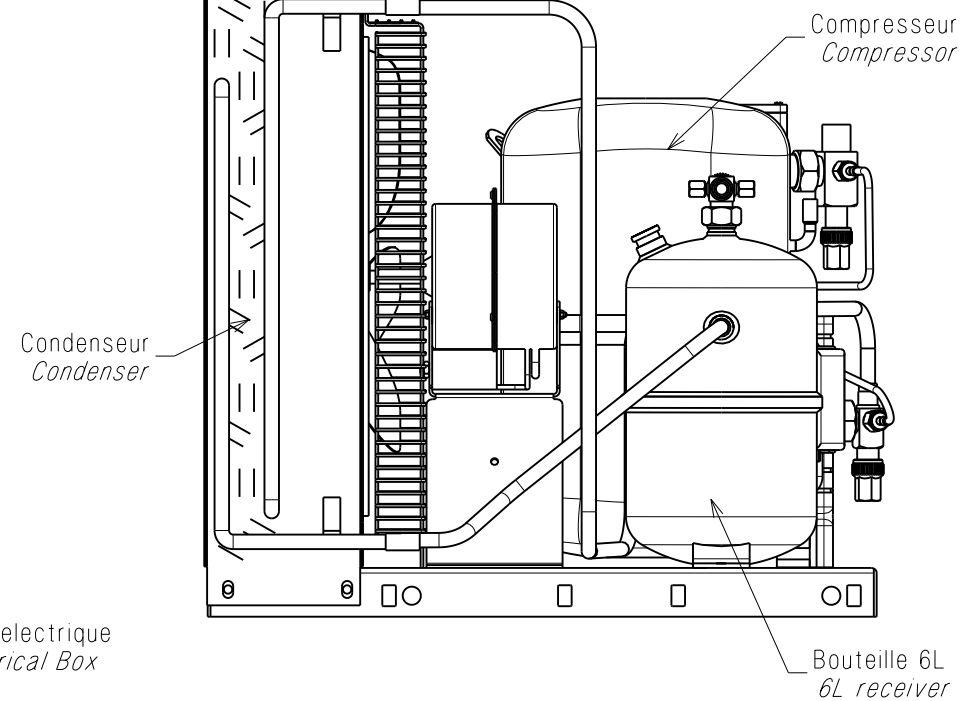
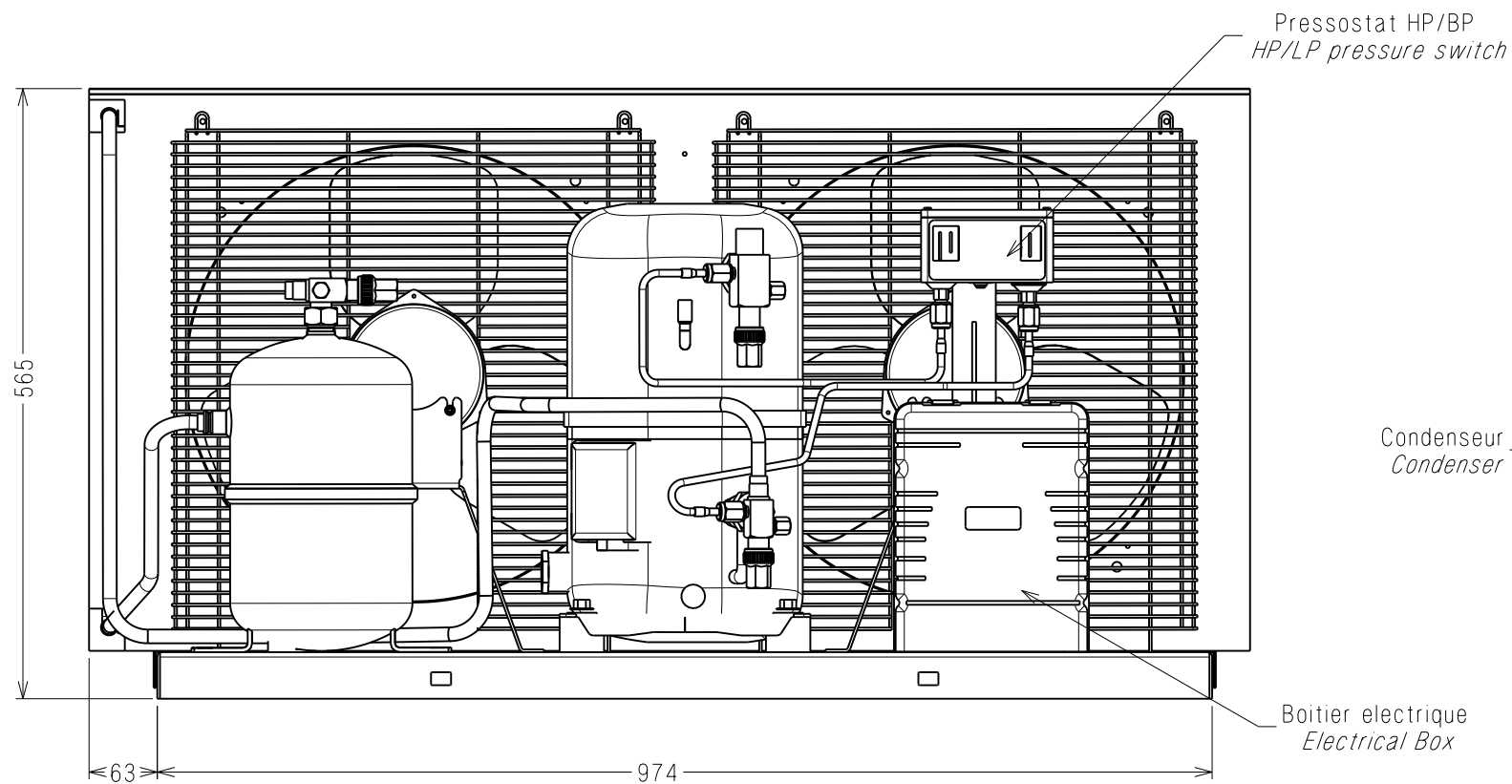
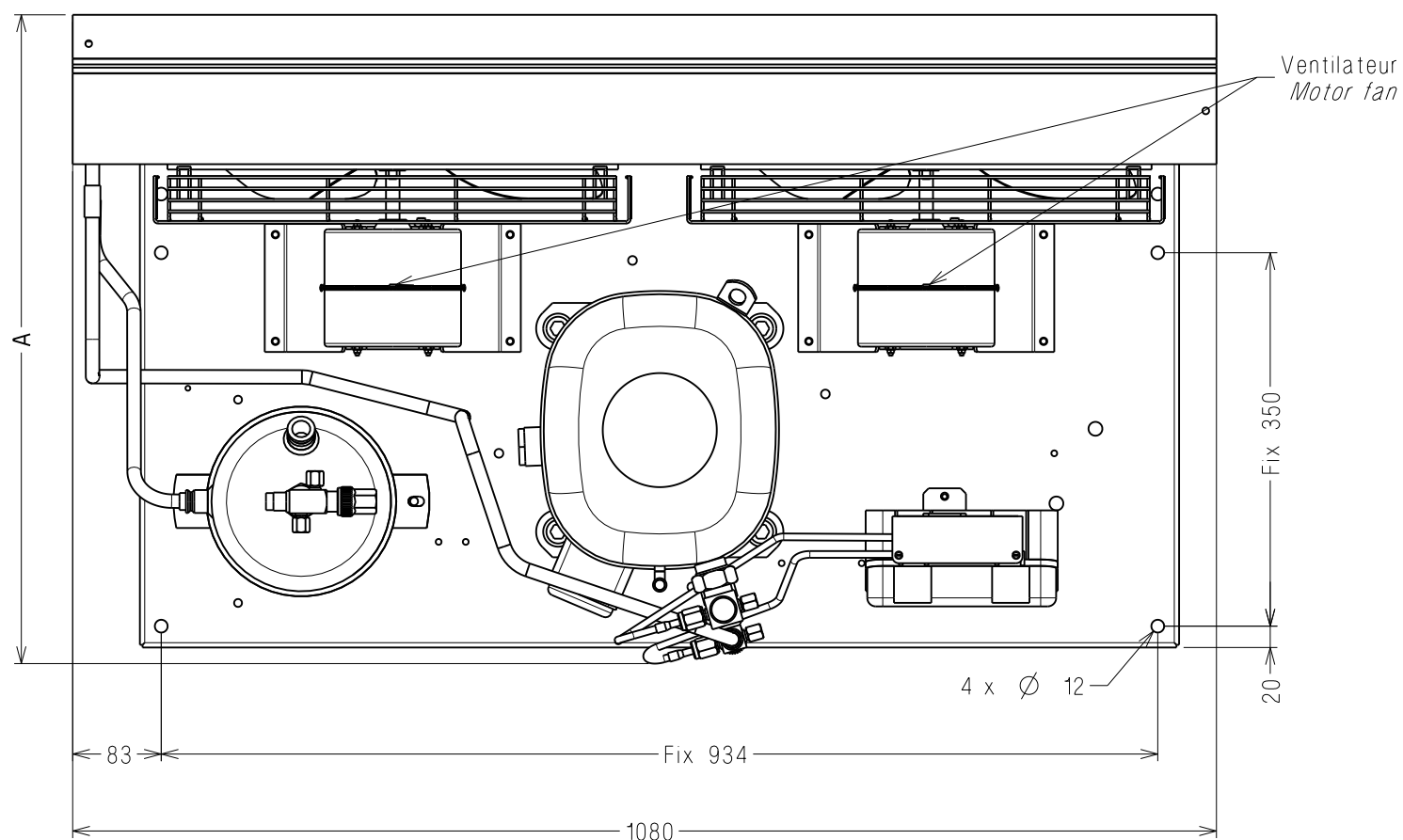


DG8010

NOTES



Groupe	A (mm)
TAGT4528YHR	608
TAGT4534YHR	
TAGT4537YHR	
TAG4546ZHR	
TAG4553ZHR	
TAG4546THR	
TAG4553THR	629
TAGT2522ZBR	
TAGT4546ZHR	646
TAGT4553ZHR	
TAGT4546THR	
TAGT4553THR	
TAGT4561THR	
TAGT4561ZHR	
TAGT4568ZHR	
TAGT4573ZHR	
TAGT4568THR	
TAGT4573THR	



24541	-	---	Creation	20/10/04	SR	SH
A.M. File no.	Ind Rev	Rep. Mark	Modifications Change content	Date Date	Visa Sign	Verif Check

MATIERE : X  
Material:

**COTES CRITIQUES**  
**Q.A. SYMBOLS**

★	CATEGORIE 1	CATEGORY 1
▲	CATEGORIE 2	CATEGORY 2
■	CATEGORIE 3	CATEGORY 3
□	CATEGORIE 4	CATEGORY 4

CATEGORIES DEFINIES PAR SP7121  
IN ACCORDANCE WITH SP7121

TOLERANCES GENERALES GENERAL TOLERANCES	lineaire: straight: ± 2 angulaire: angular: ± --	
--	---	--

Dessine par: Drawn by: S.RIFFARD	le: 20/10/04	ECH. Scale 0.15	ORIGINE Origin
Verifie par: Check by: S.HABRARD	le: 20/10/04		-

**TYPE DE DIFFUSION**  
**KIND OF PUBLICATION**  
(Rayer les mentions inutiles)  
(Check off the useless informations)

<input type="checkbox"/>	BON POUR CONSULTATION FOR QUOTATION
<input type="checkbox"/>	BON POUR FABRICATION PRESERIE FOR SMALL PRODUCTION
<input type="checkbox"/>	BON POUR FABRICATION SERIE FOR LARGE PRODUCTION

Date: \_\_\_\_\_ Visa: \_\_\_\_\_  
Date: \_\_\_\_\_ Sign: \_\_\_\_\_

<b>GRUPE TAG</b> <b>BIVENTILATEUR</b> <b>TWIN FAN TAG</b> <b>CONDENSING UNIT</b>	<b>TECUMSEH EUROPE S.A.</b> 38290 LA VERPILLIERE
	<b>DG8010</b>

Indice  
Revision  
-

Ce plan est propriete exclusive de notre societe tous droits de reproduction et de diffusion reserves.  
This drawing is the property of our society copyrights and publications reserved.

DIFFUSION : PUBLICATION :