

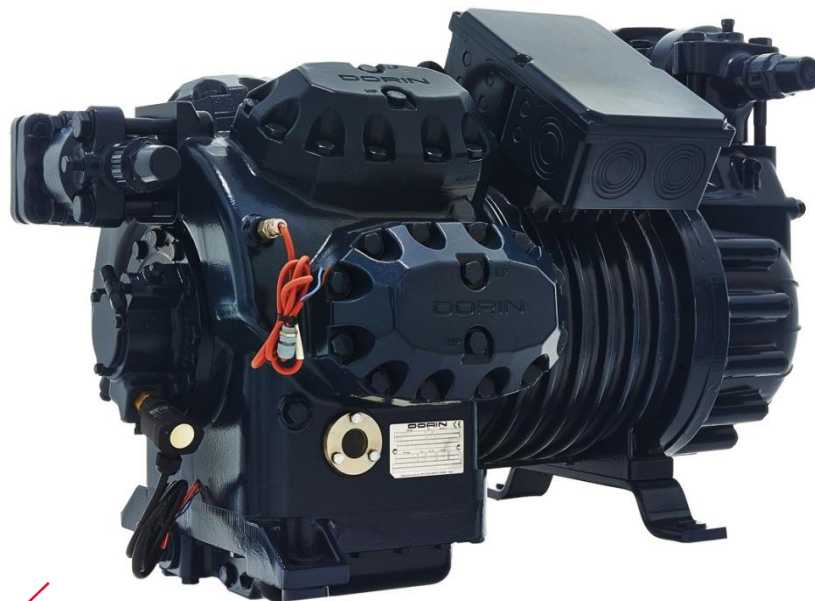


OFFICINE MARIO DORIN SINCE 1918

DORIN[®]
INNOVATION

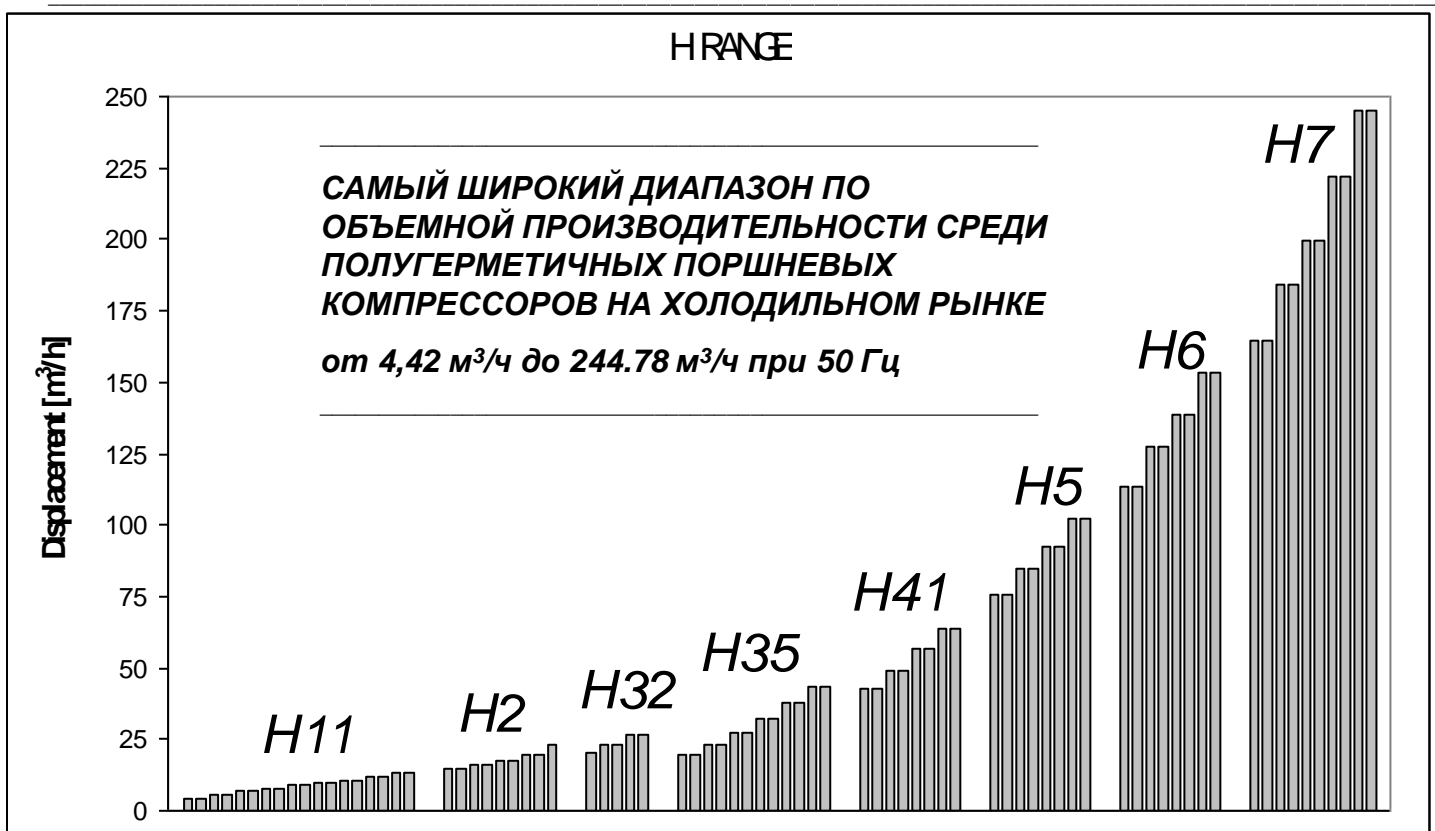
H SERIES СЕРИЯ

2015



SEMI-HERMETIC MOTOR
COMPRESSORS
MOTOCOMPRESSORI SEMIERMETICI
ПОЛУГЕРМЕТИЧНЫЕ /
БЕССАЛЬНИКОВЫЕ КОМПРЕССОРЫ
HALBHERMETISCHE VERDICHTER

| | | |
|---|--|----|
| ■ | Introduzione / Introduction / Введение / Einführung | 3 |
| ■ | Gamma completa / Complete range / Модельный ряд / Produktpalette | 4 |
| ■ | Pesi e rubinetti / Weight and valves / Вес и соединения / Gewichte und Ventile | 5 |
| ■ | Max corrente di funzionam. / Max operating current / Макс. рабочий ток / Max Betriebsstrom | 6 |
| ■ | Corrente a rotore bloccato / Locked rotor current / Пусковой ток (с заблок. ротором) / Anlaufstrom | 8 |
| ■ | Accessori / Accessories / Дополнительное оборудование_аксессуары / Zubehör | 10 |
| ■ | Pressione sonora / Sound pressure / Уровень звукового давления / Schalldruckpegel | 12 |
| ■ | Limiti d'applicazione / Application limits / Область применения / Einsatzgrenzen | 14 |
| ■ | Prestazioni / Performances Data / Данные по производительности / Leistungswerte | 16 |
| | R134a | 16 |
| | R407F / R407A | 20 |
| | R404A / R507 | 24 |
| | R407C | 28 |
| ■ | Ingombri / Overall dimensions / Габаритные размеры / Abmessungen | 31 |



member of:



www.asercom.org

I compressori semiermetici Dorin nascono per essere la miglior risposta alle caratteristiche dei nuovi refrigeranti ed alle esigenze di mercato, ponendo in primo piano gli aspetti legati ad efficienza energetica, affidabilità e silenziosità.

La gamma copre volumi spostati da 4,42 a 244,78 m³/h, con potenze elettriche nominali da 0,5 a 90 hp.

Le principali caratteristiche della gamma presentata sono:

- elevati valori di C.O.P., ottenuti grazie all'ottimizzazione fluidodinamica dei passaggi interni, all'adozione di motori ad alta efficienza ed all'introduzione di componentistica di ultima generazione
- possibilità di funzionamento con tutti i refrigeranti più diffusi sul mercato: R404A, R134a, R407C, R507, R407F, R407A
- livelli di rumorosità estremamente contenuti
- fenomeni vibratorii limitati, tramite accurato bilanciamento delle masse
- riduzione delle pulsazioni di pressione del gas
- possibilità di azionamento a frequenza variabile
- scatola attacchi elettrici IP 65 di serie sulla totalità della gamma

La qualità dell'intera produzione Dorin è garantita dalla conformità alle norme EN ISO9001. A richiesta sono disponibili modelli certificati UL.

(Underwriters Laboratories Inc.: file n° SA11929).



Dorin semihermetic compressors are created to be even more compatible with the characteristics of new refrigerants and the demands of the market related to efficiency, reliability and low noise level.

The range covers displacements from 4,42 to 244,78 m³/h and nominal capacities from 0,5 to 90 hp.

The main characteristics of our compressors are:

- high C.O.P. values, thanks to fluidodynamic optimisation of the internal flow paths, high efficiency motors and high tech components
- suitable for all the main refrigerants available, e.g. R404A, R134a, R407C, R507, R407F, R407A
- very low noise level
- low vibrations, thanks to an optimised mass balance
- low gas pulsation
- available on request for frequency variations
- standard electrical box IP65

Dorin's manufacturing quality is granted by the certification provided in accordance with Directive EN ISO9001. On request, we are able to supply compressors complying with UL requirements.

(Underwriters Laboratories Inc.: file n° SA11929).



Полугерметичные компрессоры Dorin созданы, чтобы быть еще более адаптированы к новым хладагентам и требованиям рынка, основой которого является эффективность, надежность и низкий уровень шума.

Диапазон по объемной производительности охватывает от 4,42 до 244,78 м³/ч и номинальных мощностей эл.двигателя от 0,5 до 90 л.с.

Основные характеристики компрессоров Dorin:

- высокий холодильный коэф-т C.O.P. – обеспечивается благодаря гидродинамической оптимизации внутренней конструкции компрессора, наличию высокоэффективных эл. двигателей и высокотехнических компонентов
- адаптирован ко всем известным хладагентам, например: R404A, R134a, R407C, R507, R407F, R407A
- очень низкий
- низкая вибрация, благодаря оптимизированной балансировки движущихся частей компрессора
- низкая газовая пульсация
- возможность поставки (по запросу) эл. двигателя с др. частотой эл.сети
- стандартная клеммная коробка IP65

Производственная база Dorin SpA сертифицирована согласно Европейской Директиве ENISO9001. По запросу, мы способны снабдить компрессоры Сертификатами UL.

(Underwriters Laboratories Inc.: file n° SA11929).



Die halbhermetischen Verdichter von Dorin wurden entwickelt um den Anforderungen der neuen Kältemittel und den Markterfordernissen Rechnung zu tragen, wobei die Aspekte Energieeffizienz, Zuverlässigkeit und minimale Geräuschentwicklung im Vordergrund standen.

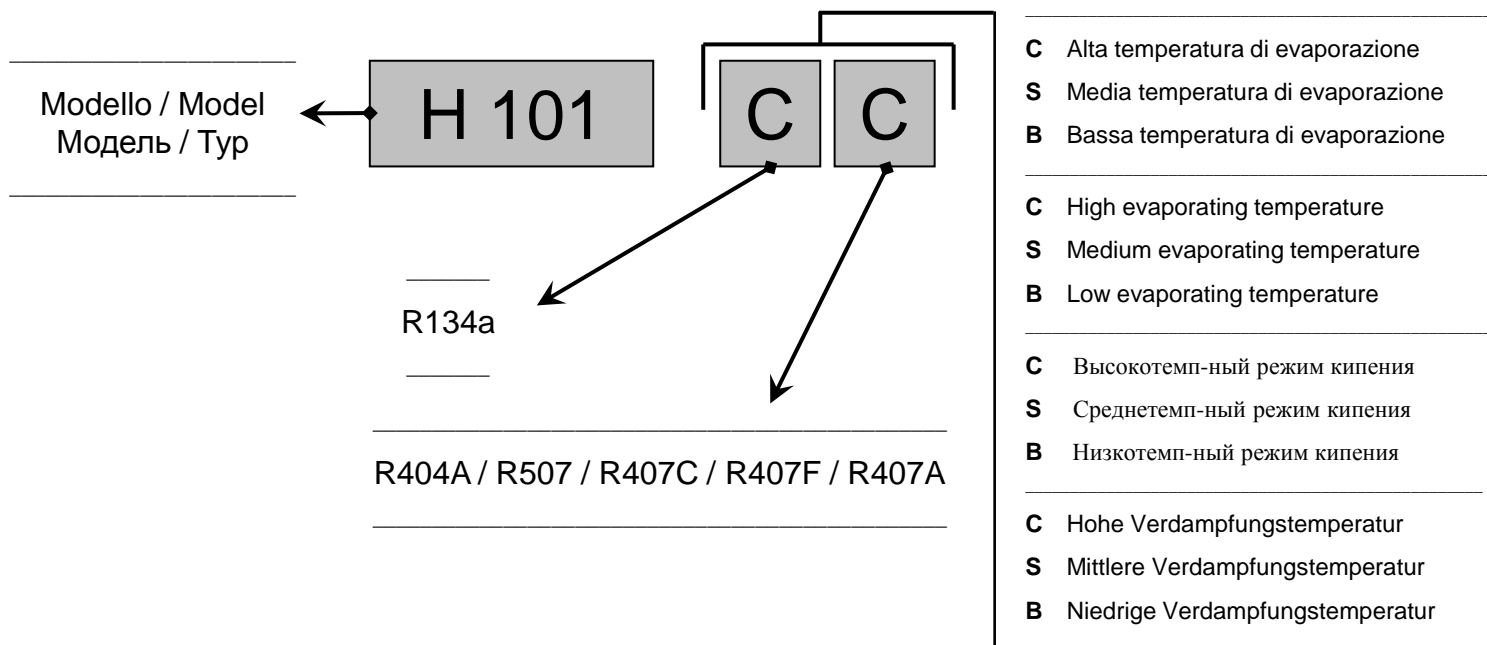
Die Baureihe deckt Fördermengen von 2,89 bis 244,78 m³/h ab bei Nennleistungen zwischen 0,5 PS und 90 PS.

Wichtigste Merkmale der vorgestellten Baureihe:

- hohe Leistungszahl (COP) dank der Optimierung der Strömungsdynamik der internen Medienleitungen, der Verwendung von Hochleistungsmotoren und der Einführung von Komponenten der neuesten Generation
- Betrieb mit allen marktgängigen Kältemitteln möglich: R404A, R134a, R407C, R507, R407F, R407A
- Extrem geringe Geräuschentwicklung
- Verringerung von Schwingungen durch optimalen Massenausgleich
- Verringerung von Gasdruckschwankungen
- Ansteuerung mit unterschiedlichen Frequenzen möglich
- Schutzart IP 65 bei fast allen Modellen der Baureihe serienmäßig

Die Qualität aller Dorin-Produkte ist gewährleistet durch ein zertifiziertes Qualitätsmanagementsystem nach EN ISO 9001. Modelle mit UL-Zulassung sind auf Anfrage lieferbar.

(Underwriters Laboratories Inc.: file n° SA11929).



| Serie Range Серия Serie | Modello Model Модель Typ | Vol. Spost. Displacement Об. произв-ть Fördervolumen | Cilindri Cylinders Кол-во цил Zylinder | Campo d'applicazione Application range Область применения Einsatzbereich | |
|----------------------------------|-----------------------------------|---|---|---|-------|
| | | | | R404A / R507 R407F / R407A R407C* | R134a |
| | | 50 Hz [m³/h] | | | |
| H11 | H51CS | 4,42 | 2 | M | H |
| | H80CC | 4,42 | 2 | H | H |
| | H80CS | 5,37 | 2 | M | H |
| | H101CC | 5,37 | 2 | H | H |
| | H101CS | 6,71 | 2 | M | H |
| | H151CC | 6,71 | 2 | H | H |
| | H151CS | 7,5 | 2 | M | H |
| | H181CC | 7,5 | 2 | H | H |
| | H181CS | 9,16 | 2 | M | H |
| | H201CC | 9,16 | 2 | H | H |
| | H201CS | 9,88 | 2 | M | H |
| | H221CC | 9,88 | 2 | H | H |
| | H221CS | 10,61 | 2 | M | H |
| | H251CC | 10,61 | 2 | H | H |
| | H251CS | 11,64 | 2 | M | H |
| | H281CC | 11,64 | 2 | H | H |
| H281SB | 13,23 | 2 | M | H | |
| H281CS | 13,23 | 2 | M | H | |
| H2 | H290CS | 14,74 | 2 | M | H |
| | H300CC | 14,74 | 2 | H | H |
| | H300CS | 15,94 | 2 | M | H |
| | H350CC | 15,94 | 2 | H | H |
| | H350SB | 17,53 | 2 | L | H |
| | H380CC | 17,53 | 2 | H | H |
| | H380SB | 19,53 | 2 | L | H |
| | H390CS | 19,53 | 2 | M | H |
| | H392CS | 23,31 | 2 | L | H |
| H32 | H403CC | 19,98 | 2 | H | H |
| | H403CS | 22,83 | 2 | M | H |
| | H503CC | 22,83 | 2 | H | H |
| | H503CS | 26,44 | 2 | M | H |
| | H743CC | 26,44 | 2 | H | H |
| H35 | H401CS | 19,29 | 4 | M | H |
| | H451CC | 19,29 | 4 | H | H |
| | H451CS | 23,13 | 4 | M | H |
| | H551CC | 23,13 | 4 | H | H |
| | H551CS | 27,33 | 4 | M | H |
| | H701CC | 27,33 | 4 | H | H |
| | H701CS | 31,88 | 4 | M | H |
| | H751CC | 31,88 | 4 | H | H |
| | H751CS | 38,06 | 4 | M | H |
| | H1002CC | 38,06 | 4 | H | H |
| | H801CS | 43,73 | 4 | M | H |
| H1003CC | 43,73 | 4 | H | H | |
| H41 | H851CS | 42,81 | 4 | M | H |
| | H1201CC | 42,81 | 4 | H | H |
| | H1001CS | 48,82 | 4 | M | H |
| | H1501CC | 48,82 | 4 | H | H |
| | H1501CS | 56,87 | 4 | M | H |
| | H2001CC | 56,87 | 4 | H | H |
| | H1601CS | 63,76 | 4 | M | H |
| H2201CC | 63,76 | 4 | H | H | |

| Serie Range Серия Serie | Modello Model Модель Typ | Vol. Spost. Displacement Об. произв-ть Fördervolumen | Cilindri Cylinders Кол-во цил Zylinder | Campo d'applicazione Application range Область применения Einsatzbereich | |
|----------------------------------|-----------------------------------|---|---|---|-------|
| | | | | R404A / R507 R407F / R407A R407C* | R134a |
| | | 50 Hz [m³/h] | | | |
| H5 | H2000CS | 75,83 | 4 | M | H |
| | H2500CC | 75,83 | 4 | H | H |
| | H2500CS | 85,01 | 4 | M | H |
| | H3000CC | 85,01 | 4 | H | H |
| | H2700CS | 92,25 | 4 | M | H |
| | H3200CC | 92,25 | 4 | H | H |
| | H2900CS | 102,35 | 4 | M | H |
| | H3400CC | 102,35 | 4 | H | H |
| H6 | H3000CS | 113,74 | 6 | M | H |
| | H3500CC | 113,74 | 6 | H | H |
| | H3500CS | 127,52 | 6 | M | H |
| | H4000CC | 127,52 | 6 | H | H |
| | H4000CS | 138,37 | 6 | M | H |
| | H4500CC | 138,37 | 6 | H | H |
| | H4500CS | 153,52 | 6 | M | H |
| H5000CC | 153,52 | 6 | H | H | |
| H7 | H5000CS | 164,30 | 8 | M | H |
| | H5500CC | 164,30 | 8 | H | H |
| | H5500CS | 184,19 | 8 | M | H |
| | H6000CC | 184,19 | 8 | H | H |
| | H6000CS | 199,86 | 8 | M | H |
| | H7500CC | 199,86 | 8 | H | H |
| | H7501CS | 221,75 | 8 | M | H |
| | H8001CC | 221,75 | 8 | H | H |
| | H8000CS | 244,78 | 8 | M | H |
| | H9000CC | 244,78 | 8 | H | H |

H Alta temperatura di evaporazione fino a +5 °C/+10 °C

M Media temperatura di evaporazione fino a -5 °C

L Bassa temperatura di evaporazione fino a -20 °C

H High evaporating temperature up to +5 °C/+10 °C

M Medium evaporating temperature up to -5 °C

L Low evaporating temperature up to -20 °C

H Высокотемп-ный режим кипения от +5 °C/+10 °C

M Среднетемп-ный режим кипения от -5 °C

L Низкотемп-ный режим кипения от -20 °C

H Hohe Verdampfungstemperatur bis zu +5 °C/+10 °C

M Mittlere Verdampfungstemperatur bis -5 °C

L Niedrige Verdampfungstemperatur bis -20 °C

* Solo per modelli "CC" / "CC" models only / Только модели "CC" / Nur "CC" Modelle

| Serie Range Серия Serie | Modello Model Модель Typ | Carica olio Oil charge Запр.маслом Ölfüllung | Aspirazione Suction Всасывание Saugventil | Scarico Discharge Нагнетание Druckventil | Peso netto Net weight Вес нетто Nettogewicht |
|----------------------------------|-----------------------------------|---|--|---|---|
| | | [kg] | SL [mm] | DL [mm] | [kg] |
| H11 | H51CS | 1,0 | 12s | 12s | 35 |
| | H80CC | 1,0 | 12s | 12s | 36 |
| | H80CS | 1,0 | 16s | 12s | 36 |
| | H101CC | 1,0 | 16s | 12s | 37 |
| | H101CS | 1,0 | 16s | 12s | 37 |
| | H151CC | 1,0 | 16s | 12s | 38 |
| | H151CS | 1,0 | 16s | 12s | 38 |
| | H181CC | 1,0 | 16s | 12s | 39 |
| | H181CS | 1,0 | 16s | 12s | 39 |
| | H201CC | 1,0 | 16s | 12s | 40 |
| | H201CS | 1,0 | 18s | 16s | 40 |
| | H221CC | 1,0 | 18s | 16s | 41 |
| | H221CS | 1,0 | 18s | 16s | 41 |
| | H251CC | 1,0 | 18s | 16s | 41 |
| | H251CS | 1,0 | 18s | 16s | 41 |
| | H281CC | 1,0 | 18s | 16s | 43 |
| H281SB | 1,0 | 18s | 16s | 44 | |
| H281CS | 1,0 | 18s | 16s | 44 | |
| H2 | H290CS | 1,4 | 22s | 16s | 54 |
| | H300CC | 1,4 | 22s | 16s | 54 |
| | H300CS | 1,4 | 28s | 16s | 54 |
| | H350CC | 1,4 | 28s | 16s | 54 |
| | H350SB | 1,4 | 28s | 16s | 54 |
| | H380CC | 1,4 | 28s | 16s | 56 |
| | H380SB | 1,4 | 28s | 16s | 56 |
| | H390CS | 1,4 | 28s | 16s | 56 |
| | H392CS | 1,4 | 28s | 16s | 56 |
| H32 | H403CC | 2,0 | 28s | 16s | 75 |
| | H403CS | 2,0 | 28s | 16s | 76 |
| | H503CC | 2,0 | 28s | 16s | 79 |
| | H503CS | 2,0 | 35s | 16s | 80 |
| | H743CC | 2,0 | 35s | 16s | 81 |
| H35 | H401CS | 2,0 | 22s | 18s | 89 |
| | H451CC | 2,0 | 22s | 18s | 91 |
| | H451CS | 2,0 | 28s | 18s | 89 |
| | H551CC | 2,0 | 28s | 18s | 91 |
| | H551CS | 2,0 | 28s | 22s | 91 |
| | H701CC | 2,0 | 28s | 22s | 91 |
| | H701CS | 2,0 | 28s | 22s | 91 |
| | H751CC | 2,0 | 28s | 22s | 91 |
| | H751CS | 2,0 | 35s | 22s | 91 |
| | H1002CC | 2,0 | 35s | 22s | 99 |
| H801CS | 2,0 | 35s | 22s | 91 | |
| H1003CC | 2,0 | 35s | 22s | 99 | |
| H41 | H851CS | 2,5 | 35s | 28s | 125 |
| | H1201CC | 2,5 | 35s | 28s | 130 |
| | H1001CS | 2,5 | 35s | 28s | 127 |
| | H1501CC | 2,5 | 42s | 28s | 131 |
| | H1501CS | 2,5 | 35s | 28s | 127 |
| | H2001CC | 2,5 | 42s | 28s | 131 |
| | H1601CS | 2,5 | 42s | 28s | 134 |
| H2201CC | 2,5 | 42s | 28s | 136 | |

| Serie Range Серия Serie | Modello Model Модель Typ | Carica olio Oil charge Запр.маслом Ölfüllung | Aspirazione Suction Всасывание Saugventil | Scarico Discharge Нагнетание Druckventil | Peso netto Net weight Вес нетто Nettogewicht |
|----------------------------------|-----------------------------------|---|--|---|---|
| | | [kg] | SL [mm] | DL [mm] | [kg] |
| H5 | H2000CS | 3,5 | 42s | 28s | 190 |
| | H2500CC | 3,5 | 54s | 28s | 185 |
| | H2500CS | 3,5 | 54s | 28s | 185 |
| | H3000CC | 3,5 | 54s | 28s | 199 |
| | H2700CS | 3,5 | 54s | 35s | 200 |
| | H3200CC | 3,5 | 54s | 35s | 205 |
| | H2900CS | 3,5 | 54s | 35s | 205 |
| | H3400CC | 3,5 | 54s | 35s | 205 |
| | H6 | H3000CS | 3,5 | 54s | 35s |
| H3500CC | | 3,5 | 54s | 35s | 246 |
| H3500CS | | 3,5 | 54s | 35s | 233 |
| H4000CC | | 3,5 | 54s | 35s | 249 |
| H4000CS | | 3,5 | 54s | 42s | 244 |
| H4500CC | | 3,5 | 54s | 42s | 252 |
| H4500CS | | 3,5 | 54s | 42s | 253 |
| H5000CC | 3,5 | 54s | 42s | 253 | |
| H7 | H5000CS | 8,5 | 66s | 42s | 350 |
| | H5500CC | 8,5 | 66s | 42s | 355 |
| | H5500CS | 8,5 | 80s | 42s | 350 |
| | H6000CC | 8,5 | 80s | 42s | 355 |
| | H6000CS | 8,5 | 80s | 42s | 355 |
| | H7500CC | 8,5 | 80s | 42s | 357 |
| | H7501CS | 8,5 | 80s | 54s | 355 |
| | H8001CC | 8,5 | 80s | 54s | 357 |
| | H8000CS | 8,5 | 80s | 54s | 360 |
| | H9000CC | 8,5 | 80s | 54s | 366 |

| Serie Range Серия Serie | Modello Model Модель Typ | Vol. Spost. Displacement Об.произв-ть Fördervolumen | | Max corrente di funzionamento / Max operating current Макс. рабочий ток / Max Betriebsstrom V / ph / Hz - В / ф / Гц [A] | | | | | | | | | | | | | Max potenza ass. Max abs. power Макс. потребляемая мощность Max Leistungsaufnahme | |
|----------------------------------|-----------------------------------|--|-----------------|---|------------------|--------------|---|---|-----------------------|-----------------------|----------------------|---|-------------------------|-------------------------|-------------------------|--------------------------------------|--|---------------|
| | | 50 Hz [m³/h] | 60 Hz [m³/h] | 220-240 / 1 / 50 | 208-230 / 1 / 60 | 115 / 1 / 60 | 220-240 / 3 / 50 265-290 / 3 / 60 Δ | 380-420 / 3 / 50 440-480 / 3 / 60 Y | 208-230 / 3 / 60 Δ | 360-400 / 3 / 60 Y | 200 / 3 / 50-60 Δ | 380-420 / 3 / 50 440-480 / 3 / 60 PWS | 220-240 / 3 / 50 PWS | 208-230 / 3 / 60 PWS | 360-400 / 3 / 60 PWS | 475-525 / 3 / 50 570-630 / 3 / 60 | 50 Hz [kW] | 60 Hz [kW] |
| | | | | | | | | | | | | | | | | | | |
| H11 | H51CS | 4,42 | 5,30 | 6,0 | 7,2 | 14,4 | 3,1 | 1,8 | 3,7 | 2,2 | 4,3 | - | - | - | - | 1,4 | 1,0 | 1,2 |
| | H80CC | 4,42 | 5,30 | 7,5 | 9,0 | 21,5 | 4,2 | 2,4 | 5,0 | 2,9 | 5,7 | - | - | - | - | 1,9 | 1,3 | 1,6 |
| | H80CS | 5,37 | 6,44 | 7,5 | 9,0 | 21,5 | 4,2 | 2,4 | 5,0 | 2,9 | 5,7 | - | - | - | - | 1,9 | 1,3 | 1,6 |
| | H101CC | 5,37 | 6,44 | 9,0 | 10,8 | 24,0 | 5,0 | 2,9 | 6,0 | 3,5 | 6,9 | - | - | - | - | 2,3 | 1,6 | 1,9 |
| | H101CS | 6,71 | 8,05 | 9,0 | 10,8 | 24,0 | 5,0 | 2,9 | 6,0 | 3,5 | 6,9 | - | - | - | - | 2,3 | 1,6 | 1,9 |
| | H151CC | 6,71 | 8,05 | 13,5 | 16,2 | 32,5 | 5,9 | 3,4 | 7,1 | 4,1 | 8,1 | - | - | - | - | 2,7 | 2,0 | 2,4 |
| | H151CS | 7,5 | 9,00 | 13,5 | 16,2 | 32,5 | 5,9 | 3,4 | 7,1 | 4,1 | 8,1 | - | - | - | - | 2,7 | 2,0 | 2,4 |
| | H181CC | 7,5 | 9,00 | 15,0 | 18,0 | - | 7,6 | 4,4 | 9,1 | 5,3 | 10,5 | - | - | - | - | 3,5 | 2,6 | 3,2 |
| | H181CS | 9,16 | 10,99 | 15,0 | 18,0 | - | 7,6 | 4,4 | 9,1 | 5,3 | 10,5 | - | - | - | - | 3,5 | 2,6 | 3,2 |
| | H201CC | 9,16 | 10,99 | 15,0 | 18,0 | - | 10,4 | 6,0 | 12,5 | 7,2 | 14,4 | - | - | - | - | 4,8 | 3,6 | 4,4 |
| | H201CS | 9,88 | 11,86 | 15,0 | 18,0 | - | 7,6 | 4,4 | 9,1 | 5,3 | 10,5 | - | - | - | - | 3,5 | 2,6 | 3,2 |
| | H221CC | 9,88 | 11,86 | 19,0 | 23,0 | - | 10,4 | 6,0 | 12,5 | 7,2 | 14,4 | - | - | - | - | 4,8 | 3,6 | 4,4 |
| | H221CS | 10,61 | 12,73 | 19,0 | 23,0 | - | 10,4 | 6,0 | 12,5 | 7,2 | 14,4 | - | - | - | - | 4,8 | 3,6 | 4,4 |
| | H251CC | 10,61 | 12,73 | 19,0 | 23,0 | - | 12,6 | 7,3 | 15,1 | 8,7 | 17,4 | - | - | - | - | 5,8 | 4,2 | 5,1 |
| | H251CS | 11,64 | 13,97 | 19,0 | 23,0 | - | 10,4 | 6,0 | 12,5 | 7,2 | 14,4 | - | - | - | - | 4,8 | 3,6 | 4,4 |
| H281CC | 11,64 | 13,97 | 21,0 | 25,0 | - | 12,6 | 7,3 | 15,1 | 8,7 | 17,4 | - | - | - | - | 5,8 | 4,2 | 5,1 | |
| H281SB | 13,23 | 15,88 | - | - | - | 10,4 | 6,0 | 12,5 | 7,2 | 14,4 | - | - | - | - | 4,8 | 3,6 | 4,4 | |
| H281CS | 13,23 | 15,88 | - | - | - | 12,6 | 7,3 | 15,1 | 8,7 | 17,4 | - | - | - | - | 5,8 | 4,2 | 5,1 | |
| H2 | H290CS | 14,74 | 17,69 | - | - | - | 12,9 | 7,5 | 15,5 | 8,9 | 17,8 | - | - | - | - | 6,0 | 4,4 | 5,3 |
| | H300CC | 14,74 | 17,69 | - | - | - | 16,2 | 9,4 | 19,4 | 11,2 | 22,5 | - | - | - | - | 7,5 | 5,5 | 6,6 |
| | H300CS | 15,94 | 19,13 | - | - | - | 12,9 | 7,5 | 15,5 | 8,9 | 17,8 | - | - | - | - | 6,0 | 4,4 | 5,3 |
| | H350CC | 15,94 | 19,13 | - | - | - | 16,2 | 9,4 | 19,4 | 11,2 | 22,5 | - | - | - | - | 7,5 | 5,5 | 6,6 |
| | H350SB | 17,53 | 21,04 | - | - | - | 12,9 | 7,5 | 15,5 | 8,9 | 17,8 | - | - | - | - | 6,0 | 4,4 | 5,3 |
| | H380CC | 17,53 | 21,04 | - | - | - | 16,2 | 9,4 | 19,4 | 11,2 | 22,5 | - | - | - | - | 7,5 | 5,5 | 6,6 |
| | H380SB | 19,53 | 23,43 | - | - | - | 12,9 | 7,5 | 15,5 | 8,9 | 17,8 | - | - | - | - | 6,0 | 4,4 | 5,3 |
| | H390CS | 19,53 | 23,43 | - | - | - | 16,2 | 9,4 | 19,4 | 11,2 | 22,5 | - | - | - | - | 7,5 | 5,5 | 6,6 |
| H392CS | 23,31 | 27,97 | - | - | - | 19,5 | 11,3 | 23,5 | 13,5 | 27,0 | - | - | - | - | 9,0 | 4,6 | 5,5 | |
| H32 | H403CC | 19,98 | 23,98 | - | - | - | 18,1 | 10,5 | 21,5 | 12,6 | 25,0 | 10,5 | - | - | - | 8,4 | 6,2 | 7,4 |
| | H403CS | 22,83 | 27,40 | - | - | - | 18,1 | 10,5 | 21,5 | 12,6 | 25,0 | 10,5 | - | - | - | 8,4 | 6,2 | 7,4 |
| | H503CC | 22,83 | 27,40 | - | - | - | 22,5 | 12,9 | 27,0 | 15,5 | 31,0 | 12,9 | - | - | - | 10,3 | 7,8 | 9,3 |
| | H503CS | 26,44 | 31,73 | - | - | - | 22,5 | 12,9 | 27,0 | 15,5 | 31,0 | 12,9 | - | - | - | 10,3 | 7,8 | 9,3 |
| H743CC | 26,44 | 31,73 | - | - | - | 29,0 | 16,7 | 34,5 | 20,0 | 40,0 | 16,7 | - | - | - | 13,4 | 10,0 | 12,0 | |
| H35 | H401CS | 19,29 | 23,14 | - | - | - | 18,1 | 10,5 | 21,5 | 12,6 | 25,0 | 10,5 | - | - | - | 8,4 | 6,2 | 7,4 |
| | H451CC | 19,29 | 23,14 | - | - | - | 25,0 | 14,5 | 30,0 | 17,4 | 34,5 | 14,5 | - | - | - | 11,6 | 8,7 | 10,5 |
| | H451CS | 23,13 | 27,76 | - | - | - | 18,1 | 10,5 | 21,5 | 12,6 | 25,0 | 10,5 | - | - | - | 8,4 | 6,2 | 7,4 |
| | H551CC | 23,13 | 27,76 | - | - | - | 25,0 | 14,5 | 30,0 | 17,4 | 34,5 | 14,5 | - | - | - | 11,6 | 8,7 | 10,5 |
| | H551CS | 27,33 | 32,80 | - | - | - | 25,0 | 14,5 | 30,0 | 17,4 | 34,5 | 14,5 | - | - | - | 11,6 | 8,7 | 10,5 |
| | H701CC | 27,33 | 32,80 | - | - | - | 34,0 | 19,5 | 41,0 | 23,5 | 47,0 | 19,5 | - | - | - | 15,6 | 11,4 | 13,7 |
| | H701CS | 31,88 | 38,26 | - | - | - | 25,0 | 14,5 | 30,0 | 17,4 | 34,5 | 14,5 | - | - | - | 11,6 | 8,7 | 10,5 |
| | H751CC | 31,88 | 38,26 | - | - | - | 34,0 | 19,5 | 41,0 | 23,5 | 47,0 | 19,5 | - | - | - | 15,6 | 11,4 | 13,7 |
| | H751CS | 38,06 | 45,67 | - | - | - | 34,0 | 19,5 | 41,0 | 23,5 | 47,0 | 19,5 | - | - | - | 15,6 | 11,4 | 13,7 |
| | H1002CC | 38,06 | 45,67 | - | - | - | 40,0 | 23,0 | 48,0 | 27,5 | 55 | 23,0 | - | - | - | 18,4 | 13,8 | 16,6 |
| | H801CS | 43,73 | 52,48 | - | - | - | 34,0 | 19,5 | 41,0 | 23,5 | 47,0 | 19,5 | - | - | - | 15,6 | 11,4 | 13,7 |
| H1003CC | 43,73 | 52,48 | - | - | - | 40,0 | 23,0 | 48,0 | 27,5 | 55 | 23,0 | - | - | - | 18,4 | 13,8 | 16,6 | |

Versione del motore standard. Per condizioni di funzionamento non indicate contattare il nostro servizio tecnico.

Standard motor version. For operating conditions not indicated please contact our technical service.

Стандартная версия эл. двигателя. Для режимов, не входящих в область применения, обращайтесь в технический отдел Dorin SpA

Standard Motor Version. Für Betriebsbedingungen, die hier nicht aufgeführt sind wenden Sie sich bitte an unseren Technischen Dienst.

| Serie Range Серия Serie | Modello Model Модель Typ | Vol. Spost. Displacement Об.произв-ть Fördervolumen | | Max corrente di funzionamento / Max operating current Макс. рабочий ток / Max Betriebsstrom V / ph / Hz [A] | | | | | | | | | | | | | | Max potenza ass. Max abs. power Макс.потребл-ая мощность Max Leistungsaufnahme | |
|----------------------------------|-----------------------------------|--|-----------------|--|------------------|--------------|---|---|-----------------------|-----------------------|----------------------|---|-------------------------|-------------------------|-------------------------|--------------------------------------|---------------|---|------|
| | | 50 Hz [m³/h] | 60 Hz [m³/h] | 220-240 / 1 / 50 | 208-230 / 1 / 60 | 115 / 1 / 60 | 220-240 / 3 / 50 265-290 / 3 / 60 Δ | 380-420 / 3 / 50 440-480 / 3 / 60 Y | 208-230 / 3 / 60 Δ | 360-400 / 3 / 60 Y | 200 / 3 / 50-60 Δ | 380-420 / 3 / 50 440-480 / 3 / 60 PWS | 220-240 / 3 / 50 PWS | 208-230 / 3 / 60 PWS | 360-400 / 3 / 60 PWS | 475-525 / 3 / 50 570-630 / 3 / 60 | 50 Hz [kW] | 60 Hz [kW] | |
| | | H41 | H851CS | 42,81 | 51,38 | - | - | - | 34,5 | 20,0 | 41,5 | 24,0 | - | 20,0 | 34,5 | 41,5 | 24,0 | 16,0 | 11,7 |
| H1201CC | 42,81 | | 51,38 | - | - | - | 48,5 | 28,0 | 58 | 33,5 | - | 28,0 | 48,5 | 58 | 33,5 | 22,5 | 16,8 | 20,2 | |
| H1001CS | 48,82 | | 58,58 | - | - | - | 41,5 | 24,0 | 50 | 29,0 | - | 24,0 | 41,5 | 50 | 29,0 | 19,2 | 14,5 | 17,4 | |
| H1501CC | 48,82 | | 58,58 | - | - | - | 59 | 34,0 | 71 | 41,0 | - | 34,0 | 59 | 71 | 41,0 | 27,0 | 19,5 | 23,4 | |
| H1501CS | 56,87 | | 68,25 | - | - | - | 48,5 | 28,0 | 58 | 33,5 | - | 28,0 | 48,5 | 58 | 33,5 | 22,5 | 16,8 | 20,2 | |
| H2001CC | 56,87 | | 68,25 | - | - | - | 66 | 38,0 | 79 | 45,5 | - | 38,0 | 66 | 79 | 45,5 | 30,5 | 22,7 | 27,2 | |
| H1601CS | 63,76 | | 76,51 | - | - | - | 59 | 34,0 | 71 | 41,0 | - | 34,0 | 59 | 71 | 41,0 | 27,0 | 19,5 | 23,4 | |
| H2201CC | 63,76 | | 76,51 | - | - | - | 78 | 45,0 | 93 | 54 | - | 45,0 | 78 | 93 | 54 | 36,0 | 26,6 | 31,9 | |
| H5 | H2000CS | 75,83 | 91,00 | - | - | - | 66 | 38,0 | 79 | 45,5 | - | 38,0 | 66 | 79 | 45,5 | 30,5 | 22,7 | 27,2 | |
| | H2500CC | 75,83 | 91,00 | - | - | - | 83 | 48,0 | 100 | 58 | - | 48,0 | 83 | 100 | 58 | 38,5 | 28,5 | 34,2 | |
| | H2500CS | 85,01 | 102,02 | - | - | - | 78 | 45,0 | 93 | 54 | - | 45,0 | 78 | 93 | 54 | 36,0 | 26,6 | 31,9 | |
| | H3000CC | 85,01 | 102,02 | - | - | - | 97 | 56 | 116 | 67 | - | 56 | 97 | 116 | 67 | 45,0 | 33,4 | 40,1 | |
| | H2700CS | 92,25 | 110,69 | - | - | - | 83 | 48,0 | 100 | 58 | - | 48,0 | 83 | 100 | 58 | 38,5 | 28,5 | 34,2 | |
| | H3200CC | 92,25 | 110,69 | - | - | - | 104 | 60 | 125 | 72 | - | 60 | 104 | 125 | 72 | 48,0 | 35,2 | 42,3 | |
| | H2900CS | 102,35 | 122,82 | - | - | - | 97 | 56 | 116 | 67 | - | 56 | 97 | 116 | 67 | 45,0 | 33,4 | 40,1 | |
| | H3400CC | 102,35 | 122,82 | - | - | - | 104 | 60 | 125 | 72 | - | 60 | 104 | 125 | 72 | 48,0 | 35,2 | 42,3 | |
| H6 | H3000CS | 113,74 | 136,49 | - | - | - | 104 | 60 | 125 | 72 | - | 60 | 104 | 125 | 72 | 48,0 | 35,9 | 43,1 | |
| | H3500CC | 113,74 | 136,49 | - | - | - | 114 | 66 | 137 | 79 | - | 66 | 114 | 137 | 79 | 53 | 39,3 | 47,1 | |
| | H3500CS | 127,52 | 153,02 | - | - | - | 104 | 60 | 125 | 72 | - | 60 | 104 | 125 | 72 | 48,0 | 35,9 | 43,1 | |
| | H4000CC | 127,52 | 153,02 | - | - | - | 130 | 75 | 156 | 90 | - | 75 | 130 | 156 | 90 | 60 | 45,5 | 54,6 | |
| | H4000CS | 138,37 | 166,04 | - | - | - | 114 | 66 | 137 | 79 | - | 66 | 114 | 137 | 79 | 53 | 39,3 | 47,1 | |
| | H4500CC | 138,37 | 166,04 | - | - | - | 145 | 84 | 175 | 101 | - | 84 | 145 | 175 | 101 | 67 | 51,1 | 61,4 | |
| | H4500CS | 153,52 | 184,22 | - | - | - | 130 | 75 | 156 | 90 | - | 75 | 130 | 156 | 90 | 60 | 45,5 | 54,6 | |
| | H5000CC | 153,52 | 184,22 | - | - | - | 161 | 93 | 193 | 112 | - | 93 | 161 | 193 | 112 | 74 | 56,6 | 67,9 | |
| H7 | H5000CS | 164,30 | 197,16 | - | - | - | 156 | 90 | 187 | 108 | - | 90 | 156 | 187 | 108 | 72 | 52,9 | 63,4 | |
| | H5500CC | 164,30 | 197,16 | - | - | - | 182 | 105 | 218 | 126 | - | 105 | 182 | 218 | 126 | 84 | 60,2 | 72,2 | |
| | H5500CS | 184,19 | 221,03 | - | - | - | 182 | 105 | 218 | 126 | - | 105 | 182 | 218 | 126 | 84 | 60,2 | 72,2 | |
| | H6000CC | 184,19 | 221,03 | - | - | - | 208 | 120 | 249 | 144 | - | 120 | 208 | 249 | 144 | 96 | 69,1 | 82,9 | |
| | H6000CS | 199,86 | 239,83 | - | - | - | 182 | 105 | 218 | 126 | - | 105 | 182 | 218 | 126 | 84 | 60,2 | 72,2 | |
| | H7500CC | 199,86 | 239,83 | - | - | - | 256 | 148 | 308 | 178 | - | 148 | 256 | 308 | 178 | 118 | 85,8 | 103,0 | |
| | H7501CS | 221,75 | 266,10 | - | - | - | 208 | 120 | 249 | 144 | - | 120 | 208 | 249 | 144 | 96 | 69,1 | 82,9 | |
| | H8001CC | 221,75 | 266,10 | - | - | - | 256 | 148 | 308 | 178 | - | 148 | 256 | 308 | 178 | 118 | 85,8 | 103,0 | |
| | H8000CS | 244,78 | 293,74 | - | - | - | 208 | 120 | 249 | 144 | - | 120 | 208 | 249 | 144 | 96 | 69,1 | 82,9 | |
| | H9000CC | 244,78 | 293,74 | - | - | - | 256 | 148 | 308 | 178 | - | 148 | 256 | 308 | 178 | 118 | 85,8 | 103,0 | |


Versione del motore standard. Per condizioni di funzionamento non indicate contattare il nostro servizio tecnico.

Standard motor version. For operating conditions not indicated please contact our technical service.

Стандартная версия эл. двигателя. Для режимов, не входящих в область применения, обращайтесь в технический отдел Dorin SpA

Standard Motor Version. Für Betriebsbedingungen, die hier nicht aufgeführt sind wenden Sie sich bitte an unseren Technischen Dienst.


| Serie Range Серия Serie | Modello Model Модель Тип | Vol. Spost. Displacement Об.произв-ть Fördervolumen | | Corrente a rotore bloccato / Locked rotor current / Пусковой ток (с заблок.ротором) / Anlaufstrom V / ph / Hz [A] | | | | | | | | | | | | |
|----------------------------------|-----------------------------------|--|------------------------------|---|------------------|--------------|---|---|-----------------------|-----------------------|----------------------|---|---------------------------|---------------------------|---------------------------|--------------------------------------|
| | | 50 Hz [m ³ /h] | 60 Hz [m ³ /h] | 220-240 / 1 / 50 | 208-230 / 1 / 60 | 115 / 1 / 60 | 220-240 / 3 / 50 265-290 / 3 / 60 Δ | 380-420 / 3 / 50 440-480 / 3 / 60 Y | 208-230 / 3 / 60 Δ | 360-400 / 3 / 60 Y | 200 / 3 / 50-60 Δ | 380-420 / 3 / 50 440-480 / 3 / 60 PWS * | 220-240 / 3 / 50 PWS * | 208-230 / 3 / 60 PWS * | 360-400 / 3 / 60 PWS * | 475-525 / 3 / 50 570-630 / 3 / 60 |
| | | | | | | | | | | | | | | | | |
| H11 | H51CS | 4,42 | 5,30 | 30,0 | 36,0 | 72 | 15,6 | 9,0 | 18,7 | 10,8 | 18,7 | - | - | - | - | 7,2 |
| | H80CC | 4,42 | 5,30 | 31,0 | 37,0 | 106 | 19,2 | 11,1 | 23,0 | 13,3 | 23,0 | - | - | - | - | 8,9 |
| | H80CS | 5,37 | 6,44 | 31,0 | 37,0 | 106 | 19,2 | 11,1 | 23,0 | 13,3 | 23,0 | - | - | - | - | 8,9 |
| | H101CC | 5,37 | 6,44 | 47,0 | 56 | 149 | 24,0 | 13,8 | 29,0 | 16,5 | 29,0 | - | - | - | - | 11,0 |
| | H101CS | 6,71 | 8,05 | 47,0 | 56 | 149 | 24,0 | 13,8 | 29,0 | 16,5 | 29,0 | - | - | - | - | 11,0 |
| | H151CC | 6,71 | 8,05 | 73 | 88 | 168 | 27,0 | 15,5 | 32,5 | 18,7 | 32,5 | - | - | - | - | 12,4 |
| | H151CS | 7,5 | 9,00 | 73 | 88 | 168 | 27,0 | 15,5 | 32,5 | 18,7 | 32,5 | - | - | - | - | 12,4 |
| | H181CC | 7,5 | 9,00 | 81 | 97 | - | 35,0 | 20,0 | 41,5 | 24,0 | 41,5 | - | - | - | - | 16,0 |
| | H181CS | 9,16 | 10,99 | 81 | 97 | - | 35,0 | 20,0 | 41,5 | 24,0 | 41,5 | - | - | - | - | 16,0 |
| | H201CC | 9,16 | 10,99 | 81 | 97 | - | 42,0 | 24,5 | 51 | 29,5 | 51 | - | - | - | - | 19,6 |
| | H201CS | 9,88 | 11,86 | 81 | 97 | - | 35,0 | 20,0 | 41,5 | 24,0 | 41,5 | - | - | - | - | 16,0 |
| | H221CC | 9,88 | 11,86 | 91 | 109 | - | 42,0 | 24,5 | 51 | 29,5 | 51 | - | - | - | - | 19,6 |
| | H221CS | 10,61 | 12,73 | 91 | 109 | - | 42,0 | 24,5 | 51 | 29,5 | 51 | - | - | - | - | 19,6 |
| | H251CC | 10,61 | 12,73 | 91 | 109 | - | 55 | 32,0 | 66 | 38,5 | 66 | - | - | - | - | 25,5 |
| H251CS | 11,64 | 13,97 | 91 | 109 | - | 42,0 | 24,5 | 51 | 29,5 | 51 | - | - | - | - | 19,6 | |
| H281CC | 11,64 | 13,97 | 91 | 109 | - | 55 | 32,0 | 66 | 38,5 | 66 | - | - | - | - | 25,5 | |
| H281SB | 13,23 | 15,88 | - | - | - | 42,0 | 24,5 | 51 | 29,5 | 51 | - | - | - | - | 19,6 | |
| H281CS | 13,23 | 15,88 | - | - | - | 55 | 32,0 | 66 | 38,5 | 66 | - | - | - | - | 25,5 | |
| H2 | H290CS | 14,74 | 17,69 | - | - | - | 59 | 34,0 | 71 | 41,0 | 71 | - | - | - | - | 27,0 |
| | H300CC | 14,74 | 17,69 | - | - | - | 76 | 43,5 | 91 | 52 | 91 | - | - | - | - | 35,0 |
| | H300CS | 15,94 | 19,13 | - | - | - | 59 | 34,0 | 71 | 41,0 | 71 | - | - | - | - | 27,0 |
| | H350CC | 15,94 | 19,13 | - | - | - | 76 | 43,5 | 91 | 52 | 91 | - | - | - | - | 35,0 |
| | H350SB | 17,53 | 21,04 | - | - | - | 59 | 34,0 | 71 | 41,0 | 71 | - | - | - | - | 27,0 |
| | H380CC | 17,53 | 21,04 | - | - | - | 76 | 43,5 | 91 | 52 | 91 | - | - | - | - | 35,0 |
| | H380SB | 19,53 | 23,43 | - | - | - | 59 | 34,0 | 71 | 41,0 | 71 | - | - | - | - | 27,0 |
| | H390CS | 19,53 | 23,43 | - | - | - | 76 | 43,5 | 91 | 52 | 91 | - | - | - | - | 35,0 |
| H392CS | 23,31 | 27,97 | - | - | - | 93 | 54 | 112 | 65 | 112 | - | - | - | - | 43,0 | |
| H32 | H403CC | 19,98 | 23,98 | - | - | - | 92 | 53 | 110 | 64 | 110 | 53 | - | - | - | 42,5 |
| | H403CS | 22,83 | 27,40 | - | - | - | 92 | 53 | 110 | 64 | 110 | 53 | - | - | - | 42,5 |
| | H503CC | 22,83 | 27,40 | - | - | - | 109 | 63 | 131 | 76 | 131 | 63 | - | - | - | 50 |
| | H503CS | 26,44 | 31,73 | - | - | - | 109 | 63 | 131 | 76 | 131 | 63 | - | - | - | 50 |
| | H743CC | 26,44 | 31,73 | - | - | - | 149 | 86 | 179 | 103 | 179 | 86 | - | - | - | 69 |
| H35 | H401CS | 19,29 | 23,14 | - | - | - | 92 | 53 | 110 | 64 | 110 | 53 | - | - | - | 42,5 |
| | H451CC | 19,29 | 23,14 | - | - | - | 109 | 63 | 131 | 76 | 131 | 63 | - | - | - | 50 |
| | H451CS | 23,13 | 27,76 | - | - | - | 92 | 53 | 110 | 64 | 110 | 53 | - | - | - | 42,5 |
| | H551CC | 23,13 | 27,76 | - | - | - | 109 | 63 | 131 | 76 | 131 | 63 | - | - | - | 50 |
| | H551CS | 27,33 | 32,80 | - | - | - | 109 | 63 | 131 | 76 | 131 | 63 | - | - | - | 50 |
| | H701CC | 27,33 | 32,80 | - | - | - | 149 | 86 | 179 | 103 | 179 | 86 | - | - | - | 69 |
| | H701CS | 31,88 | 38,26 | - | - | - | 109 | 63 | 131 | 76 | 131 | 63 | - | - | - | 50 |
| | H751CC | 31,88 | 38,26 | - | - | - | 149 | 86 | 179 | 103 | 179 | 86 | - | - | - | 69 |
| | H751CS | 38,06 | 45,67 | - | - | - | 149 | 86 | 179 | 103 | 179 | 86 | - | - | - | 69 |
| | H1002CC | 38,06 | 45,67 | - | - | - | 159 | 92 | 191 | 110 | 191 | 92 | - | - | - | 74 |
| | H801CS | 43,73 | 52,48 | - | - | - | 149 | 86 | 179 | 103 | 179 | 86 | - | - | - | 69 |
| H1003CC | 43,73 | 52,48 | - | - | - | 159 | 92 | 191 | 110 | 191 | 92 | - | - | - | 74 | |

 Versione del motore standard. Per condizioni di funzionamento non indicate contattare il nostro servizio tecnico.


* Il valore di corrente indicato si riferisce al collegamento diretto. Per ottenere il valore con collegamento PWS consultare il bollettino tecnico.

 Standard motor version. For operating conditions not indicated please contact our technical service.

* The current value indicated refers to the direct connection. For the value with PWS connection see technical bulletin.


 Стандартная версия эл. двигателя. Для режимов, не входящих в область применения, обращайтесь в технический отдел Dorin SpA.

* Значение эл. тока относится к прямому пуску (DOL). Чтобы получить значение эл. тока для подключения PWS см. Технический Бюллетень

 Standard Motor Version. Für Betriebsbedingungen, die hier nicht aufgeführt sind wenden Sie sich bitte an unseren Technischen Dienst.

* Der angegebene Wert bezieht sich auf direkten Anschluss. Um den Wert der PWS-Verbindung siehe Technical Bulletin.


| Serie Range Серия Serie | Modello Model Модель Typ | Vol. Spost. Displacement Об.произв-ть Fördervolumen | | Corrente a rotore bloccato / Locked rotor current / Пусковой ток (с заблок.ротором) / Anlaufstrom V / ph / Hz [A] | | | | | | | | | | | | |
|----------------------------------|-----------------------------------|--|------------------------------|---|------------------|--------------|---|---|-----------------------|-----------------------|----------------------|---|---------------------------|---------------------------|---------------------------|--------------------------------------|
| | | 50 Hz [m ³ /h] | 60 Hz [m ³ /h] | 220-240 / 1 / 50 | 208-230 / 1 / 60 | 115 / 1 / 60 | 220-240 / 3 / 50 265-290 / 3 / 60 Δ | 380-420 / 3 / 50 440-480 / 3 / 60 Y | 208-230 / 3 / 60 Δ | 360-400 / 3 / 60 Y | 200 / 3 / 50-60 Δ | 380-420 / 3 / 50 440-480 / 3 / 60 PWS * | 220-240 / 3 / 50 PWS * | 208-230 / 3 / 60 PWS * | 360-400 / 3 / 60 PWS * | 475-525 / 3 / 50 570-630 / 3 / 60 |
| H41 | H851CS | 42,81 | 51,38 | - | - | - | 181 | 105 | 217 | 126 | - | 105 | 181 | 217 | 126 | 84 |
| | H1201CC | 42,81 | 51,38 | - | - | - | 233 | 135 | 280 | 162 | - | 135 | 233 | 280 | 162 | 108 |
| | H1001CS | 48,82 | 58,58 | - | - | - | 188 | 109 | 226 | 130 | - | 109 | 188 | 226 | 130 | 87 |
| | H1501CC | 48,82 | 58,58 | - | - | - | 295 | 171 | 354 | 205 | - | 171 | 295 | 354 | 205 | 136 |
| | H1501CS | 56,87 | 68,25 | - | - | - | 233 | 135 | 280 | 162 | - | 135 | 233 | 280 | 162 | 108 |
| | H2001CC | 56,87 | 68,25 | - | - | - | 306 | 177 | 367 | 212 | - | 177 | 306 | 367 | 212 | 142 |
| | H1601CS | 63,76 | 76,51 | - | - | - | 295 | 171 | 354 | 205 | - | 171 | 295 | 354 | 205 | 136 |
| | H2201CC | 63,76 | 76,51 | - | - | - | 351 | 203 | 421 | 244 | - | 203 | 351 | 421 | 244 | 162 |
| H5 | H2000CS | 75,83 | 91,00 | - | - | - | 306 | 177 | 367 | 212 | - | 177 | 306 | 367 | 212 | 142 |
| | H2500CC | 75,83 | 91,00 | - | - | - | 351 | 203 | 421 | 244 | - | 203 | 351 | 421 | 244 | 162 |
| | H2500CS | 85,01 | 102,02 | - | - | - | 351 | 203 | 421 | 244 | - | 203 | 351 | 421 | 244 | 162 |
| | H3000CC | 85,01 | 102,02 | - | - | - | 424 | 245 | 509 | 294 | - | 245 | 424 | 509 | 294 | 196 |
| | H2700CS | 92,25 | 110,69 | - | - | - | 351 | 203 | 421 | 244 | - | 203 | 351 | 421 | 244 | 162 |
| | H3200CC | 92,25 | 110,69 | - | - | - | 450 | 260 | 540 | 312 | - | 260 | 450 | 540 | 312 | 208 |
| | H2900CS | 102,35 | 122,82 | - | - | - | 424 | 245 | 509 | 294 | - | 245 | 424 | 509 | 294 | 196 |
| | H3400CC | 102,35 | 122,82 | - | - | - | 450 | 260 | 540 | 312 | - | 260 | 450 | 540 | 312 | 208 |
| H6 | H3000CS | 113,74 | 136,49 | - | - | - | 424 | 245 | 509 | 294 | - | 245 | 424 | 509 | 294 | 196 |
| | H3500CC | 113,74 | 136,49 | - | - | - | 450 | 260 | 540 | 312 | - | 260 | 450 | 540 | 312 | 208 |
| | H3500CS | 127,52 | 153,02 | - | - | - | 424 | 245 | 509 | 294 | - | 245 | 424 | 509 | 294 | 196 |
| | H4000CC | 127,52 | 153,02 | - | - | - | 502 | 290 | 602 | 348 | - | 290 | 502 | 602 | 348 | 232 |
| | H4000CS | 138,37 | 166,04 | - | - | - | 450 | 260 | 540 | 312 | - | 260 | 450 | 540 | 312 | 208 |
| | H4500CC | 138,37 | 166,04 | - | - | - | 559 | 323 | 671 | 388 | - | 323 | 559 | 671 | 388 | 258 |
| | H4500CS | 153,52 | 184,22 | - | - | - | 502 | 290 | 602 | 348 | - | 290 | 502 | 602 | 348 | 232 |
| | H5000CC | 153,52 | 184,22 | - | - | - | 619 | 358 | 743 | 430 | - | 358 | 619 | 743 | 430 | 286 |
| H7 | H5000CS | 164,30 | 197,16 | - | - | - | 636 | 367 | 763 | 440 | - | 367 | 636 | 763 | 440 | 294 |
| | H5500CC | 164,30 | 197,16 | - | - | - | 788 | 455 | 946 | 546 | - | 455 | 788 | 946 | 546 | 364 |
| | H5500CS | 184,19 | 221,03 | - | - | - | 788 | 455 | 946 | 546 | - | 455 | 788 | 946 | 546 | 364 |
| | H6000CC | 184,19 | 221,03 | - | - | - | 942 | 544 | 1131 | 653 | - | 544 | 942 | 1131 | 653 | 435 |
| | H6000CS | 199,86 | 239,83 | - | - | - | 788 | 455 | 946 | 546 | - | 455 | 788 | 946 | 546 | 364 |
| | H7500CC | 199,86 | 239,83 | - | - | - | 1012 | 584 | 1214 | 701 | - | 584 | 1012 | 1214 | 701 | 467 |
| | H7501CS | 221,75 | 266,10 | - | - | - | 942 | 544 | 1131 | 653 | - | 544 | 942 | 1131 | 653 | 435 |
| | H8001CC | 221,75 | 266,10 | - | - | - | 1012 | 584 | 1214 | 701 | - | 584 | 1012 | 1214 | 701 | 467 |
| | H8000CS | 244,78 | 293,74 | - | - | - | 942 | 544 | 1131 | 653 | - | 544 | 942 | 1131 | 653 | 435 |
| | H9000CC | 244,78 | 293,74 | - | - | - | 1012 | 584 | 1214 | 701 | - | 584 | 1012 | 1214 | 701 | 467 |

 Versione del motore standard. Per condizioni di funzionamento non indicate contattare il nostro servizio tecnico.


* Il valore di corrente indicato si riferisce al collegamento diretto. Per ottenere il valore con collegamento PWS consultare il bollettino tecnico.

 Standard motor version. For operating conditions not indicated please contact our technical service.

* The current value indicated refers to the direct connection. For the value with PWS connecting see technical bulletin.

 Стандартная версия эл. двигателя. Для режимов, не входящих в область применения, обращайтесь в технический отдел Dorin SpA

* Значение эл. тока относится к прямому пуску (DOL). Чтобы получить значение эл. тока для подключения PWS см. Технический Бюллетень

 Standard Motor Version. Für Betriebsbedingungen, die hier nicht aufgeführt sind wenden Sie sich bitte an unseren Technischen Dienst.

* Der angegebene Wert bezieht sich auf direkten Anschluss. Um den Wert der PWS-Verbindung siehe Technical Bulletin.

| | | | | | |
|------|---|-----|---|------|---|
| MT | Protezione motore Motor protection Защита эл. двигателя Motorschutz | REL | Modulo elettronico protezione motore Motor protection electronic module Электрон. модуль защиты эл. двигателя Motorschutzmodul | ODPS | Pressostato differenziale olio elettronico Oil differential pressure switch Электрон. реле контроля смазки (PKC) Öldifferenzdruckschalter elektronisch |
| TMAX | Sensore massima temperatura mandata Max discharge temperature sensor Датчик темп-ры нагнетаемого газа Druckgasfühler | CH | Resistenza carter Crankcase heater ТЭН подогрева картера Olumpfheizung | BF | Ventilatore su testa Head fan Возд. вент-р для охл-ия головки блока цилиндров Zylinderkopfkühlung |
| ALL | Sensore ottico livello olio Optical oil level sensor Оптический датчик уровня масла Optischer Ölstandssensor | WH | Teste raffreddate ad acqua Water cooled head Водяное охл-ие головки блока цилиндров Wasserkühlung des Zylinderkopfes | CR | Regolazione di potenza Capacity control Регулятор производительности Leistungsregler |
| US | Partenza a vuoto Unloaded start Разгрузка при пуске компрессора Anlaufentlastung | | | | |

| SERIE - RANGE СЕРИЯ - SERIE | Modello - Model Модель - Тип | MT | REL | ODPS | TMAX | CH | BF | ALL | WH | CR | US |
|--------------------------------|---------------------------------|----|-----|------|------|----|----|-----|----|----|----|
| H11 | H51CS | TK | B | | | B | B | | B | | |
| | H80CC | TK | B | | | B | | | | | |
| | H80CS | TK | B | | | B | B | | B | | |
| | H101CC | TK | B | | | B | | | | | |
| | H101CS | TK | B | | | B | B | | B | | |
| | H151CC | TK | B | | | B | | | | | |
| | H151CS | TK | B | | | B | B | | B | | |
| | H181CC | TK | B | | | B | | | | | |
| | H181CS | TK | B | | | B | B | | B | | |
| | H201CC | TK | B | | | B | | | | | |
| | H201CS | TK | B | | | B | B | | B | | |
| | H221CC | TK | B | | | B | | | | | |
| | H221CS | TK | B | | | B | B | | B | | |
| | H251CC | TK | B | | | B | | | | | |
| H251CS | TK | B | | | B | B | | B | | | |
| H281CC | TK | B | | | B | | | | | | |
| H281SB | TK | B | | | B | B | | B | | | |
| H281CS | TK | B | | | B | B | | B | | | |
| H2 | H290CS | TK | B | | | B | B | | B | | |
| | H300CC | TK | B | | | B | | | | | |
| | H300CS | TK | B | | | B | B | | B | | |
| | H350CC | TK | B | | | B | | | | | |
| | H350SB | TK | B | | | B | B | | B | | |
| | H380CC | TK | B | | | B | | | | | |
| | H380SB | TK | B | | | B | B | | B | | |
| H390CS | TK | B | | | B | B | | B | | | |
| H392CS | TK | B | | | B | B | | B | | | |
| H32 | H403CC | TE | A | | | B | | B | | | |
| | H403CS | TE | A | | | B | B | B | B | | |
| | H503CC | TE | A | | | B | | B | | | |
| | H503CS | TE | A | | | B | B | B | B | | |
| | H743CC | TE | A | | | B | | B | | | |

A Accessori di normale fornitura / Standard supply / Стандартная поставка / Zubehörteile für Standardauslieferung

B Accessori su richiesta / Optional accessories / Доп. оборудование_Аксесуары / Zubehörteile auf Wunsch

TK Termik_Термик

TE PTC

| SERIE - RANGE СЕРИЯ - СЕРИЕ | Modello - Model Модель - Тип | MT | REL | ODPS | TMAX | CH | BF | ALL | WH | CR | US |
|--------------------------------|---------------------------------|----|-----|------|------|----|----|-----|----|----|----|
| H35 | H401CS | TE | A | | | B | B | B | B | B | B |
| | H451CC | TE | A | | | B | | B | | B | B |
| | H451CS | TE | A | | | B | B | B | B | B | B |
| | H551CC | TE | A | | | B | | B | | B | B |
| | H551CS | TE | A | | | B | B | B | B | B | B |
| | H701CC | TE | A | | | B | | B | | B | B |
| | H701CS | TE | A | | | B | B | B | B | B | B |
| | H751CC | TE | A | | | B | | B | | B | B |
| | H751CS | TE | A | | | B | B | B | B | B | B |
| | H1002CC | TE | A | | | B | | B | | B | B |
| H801CS | TE | A | | | B | B | B | B | B | B | |
| H1003CC | TE | A | | | B | | B | | B | B | |
| H41 | H851CS | TE | A | | | B | B | B | B | B | B |
| | H1201CC | TE | A | | | B | | B | | B | B |
| | H1001CS | TE | A | | | B | B | B | B | B | B |
| | H1501CC | TE | A | | | B | | B | | B | B |
| | H1501CS | TE | A | | | B | B | B | B | B | B |
| | H2001CC | TE | A | | | B | | B | | B | B |
| | H1601CS | TE | A | | | B | B | B | B | B | B |
| H2201CC | TE | A | | | B | | B | | B | B | |
| H5 | H2000CS | TE | A | A | A | B | B | | B | B | B |
| | H2500CC | TE | A | A | A | B | | | | B | B |
| | H2500CS | TE | A | A | A | B | B | | B | B | B |
| | H3000CC | TE | A | A | A | B | | | | B | B |
| | H2700CS | TE | A | A | A | B | B | | B | B | B |
| | H3200CC | TE | A | A | A | B | | | | B | B |
| | H2900CS | TE | A | A | A | B | B | | B | B | B |
| H3400CC | TE | A | A | A | B | | | | B | B | |
| H6 | H3000CS | TE | A | A | A | B | B | | B | B | B |
| | H3500CC | TE | A | A | A | B | | | | B | B |
| | H3500CS | TE | A | A | A | B | B | | B | B | B |
| | H4000CC | TE | A | A | A | B | | | | B | B |
| | H4000CS | TE | A | A | A | B | B | | B | B | B |
| | H4500CC | TE | A | A | A | B | | | | B | B |
| | H4500CS | TE | A | A | A | B | B | | B | B | B |
| H5000CC | TE | A | A | A | B | | | | B | B | |
| H7 | H5000CS | TE | A | A | A | B | B | | B | B | B |
| | H5500CC | TE | A | A | A | B | | | | B | B |
| | H5500CS | TE | A | A | A | B | B | | B | B | B |
| | H6000CC | TE | A | A | A | B | | | | B | B |
| | H6000CS | TE | A | A | A | B | B | | B | B | B |
| | H7500CC | TE | A | A | A | B | | | | B | B |
| | H7501CS | TE | A | A | A | B | B | | B | B | B |
| | H8001CC | TE | A | A | A | B | | | | B | B |
| | H8000CS | TE | A | A | A | B | B | | B | B | B |
| H9000CC | TE | A | A | A | B | | | | B | B | |

A Accessori di normale fornitura / Standard supply / Стандартная поставка / Zubehörteile für Standardauslieferung

B Accessori su richiesta / Optional accessories / Доп. оборудование_Аксессуары / Zubehörteile auf Wunsch

TK Termik_Термик

TE PTC

| Serie Range Серия Serie | Modello Model Модель Typ | Vol. Spost. Displacement Об.произв-ть Fördervolumen | | Pressione sonora / Sound pressure (free field) Звуковое давление Lp / Schalldruckpegel | | | | | | Potenza sonora / Sound power Мощность звука Lw / Schalleistung | | |
|----------------------------------|-----------------------------------|--|-------|---|------|------|------------------------|------|------|---|------|------|
| | | 50 Hz | 60 Hz | 1,8 m | | | 5 m | | | ISO9614-1 grade 2 | | |
| | | | | Te / Tc _ To / Tk [°C] | | | Te / Tc _ To / Tk [°C] | | | Te / Tc _ To / Tk [°C] | | |
| | | [m ³ /h] | | [dBA] | | | | | | | | |
| H11 | H51CS | 4,42 | 5,30 | | | 47,8 | | | 38,9 | | | 63,9 |
| | H80CC | 4,42 | 5,30 | 46,5 | | | 37,6 | | | 62,6 | | |
| | H80CS | 5,37 | 6,44 | | | 48,6 | | | 39,7 | | | 64,7 |
| | H101CC | 5,37 | 6,44 | 48,3 | | | 39,4 | | | 64,4 | | |
| | H101CS | 6,71 | 8,05 | | | 49,8 | | | 40,9 | | | 65,9 |
| | H151CC | 6,71 | 8,05 | 49,2 | | | 40,3 | | | 65,3 | | |
| | H151CS | 7,5 | 9,00 | | | 50,1 | | | 41,2 | | | 66,2 |
| | H181CC | 7,5 | 9,00 | 49,6 | | | 40,7 | | | 65,7 | | |
| | H181CS | 9,16 | 10,99 | | | 50,7 | | | 41,8 | | | 66,8 |
| | H201CC | 9,16 | 10,99 | 49,8 | | | 40,9 | | | 65,9 | | |
| | H201CS | 9,88 | 11,86 | | | 51,2 | | | 42,3 | | | 67,3 |
| | H221CC | 9,88 | 11,86 | 50,0 | | | 41,1 | | | 66,1 | | |
| | H221CS | 10,61 | 12,73 | | | 51,8 | | | 42,9 | | | 67,9 |
| | H251CC | 10,61 | 12,73 | 51,9 | | | 43,0 | | | 68,0 | | |
| | H251CS | 11,64 | 13,97 | | 49,8 | 51,8 | | 40,9 | 42,9 | | 65,9 | 67,9 |
| | H281CC | 11,64 | 13,97 | 54,8 | 53,4 | 51,8 | 45,9 | 44,5 | 42,9 | 70,9 | 69,5 | 67,9 |
| H281SB | 13,23 | 15,88 | | 53,4 | 51,8 | | 44,5 | 42,9 | | 69,5 | 67,9 | |
| H281CS | 13,23 | 15,88 | | 53,4 | 51,8 | | 44,5 | 42,9 | | 69,5 | 67,9 | |
| H2 | H290CS | 14,74 | 17,69 | | | 51,9 | | | 43,0 | | | 68,0 |
| | H300CC | 14,74 | 17,69 | | 51,4 | 51,9 | | 42,5 | 43,0 | | 67,5 | 68,0 |
| | H300CS | 15,94 | 19,13 | 50,9 | 51,4 | | 42,0 | 42,5 | | 67,0 | 67,5 | |
| | H350CC | 15,94 | 19,13 | 51,4 | 51,9 | | 42,5 | 43,0 | | 67,5 | 68,0 | |
| | H350SB | 17,53 | 21,04 | 51,4 | 51,9 | | 42,5 | 43,0 | | 67,5 | 68,0 | |
| | H380CC | 17,53 | 21,04 | | | 52,4 | | | 43,5 | | | 68,5 |
| | H380SB | 19,53 | 23,43 | 52,9 | 52,4 | | 44,0 | 43,5 | | 69,0 | 68,5 | |
| | H390CS | 19,53 | 23,43 | | | 53,4 | | | 44,5 | | | 69,5 |
| H392CS | 23,31 | 27,97 | | 53,9 | 54,4 | | 45,0 | 45,5 | | 70,0 | 70,5 | |
| H32 | H403CC | 19,98 | 23,98 | | | 55,9 | | | 47,0 | | | 72,0 |
| | H403CS | 22,83 | 27,40 | 54,4 | 55,4 | | 45,5 | 46,5 | | 70,5 | 71,5 | |
| | H503CC | 22,83 | 27,40 | | 54,9 | 55,9 | | 46,0 | 47,0 | | 71,0 | 72,0 |
| | H503CS | 26,44 | 31,73 | 55,9 | 57,4 | | 47,0 | 48,5 | | 72,0 | 73,5 | |
| | H743CC | 26,44 | 31,73 | | 55,9 | 57,4 | | 47,0 | 48,5 | | 72,0 | 73,5 |
| H35 | H401CS | 19,29 | 23,14 | | 54,4 | 55,4 | | 45,5 | 46,5 | | 70,5 | 71,5 |
| | H451CC | 19,29 | 23,14 | 55,4 | 56,4 | | 46,5 | 47,5 | | 71,5 | 72,5 | |
| | H451CS | 23,13 | 27,76 | | 55,4 | 56,9 | | 46,5 | 48,0 | | 71,5 | 73,0 |
| | H551CC | 23,13 | 27,76 | 55,9 | 56,9 | | 47,0 | 48,0 | | 72,0 | 73,0 | |
| | H551CS | 27,33 | 32,80 | | 57,9 | 58,4 | | 49,0 | 49,5 | | 74,0 | 74,5 |
| | H701CC | 27,33 | 32,80 | | 58,4 | 58,9 | | 49,5 | 50,0 | | 74,5 | 75,0 |
| | H701CS | 31,88 | 38,26 | 57,9 | 58,4 | 58,9 | 49,0 | 49,5 | 50,0 | 74,0 | 74,5 | 75,0 |
| | H751CC | 31,88 | 38,26 | | 58,9 | 59,4 | | 50,0 | 50,5 | | 75,0 | 75,5 |
| | H751CS | 38,06 | 45,67 | 58,4 | 58,9 | 59,4 | 49,5 | 50,0 | 50,5 | 74,5 | 75,0 | 75,5 |
| | H1002CC | 38,06 | 45,67 | | | 59,9 | | | 51,0 | | | 76,0 |
| | H801CS | 43,73 | 52,48 | 58,4 | 58,9 | 59,4 | 49,5 | 50,0 | 50,5 | 74,5 | 75,0 | 75,5 |
| | H1003CC | 43,73 | 52,48 | | | 59,9 | | | 51,0 | | | 76,0 |

| Serie Range Серия Serie | Modello Model Модель Typ | Vol. Spost. Displacement Об.произв-ть Fördervolumen | | Pressione sonora / Sound pressure (free field) Звуковое давление Lp / Schalldruckpegel | | | | | | Potenza sonora / Sound power Мощность звука Lw / Schallleistung | | |
|----------------------------------|-----------------------------------|--|--------|---|-----------|-----------|------------------------|-----------|-----------|--|-----------|-----------|
| | | | | 1,8 m | | | 5 m | | | ISO9614-1 grade 2 | | |
| | | | | Te / Tc _ To / Tk [°C] | | | Te / Tc _ To / Tk [°C] | | | Te / Tc _ To / Tk [°C] | | |
| | | 50 Hz | 60 Hz | +7 / +50 | -10 / +45 | -30 / +40 | +7 / +50 | -10 / +45 | -30 / +40 | +7 / +50 | -10 / +45 | -30 / +40 |
| | | [m ³ /h] | | [dBA] | | | | | | | | |
| H41 | H851CS | 42,81 | 51,38 | | 58,9 | 60,4 | | 50,0 | 51,5 | | 75,0 | 76,5 |
| | H1201CC | 42,81 | 51,38 | 58,9 | 58,9 | 60,4 | 50,0 | 50,0 | 51,5 | 75,0 | 75,0 | 76,5 |
| | H1001CS | 48,82 | 58,58 | | 60,9 | 61,4 | | 52,0 | 52,5 | | 77,0 | 77,5 |
| | H1501CC | 48,82 | 58,58 | 60,4 | 60,9 | 61,4 | 51,5 | 52,0 | 52,5 | 76,5 | 77,0 | 77,5 |
| | H1501CS | 56,87 | 68,25 | | 61,9 | 62,6 | | 53,0 | 53,7 | | 78,0 | 78,7 |
| | H2001CC | 56,87 | 68,25 | 61,4 | 61,9 | 62,6 | 52,5 | 53,0 | 53,7 | 77,5 | 78,0 | 78,7 |
| | H1601CS | 63,76 | 76,51 | | 62,9 | 63,4 | | 54,0 | 54,5 | | 79,0 | 79,5 |
| | H2201CC | 63,76 | 76,51 | 62,4 | 62,9 | 63,4 | 53,5 | 54,0 | 54,5 | 78,5 | 79,0 | 79,5 |
| H5 | H2000CS | 75,83 | 91,00 | | 61,4 | 61,9 | | 52,5 | 53,0 | | 77,5 | 78,0 |
| | H2500CC | 75,83 | 91,00 | 60,9 | 61,4 | 61,9 | 52,0 | 52,5 | 53,0 | 77,0 | 77,5 | 78,0 |
| | H2500CS | 85,01 | 102,02 | | 62,4 | 62,9 | | 53,5 | 54,0 | | 78,5 | 79,0 |
| | H3000CC | 85,01 | 102,02 | 61,9 | 62,4 | 62,9 | 53,0 | 53,5 | 54,0 | 78,0 | 78,5 | 79,0 |
| | H2700CS | 92,25 | 110,69 | | 63,4 | 63,9 | | 54,5 | 55,0 | | 79,5 | 80,0 |
| | H3200CC | 92,25 | 110,69 | 62,9 | 63,4 | 63,9 | 54,0 | 54,5 | 55,0 | 79,0 | 79,5 | 80,0 |
| | H2900CS | 102,35 | 122,82 | | 64,4 | 64,9 | | 55,5 | 56,0 | | 80,5 | 81,0 |
| | H3400CC | 102,35 | 122,82 | 63,9 | 64,4 | 64,9 | 55,0 | 55,5 | 56,0 | 80,0 | 80,5 | 81,0 |
| H6 | H3000CS | 113,74 | 136,49 | | 65,4 | 65,9 | | 56,5 | 57,0 | | 81,5 | 82,0 |
| | H3500CC | 113,74 | 136,49 | 64,9 | 65,4 | 65,9 | 56,0 | 56,5 | 57,0 | 81,0 | 81,5 | 82,0 |
| | H3500CS | 127,52 | 153,02 | | 65,9 | 66,4 | | 57,0 | 57,5 | | 82,0 | 82,5 |
| | H4000CC | 127,52 | 153,02 | 65,4 | 65,9 | 66,4 | 56,5 | 57,0 | 57,5 | 81,5 | 82,0 | 82,5 |
| | H4000CS | 138,37 | 166,04 | | 66,4 | 66,9 | | 57,5 | 58,0 | | 82,5 | 83,0 |
| | H4500CC | 138,37 | 166,04 | 65,9 | 66,4 | 66,9 | 57,0 | 57,5 | 58,0 | 82,0 | 82,5 | 83,0 |
| | H4500CS | 153,52 | 184,22 | | 66,5 | 67,0 | | 57,6 | 58,1 | | 82,6 | 83,1 |
| | H5000CC | 153,52 | 184,22 | 66,0 | 66,5 | 67,0 | 57,1 | 57,6 | 58,1 | 82,1 | 82,6 | 83,1 |
| H7 | H5000CS | 164,30 | 197,16 | | 66,9 | 67,4 | | 58,0 | 58,5 | | 83,0 | 83,5 |
| | H5500CC | 164,30 | 197,16 | 66,4 | 66,9 | 67,4 | 57,5 | 58,0 | 58,5 | 82,5 | 83,0 | 83,5 |
| | H5500CS | 184,19 | 221,03 | | 67,1 | 67,6 | | 58,2 | 58,7 | | 83,2 | 83,7 |
| | H6000CC | 184,19 | 221,03 | 66,6 | 67,1 | 67,6 | 57,7 | 58,2 | 58,7 | 82,7 | 83,2 | 83,7 |
| | H6000CS | 199,86 | 239,83 | | 67,3 | 67,8 | | 58,4 | 58,9 | | 83,4 | 83,9 |
| | H7500CC | 199,86 | 239,83 | 66,8 | 67,3 | 67,8 | 57,9 | 58,4 | 58,9 | 82,9 | 83,4 | 83,9 |
| | H7501CS | 221,75 | 266,10 | | 67,4 | 67,9 | | 58,5 | 59,0 | | 83,5 | 84,0 |
| | H8001CC | 221,75 | 266,10 | 66,9 | 67,4 | 67,9 | 58,0 | 58,5 | 59,0 | 83,0 | 83,5 | 84,0 |
| | H8000CS | 244,78 | 293,74 | | 67,5 | 68,0 | | 58,6 | 59,1 | | 83,6 | 84,1 |
| | H9000CC | 244,78 | 293,74 | 67,0 | 67,5 | 68,0 | 58,1 | 58,6 | 59,1 | 83,1 | 83,6 | 84,1 |

Gli eccellenti risultati ottenuti dalla Dorin sono stati anche "certificati" da strette misurazioni intensimetriche fatte dall'Università di Firenze secondo le norme ISO 9614-1 grado 2. La formula per ottenere la pressione sonora (Lp) ad una certa distanza (d), conoscendo la potenza sonora (Lw) è: $Lp = Lw + 10 \log [K / (4\pi \cdot 1.42 \cdot d \cdot d)]$ dove K = Direttività = 1 per campo libero; d = Distanza in metri.

Strict intensimetric measurements made by the Florence University according to the rules ISO 9614-1 grade 2, "certified" the excellent results obtained by Dorin. The relation to obtain the sound pressure (Lp) at a certain distance (d), knowing the sound power (Lw), is: $Lp = Lw + 10 \log [K / (4\pi \cdot 1.42 \cdot d \cdot d)]$ where K = Directivity = 1 for free field; d = Distance in meter.

Флорентийским Университетом (Италия) были проведены точные измерения уровня шума по правилам ISO 9614-1, п.п.2, сертифицированы превосходные результаты компрессоров Dorin. Зная мощность звука (Lw), по приведенному ниже уравнению, можно определить уровень звукового давления (Lp) на расстоянии (d) от источника: $Lp = Lw + 10 \log [K / (4\pi \cdot 1.42 \cdot d \cdot d)]$, где K = показатель направленности для открытого пространства; d = расстояние в метрах

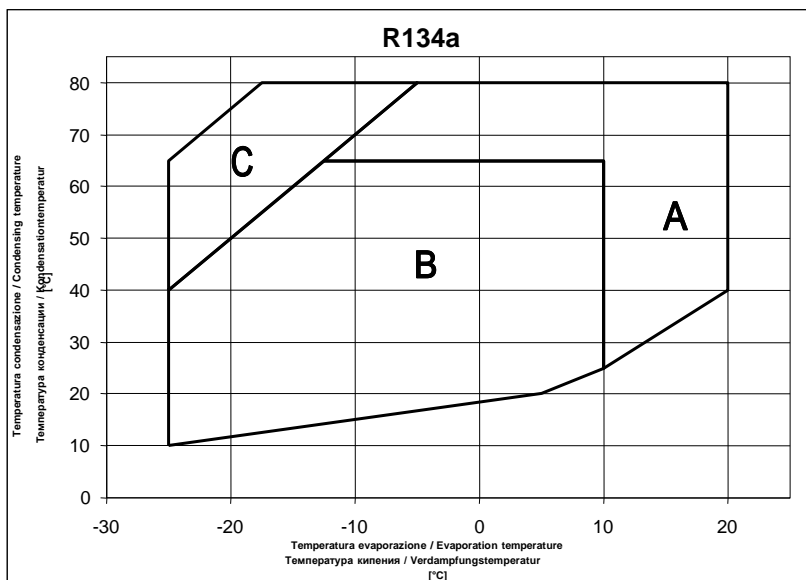
Die ausgezeichneten Ergebnisse bei Dorin wurden durch genaue Messungen der Leistungsdaten an der Universität Firenze gemäß ISO 9614-1, Stufe 2, „zertifiziert“. Die Formel zur Berechnung des Schalldrucks (Lp) bei einer gegebenen Entfernung (d) und bekannter Schallleistung (Lw) lautet: $Lp = Lw + 10 \log [K / (4\pi \cdot 1.42 \cdot d \cdot d)]$, wobei K = Richtwirkung = 1 für freies Feld; d = Entfernung in Metern.

- A Solo per modelli "CC"
- B Applicazione standard
- C Ventilatore su testa oppure max surrisc. 20K

- A "CC" models only
- B Normal operation
- C Head cooling fan or max superheating 20K

- A Только модели "CC"
- B Стандартная область применения
- C Вентилятор для охл-ия головки блока цилиндров или макс. перегрев 20K

- A Nur "CC" Modelle
- B Standard Einsatz
- C Zylinderkopfkühlung oder Sauggasüberhitzung 20K max

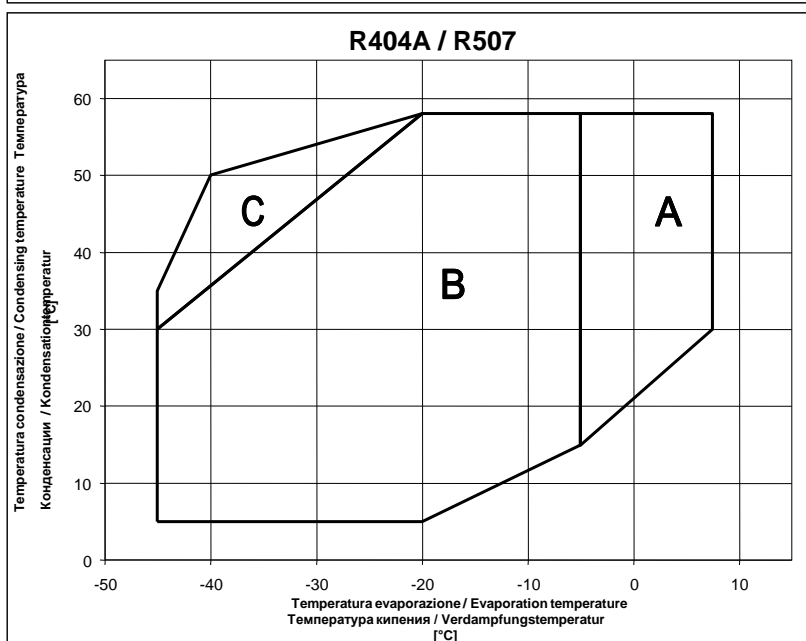


- A Solo per modelli "CC"
- B Applicazione standard
- C Ventilatore su testa oppure max surrisc. 20K

- A "CC" models only
- B Normal operation
- C Head cooling fan or max superheating 20K

- A Только модели "CC"
- B Стандартная область применения
- C Вентилятор для охл-ия головки блока цилиндров или макс. перегрев 20K

- A Nur "CC" Modelle
- B Standard Einsatz
- C Zylinderkopfkühlung oder Sauggasüberhitzung 20K max

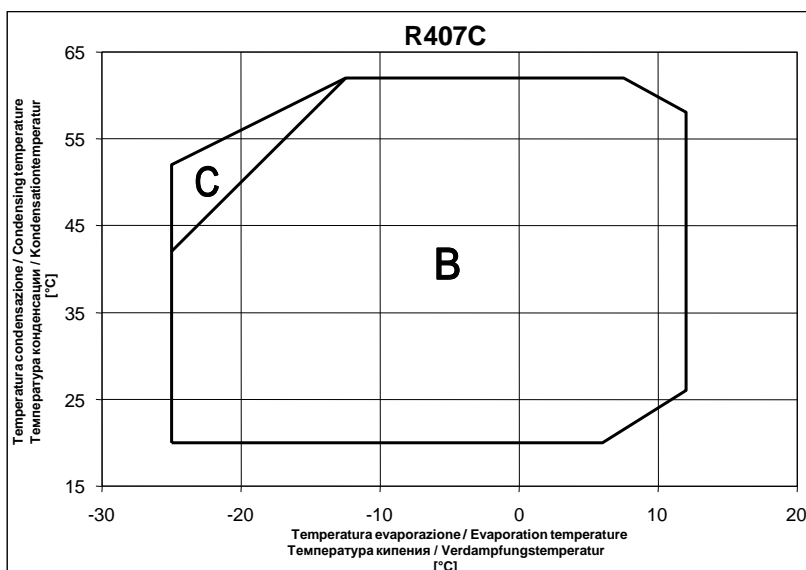


- B Applicazione standard
- C Ventilatore su testa oppure max surrisc. 20K

- B Normal operation
- C Head cooling fan or max superheating 20K

- B Стандартная область применения
- C Вентилятор для охл-ия головки блока цилиндров или макс. перегрев 20K

- B Standard Einsatz
- C Zylinderkopfkühlung oder Sauggasüberhitzung 20K max



Per individuare gli esatti limiti di funzionamento di ogni singolo modello riferirsi al software di selezione Dorin

In order to define the exact operating limits for each model, refer to Dorin selection software

Чтобы определить точные пределы эксплуатации для каждой модели компрессора, см. программу подбора компрессоров Dorin

Die Festlegung der genauen Grenzen des Betriebsbereichs für jedes Modell finden Sie in der Dorin Software-Auswahl

- A** Solo per modelli "CC"
- B** Applicazione standard
- C** Ventilatore su testa oppure max surrisc. 20K
- D** Ventilatore su testa + max surrisc. 20K

- A** "CC" models only
- B** Normal operation
- C** Head cooling fan or max superheating 20K
- D** Head cooling fan + max superheating 20K

- A** Только модели "CC"
- B** Стандартная область применения
- C** Вентилятор для охл-ия головки блока цили-ов или макс. перегрев 20K
- D** Вентилятор для охл-ия головки блока цили-ов + макс. перегрев 20K

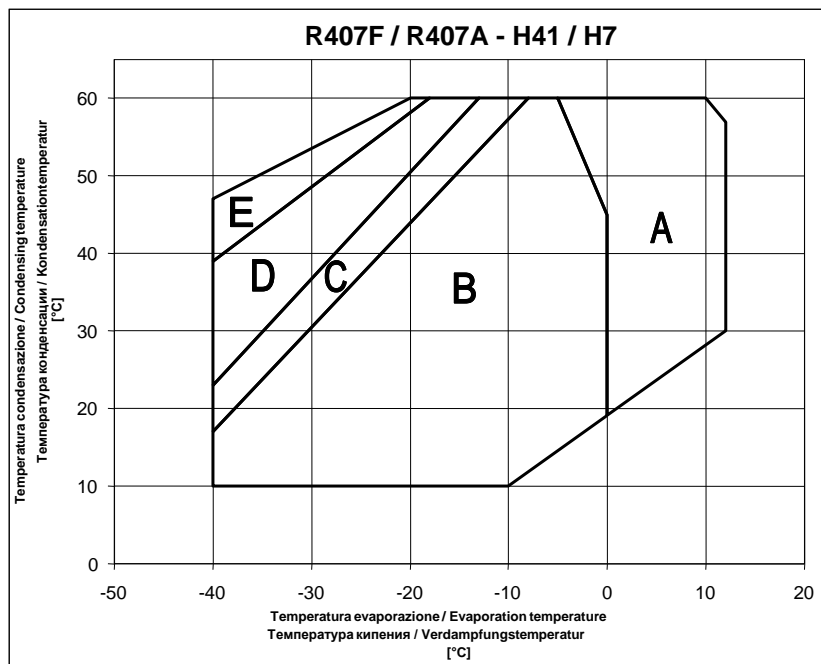
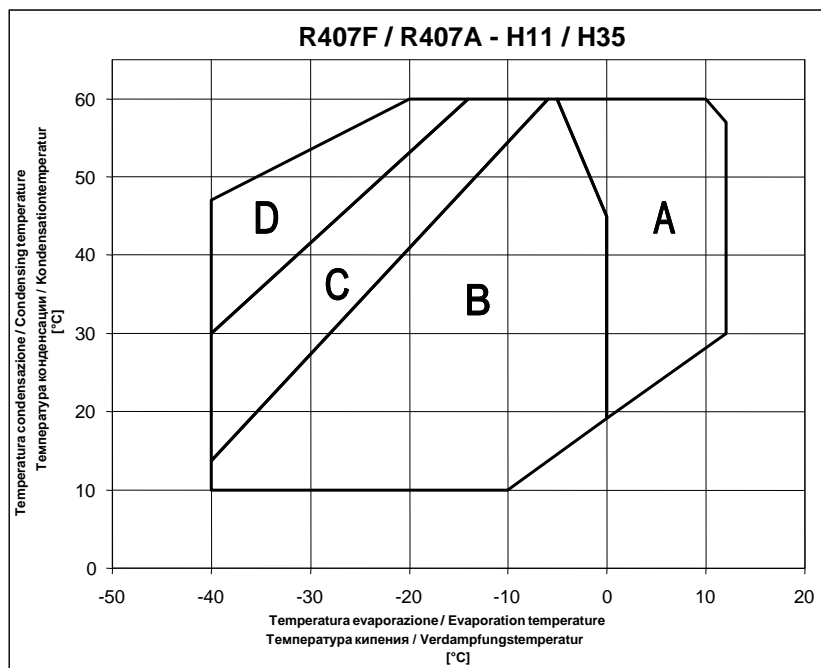
- A** Nur "CC" Modelle
- B** Standard Einsatz
- C** Zylinderkopfkühlung oder Sauggasüberhitzung 20K max
- D** Zylinderkopfkühlung + Sauggasüberhitzung 20K max

- A** Solo per modelli "CC"
- B** Applicazione standard
- C** Ventilatore su testa oppure max surrisc. 20K
- D** Ventilatore su testa + max surrisc. 30K (ventilatore su testa + DTC se surrisc. > 30K)
- E** Ventilatore su testa + max surrisc. 20K (ventilatore su testa + DTC se surrisc. > 20K)

- A** "CC" models only
- B** Normal operation
- C** Head cooling fan or max superheating 20K
- D** D = Head cooling fan + max superheating 30K (head cooling fan + DTC if superheating > 30K)
- E** E = Head cooling fan + max superheating 20K (head cooling fan + DTC if superheating > 20K)

- A** Только модели "CC"
- B** Стандартная область применения
- C** Вентилятор для охл-ия головки блока цили-овили макс. перегрев 20K
- D** Вент-р для охл-ия головки блока цили-ов + макс. перегрев 30K (вент-р для охл-ия головки блока цили-ов + система DTC, если перегрев > 30K)
- E** Вент-р для охл-ия головки блока цили-ов + макс. перегрев 20K (вент-р для охл-ия головки блока цили-ов + система DTC, если перегрев > 20K)

- A** Nur "CC" Modelle
- B** Standard Einsatz
- C** Zylinderkopfkühlung oder Sauggasüberhitzung 20K max
- D** Zylinderkopfkühlung + Sauggasüberhitzung 30K max (Zylinderkopfkühlung + DTC wen Sauggasüberhitzung > 30K)
- E** Zylinderkopfkühlung + Sauggasüberhitzung 20K max (Zylinderkopfkühlung + DTC wen Sauggasüberhitzung > 20K)



Per individuare gli esatti limiti di funzionamento di ogni singolo modello riferirsi al software di selezione Dorin

In order to define the exact operating limits for each model, refer to Dorin selection software

Чтобы определить точные пределы эксплуатации для каждой модели компрессора, см. программу подбора компрессоров Dorin

Die Festlegung der genauen Grenzen des Betriebsbereichs für jedes Modell finden Sie in der Dorin Software-Auswahl

R134a

| Serie Range Серия Serie | Modello Model Модель Модель Typ | Temp. Cond. Cond. Temp. Темп. конд. Kond. Temp. [°C] | Q [W] | Capacità frigorifera Refrigerating capacity Холодопроизв-ть Kälteleistung | | | | P [kW] | Potenza assorbita Power input Потребляемая мощность Leistungsaufnahme | | | |
|----------------------------------|---|--|----------|---|-------|-------|------|-----------|--|------|------|------|
| | | | | Temperatura evaporazione / Evaporating temperature Температура кипения / Verdampfungstemperatur [°C] | | | | | | | | |
| | | | | +20 | +15 | +10 | +5 | | 0 | -5 | -10 | -15 |
| H11 | H51CS | 35 | Q | | | 3340 | 2740 | 2210 | 1750 | 1360 | 1030 | 760 |
| | | | P | | | 0,73 | 0,71 | 0,67 | 0,62 | 0,57 | 0,52 | 0,46 |
| | 45 | Q | | | 2860 | 2330 | 1860 | 1460 | 1120 | 830 | 595 | |
| | | P | | | 0,87 | 0,81 | 0,75 | 0,68 | 0,61 | 0,54 | 0,47 | |
| | H80CC | 35 | Q | | 4020 | 3330 | 2720 | 2190 | 1730 | 1340 | 1020 | 745 |
| | | | P | | 0,75 | 0,73 | 0,70 | 0,65 | 0,61 | 0,55 | 0,50 | 0,44 |
| | 45 | Q | 4130 | 3440 | 2840 | 2300 | 1840 | 1440 | 1100 | 820 | 585 | |
| | | P | 0,94 | 0,90 | 0,85 | 0,79 | 0,73 | 0,66 | 0,59 | 0,52 | 0,45 | |
| | H80CS | 35 | Q | | | 4110 | 3370 | 2720 | 2160 | 1680 | 1280 | 940 |
| | | | P | | | 0,87 | 0,84 | 0,80 | 0,75 | 0,68 | 0,61 | 0,53 |
| | 45 | Q | | | 3520 | 2860 | 2290 | 1800 | 1380 | 1030 | 740 | |
| | | P | | | 1,01 | 0,96 | 0,89 | 0,81 | 0,72 | 0,64 | 0,55 | |
| | H101CC | 35 | Q | | 4940 | 4090 | 3350 | 2700 | 2140 | 1660 | 1260 | 925 |
| | | | P | | 0,89 | 0,87 | 0,83 | 0,78 | 0,72 | 0,66 | 0,59 | 0,53 |
| | 45 | Q | 5070 | 4230 | 3490 | 2840 | 2270 | 1780 | 1370 | 1020 | 730 | |
| | | P | 1,12 | 1,07 | 1,01 | 0,94 | 0,87 | 0,79 | 0,70 | 0,62 | 0,54 | |
| | H101CS | 35 | Q | | | 5090 | 4170 | 3370 | 2680 | 2090 | 1590 | 1180 |
| | | | P | | | 1,07 | 1,02 | 0,97 | 0,90 | 0,82 | 0,74 | 0,66 |
| | 45 | Q | | | 4370 | 3550 | 2850 | 2240 | 1720 | 1290 | 925 | |
| | | P | | | 1,26 | 1,17 | 1,08 | 0,98 | 0,88 | 0,78 | 0,68 | |
| | H151CC | 35 | Q | | 6170 | 5120 | 4190 | 3390 | 2690 | 2090 | 1590 | 1180 |
| | | | P | | 1,09 | 1,06 | 1,02 | 0,96 | 0,89 | 0,82 | 0,74 | 0,66 |
| | 45 | Q | 6340 | 5300 | 4380 | 3560 | 2860 | 2250 | 1730 | 1300 | 935 | |
| | | P | 1,37 | 1,31 | 1,24 | 1,16 | 1,07 | 0,97 | 0,87 | 0,77 | 0,68 | |
| | H151CS | 35 | Q | | | 5760 | 4720 | 3820 | 3040 | 2380 | 1810 | 1340 |
| | | | P | | | 1,16 | 1,13 | 1,08 | 1,01 | 0,92 | 0,83 | 0,72 |
| | 45 | Q | | | 4960 | 4040 | 3240 | 2560 | 1970 | 1480 | 1070 | |
| | | P | | | 1,39 | 1,31 | 1,21 | 1,10 | 0,98 | 0,86 | 0,73 | |
| | H181CC | 35 | Q | | 7100 | 5890 | 4830 | 3890 | 3090 | 2400 | 1830 | 1350 |
| | | | P | | 1,14 | 1,16 | 1,15 | 1,1 | 1,02 | 0,93 | 0,83 | 0,72 |
| | 45 | Q | 7330 | 6130 | 5060 | 4120 | 3300 | 2590 | 1990 | 1490 | 1070 | |
| | | P | 1,47 | 1,46 | 1,41 | 1,33 | 1,23 | 1,11 | 0,99 | 0,86 | 0,73 | |
| | H181CS | 35 | Q | | | 7150 | 5880 | 4760 | 3800 | 2980 | 2280 | 1700 |
| | | | P | | | 1,46 | 1,42 | 1,35 | 1,26 | 1,16 | 1,04 | 0,92 |
| | 45 | Q | | | 6200 | 5060 | 4070 | 3210 | 2480 | 1870 | 1360 | |
| | | P | | | 1,77 | 1,66 | 1,53 | 1,39 | 1,23 | 1,08 | 0,93 | |
| | H201CC | 35 | Q | | 8710 | 7240 | 5930 | 4800 | 3810 | 2980 | 2270 | 1690 |
| | | | P | | 1,43 | 1,42 | 1,39 | 1,32 | 1,24 | 1,14 | 1,03 | 0,91 |
| | 45 | Q | 9040 | 7560 | 6240 | 5090 | 4090 | 3220 | 2480 | 1870 | 1360 | |
| | | P | 1,83 | 1,78 | 1,71 | 1,61 | 1,50 | 1,37 | 1,23 | 1,08 | 0,94 | |
| H201CS | 35 | Q | | | 7760 | 6390 | 5200 | 4170 | 3290 | 2540 | 1920 | |
| | | P | | | 1,63 | 1,59 | 1,52 | 1,43 | 1,32 | 1,2 | 1,07 | |
| 45 | Q | | | 6760 | 5540 | 4480 | 3560 | 2780 | 2120 | 1570 | | |
| | P | | | 1,96 | 1,85 | 1,73 | 1,58 | 1,43 | 1,27 | 1,11 | | |
| H221CC | 35 | Q | | 9410 | 7830 | 6440 | 5230 | 4180 | 3280 | 2530 | 1910 | |
| | | P | | 1,63 | 1,62 | 1,57 | 1,49 | 1,40 | 1,28 | 1,16 | 1,03 | |
| 45 | Q | 9760 | 8180 | 6790 | 5560 | 4490 | 3560 | 2770 | 2110 | 1560 | | |
| | P | 2,08 | 2,02 | 1,93 | 1,81 | 1,68 | 1,54 | 1,38 | 1,23 | 1,07 | | |
| H221CS | 35 | Q | | | 8260 | 6800 | 5530 | 4440 | 3500 | 2710 | 2040 | |
| | | P | | | 1,71 | 1,66 | 1,58 | 1,48 | 1,37 | 1,24 | 1,11 | |
| 45 | Q | | | 7180 | 5880 | 4750 | 3780 | 2950 | 2260 | 1670 | | |
| | P | | | 2,03 | 1,92 | 1,79 | 1,64 | 1,48 | 1,32 | 1,16 | | |
| H251CC | 35 | Q | | 10040 | 8350 | 6870 | 5580 | 4460 | 3500 | 2700 | 2040 | |
| | | P | | 1,77 | 1,74 | 1,69 | 1,60 | 1,50 | 1,38 | 1,25 | 1,11 | |
| 45 | Q | 10400 | 8720 | 7230 | 5920 | 4780 | 3790 | 2960 | 2250 | 1670 | | |
| | P | 2,24 | 2,17 | 2,07 | 1,95 | 1,80 | 1,65 | 1,48 | 1,32 | 1,16 | | |
| H251CS | 35 | Q | | | 9120 | 7540 | 6150 | 4950 | 3930 | 3060 | 2330 | |
| | | P | | | 1,91 | 1,86 | 1,79 | 1,69 | 1,58 | 1,45 | 1,31 | |
| 45 | Q | | | 7980 | 6560 | 5330 | 4260 | 3360 | 2590 | 1940 | | |
| | P | | | 2,30 | 2,18 | 2,05 | 1,90 | 1,73 | 1,57 | 1,40 | | |
| H281CC | 35 | Q | | 10950 | 9130 | 7530 | 6140 | 4930 | 3890 | 3020 | 2300 | |
| | | P | | 1,97 | 1,94 | 1,89 | 1,80 | 1,70 | 1,59 | 1,46 | 1,32 | |
| 45 | Q | 11390 | 9570 | 7960 | 6540 | 5310 | 4240 | 3330 | 2560 | 1920 | | |
| | P | 2,49 | 2,42 | 2,32 | 2,20 | 2,07 | 1,91 | 1,75 | 1,58 | 1,40 | | |
| H281SB | 35 | Q | | | 10520 | 8690 | 7100 | 5720 | 4540 | 3550 | 2710 | |
| | | P | | | 2,19 | 2,12 | 2,02 | 1,91 | 1,78 | 1,64 | 1,49 | |
| 45 | Q | | | 9230 | 7590 | 6170 | 4940 | 3890 | 3000 | 2260 | | |
| | P | | | 2,64 | 2,49 | 2,32 | 2,14 | 1,95 | 1,77 | 1,58 | | |
| H281CS | 35 | Q | | | 10460 | 8640 | 7050 | 5680 | 4510 | 3510 | 2680 | |
| | | P | | | 2,22 | 2,17 | 2,07 | 1,95 | 1,81 | 1,66 | 1,50 | |
| 45 | Q | | | 9160 | 7530 | 6110 | 4890 | 3850 | 2970 | 2230 | | |
| | P | | | 2,70 | 2,55 | 2,37 | 2,18 | 1,97 | 1,77 | 1,59 | | |
| H2 | H290CS | 35 | Q | | | 11480 | 9470 | 7710 | 6190 | 4890 | 3800 | 2880 |
| | | | P | | | 2,24 | 2,17 | 2,06 | 1,91 | 1,73 | 1,53 | 1,32 |
| | 45 | Q | | | 10020 | 8220 | 6660 | 5310 | 4160 | 3190 | 2370 | |
| | | P | | | 2,61 | 2,46 | 2,28 | 2,07 | 1,84 | 1,61 | 1,37 | |
| H300CC | 35 | Q | | 13880 | 11570 | 9540 | 7760 | 6230 | 4920 | 3820 | 2920 | |
| | | P | | 2,29 | 2,23 | 2,14 | 2,03 | 1,90 | 1,77 | 1,61 | 1,46 | |
| 45 | Q | 14410 | 12090 | 10030 | 8230 | 6670 | 5320 | 4170 | 3200 | 2400 | | |
| | P | 2,82 | 2,71 | 2,58 | 2,44 | 2,27 | 2,10 | 1,91 | 1,72 | 1,53 | | |

- Funzionamento a 50 Hz
- Per funzionamento a 60 Hz, moltiplicare la resa per 1,18
- Le prestazioni si basano sulla norma europea EN12900
- Non miscelare mai olii estere con olii differenti
- Frequency rate 50 Hz
- For 60 Hz operation, data to be multiplied by 1,18
- Performance data are based on European Standard EN12900
- Never mix ester oils with different oils
- Частота эл. сети 50 Гц
- При частоте эл. сети 60 Гц, данные умножить на 1,18
- Данные по произв-ти получены согласно EN 12900
- Никогда не смешивать полиэфирные масла с др. типами масел
- Frequenz 50 Hz
- Für 60 Hz-Betrieb ist die Leistung mit 1,18 zu multiplizieren
- Leistungswerte basieren auf der europäischen Norm EN 12900
- Niemals Esteröl mit anderen Ölen vermischen

| Serie Range Серия Serie | Modello Model Модель Typ | Temp. Cond. Cond. Temp. Темп.кond. Kond. Temp. [°C] | Q [W] | Capacità frigorifera Refrigerating capacity Холодопроизв-ть Kälteleistung | | | | | P [kW] | Potenza assorbita Power input Потребляемая мощность Leistungsaufnahme | | | | |
|----------------------------------|-----------------------------------|---|----------|---|--------|--------|--------|--------|-----------|--|-------|-------|-------|-------|
| | | | | Temperatura evaporazione / Evaporating temperature Температура кипения / Verdampfungstemperatur [°C] | | | | | | | | | | |
| | | | | +10 | +5 | 0 | -5 | -10 | | -15 | -20 | -25 | -30 | -35 |
| H6 | H3000CS | 35 | Q | | | 93740 | 76910 | 62280 | 49700 | 38990 | 29970 | 22490 | 16380 | 11460 |
| | | | P | | | 26,08 | 24,15 | 21,97 | 19,62 | 17,19 | 14,78 | 12,47 | 10,36 | 8,53 |
| | H3500CC | 35 | Q | 140400 | 116500 | 95730 | 77850 | 62570 | 49640 | 38830 | 29860 | 22500 | 16500 | 11590 |
| | | | P | 26,78 | 26,41 | 25,40 | 23,86 | 21,93 | 19,72 | 17,35 | 14,94 | 12,63 | 10,52 | 8,74 |
| | H3500CS | 35 | Q | 124100 | 102400 | 83630 | 67540 | 53890 | 42400 | 32840 | 24960 | 18490 | 13200 | 8820 |
| | | | P | 34,02 | 32,12 | 29,75 | 27,03 | 24,10 | 21,06 | 18,03 | 15,15 | 12,53 | 10,30 | 8,56 |
| | H4000CC | 35 | Q | 156700 | 130200 | 107100 | 87170 | 70170 | 55760 | 43680 | 33650 | 25390 | 18610 | 13050 |
| | | | P | 30,79 | 30,12 | 28,76 | 26,85 | 24,53 | 21,96 | 19,27 | 16,60 | 14,10 | 11,91 | 10,17 |
| | H4000CS | 35 | Q | 151300 | 124800 | 101900 | 82170 | 65510 | 51530 | 39910 | 30350 | 22540 | 16170 | 10930 |
| | | | P | 38,87 | 36,50 | 33,64 | 30,44 | 27,04 | 23,58 | 20,20 | 17,04 | 14,26 | 11,98 | 10,36 |
| | H4500CC | 35 | Q | 171100 | 141900 | 116500 | 94650 | 76010 | 60260 | 47100 | 36210 | 27300 | 20050 | 14160 |
| | | | P | 33,37 | 32,20 | 30,51 | 28,40 | 25,98 | 23,34 | 20,58 | 17,82 | 15,15 | 12,66 | 10,47 |
| | H4500CS | 35 | Q | 151300 | 124800 | 101900 | 82170 | 65510 | 51530 | 39910 | 30350 | 22540 | 16170 | 10930 |
| | | | P | 40,75 | 38,12 | 35,13 | 31,88 | 28,46 | 24,97 | 21,53 | 18,22 | 15,15 | 12,43 | 10,15 |
| | H5000CC | 35 | Q | 190500 | 157700 | 129300 | 104900 | 84010 | 66500 | 51900 | 39870 | 30050 | 22060 | 15560 |
| | | | P | 38,24 | 36,59 | 34,41 | 31,83 | 28,95 | 25,90 | 22,78 | 19,72 | 16,81 | 14,18 | 11,94 |
| | H5000CS | 35 | Q | 168100 | 138400 | 112700 | 90810 | 72300 | 56810 | 43970 | 33430 | 24830 | 17800 | 12000 |
| | | | P | 47,23 | 43,89 | 40,21 | 36,30 | 32,27 | 28,23 | 24,31 | 20,61 | 17,25 | 14,33 | 11,99 |
| | H5500CC | 35 | Q | 211600 | 174700 | 142700 | 115100 | 91520 | 71720 | 55250 | 41740 | 30790 | 22040 | 15100 |
| | | | P | 37,67 | 36,89 | 35,23 | 32,88 | 29,99 | 26,75 | 23,32 | 19,88 | 16,58 | 13,61 | 11,12 |
| | H5500CS | 35 | Q | 181800 | 149200 | 121000 | 96940 | 76590 | 59580 | 45520 | 34040 | 24760 | 17300 | 11290 |
| | | | P | 45,90 | 43,34 | 40,13 | 36,44 | 32,43 | 28,28 | 24,16 | 20,23 | 16,67 | 13,65 | 11,34 |
| | H6000CC | 35 | Q | 239100 | 197100 | 160700 | 129400 | 102800 | 80500 | 62000 | 46860 | 34610 | 24820 | 17020 |
| | | | P | 42,19 | 41,23 | 39,32 | 36,64 | 33,40 | 29,77 | 25,95 | 22,11 | 18,45 | 15,14 | 12,39 |
| H6000CS | 35 | Q | 204800 | 167800 | 136000 | 108900 | 85970 | 66890 | 51150 | 38310 | 27920 | 19510 | 12640 | |
| | | P | 51,26 | 48,35 | 44,74 | 40,60 | 36,13 | 31,51 | 26,92 | 22,56 | 18,62 | 15,27 | 12,71 | |
| H7500CC | 35 | Q | 259800 | 214500 | 175200 | 141300 | 112500 | 88110 | 67890 | 51280 | 37840 | 27080 | 18560 | |
| | | P | 46,99 | 45,96 | 43,86 | 40,91 | 37,31 | 33,27 | 29,01 | 24,73 | 20,64 | 16,95 | 13,88 | |
| H7501CS | 35 | Q | 223200 | 183200 | 148600 | 119100 | 94070 | 73180 | 55910 | 41810 | 30410 | 21250 | 13860 | |
| | | P | 57,26 | 54,03 | 50,00 | 45,38 | 40,38 | 35,22 | 30,09 | 25,22 | 20,80 | 17,05 | 14,18 | |
| H8001CC | 35 | Q | 285200 | 236000 | 193100 | 156000 | 124400 | 97550 | 75190 | 56770 | 41820 | 29870 | 20420 | |
| | | P | 50,98 | 50,17 | 48,11 | 45,03 | 41,17 | 36,77 | 32,09 | 27,34 | 22,79 | 18,66 | 15,20 | |
| H8000CS | 35 | Q | 245700 | 202000 | 164100 | 131700 | 104100 | 80990 | 61850 | 46180 | 33530 | 23400 | 15330 | |
| | | P | 62,51 | 59,21 | 54,96 | 49,99 | 44,55 | 38,88 | 33,21 | 27,79 | 22,87 | 18,67 | 15,44 | |
| H9000CC | 35 | Q | 317200 | 261900 | 213900 | 172500 | 137300 | 107600 | 82880 | 62620 | 46200 | 33080 | 22670 | |
| | | P | 56,62 | 55,44 | 52,96 | 49,42 | 45,09 | 40,22 | 35,07 | 29,88 | 24,93 | 20,45 | 16,71 | |
| H9000CS | 35 | Q | 272500 | 223600 | 181500 | 145400 | 114900 | 89330 | 68260 | 51050 | 37130 | 25940 | 16920 | |
| | | P | 68,98 | 65,13 | 60,31 | 54,76 | 48,73 | 42,50 | 36,30 | 30,40 | 25,04 | 20,50 | 17,02 | |

R407F

R407A*

- Funzionamento a 50 Hz
- Per funzionamento a 60 Hz, moltiplicare la resa per 1,18
- Le prestazioni si basano sulla norma europea EN12900
- Non miscelare mai olii estere con olii differenti
- * Per prestazioni con R407A, considerare una riduzione del 6% di Q e P (stesso COP)
- Frequency rate 50 Hz
- For 60 Hz operation, data to be multiplied by 1,18
- Performance data are based on European Standard EN12900
- Never mix ester oils with different oils
- * For performance with R407A, consider a 6% reduction of Q and P (same COP)
- Частота эл. сети 50 Гц
- При частоте эл. сети 60 Гц, данные умножить на 1,18
- Данные по произв-ти получены согласно EN 12900
- Никогда не смешивать полиэфирные масла с др. типами масел
- * Данные по производительности (Q и P) для R407A уменьшить на 6% (в т.ч. COP_холод.КГД)
- Frequenz 50 Hz
- Für 60 Hz-Betrieb ist die Leistung mit 1,18 zu multiplizieren
- Leistungswerte basieren auf der europäischen Norm EN 12900
- Niemals Esteröl mit anderen Ölen vermischen
- * Für Leistung mit R407A, halten eine 6% ige Reduktion von Q und P (gleiche COP)

R407C

| Serie Range Серия Serie | Modello Model Модель Typ | Temp. Cond. Cond. Temp. Темп.конд. Kond. Temp. [°C] | | Capacità frigorifera Refrigerating capacity Холодопроизв-ть Kälteleistung | | | P [kW] | Potenza assorbita Power input Потребляемая мощность Leistungsaufnahme | | | | |
|----------------------------------|-----------------------------------|---|-------|--|---|-------|-----------|--|-------|------|-----|---|
| | | | | Q [W] | Temperatura evaporazione / Evaporating temperature Температура кипения / Verdampfungstemperatur [°C] | | | -5 | -10 | -15 | -20 | |
| | | | | | +10 | +5 | | | | | | 0 |
| | | | | | +10 | +5 | | | | | | 0 |
| H11 | H80CC | 30 | Q | 5260 | 4360 | 3570 | 2890 | 2310 | 1820 | 1400 | | |
| | | | P | 0,80 | 0,83 | 0,83 | 0,81 | 0,76 | 0,70 | 0,62 | | |
| | | 40 | Q | 4590 | 3780 | 3090 | 2490 | 1980 | 1540 | 1170 | | |
| | | | P | 1,04 | 1,03 | 0,99 | 0,92 | 0,85 | 0,76 | 0,68 | | |
| | | 50 | Q | 3930 | 3240 | 2630 | 2110 | 1660 | 1280 | 945 | | |
| | | | P | 1,25 | 1,19 | 1,11 | 1,02 | 0,93 | 0,83 | 0,73 | | |
| | H101CC | 30 | Q | 6370 | 5270 | 4320 | 3500 | 2800 | 2200 | 1700 | | |
| | | | P | 0,97 | 1,01 | 1,01 | 0,98 | 0,92 | 0,85 | 0,76 | | |
| | | 40 | Q | 5550 | 4580 | 3740 | 3010 | 2390 | 1860 | 1410 | | |
| | | | P | 1,27 | 1,25 | 1,20 | 1,12 | 1,03 | 0,93 | 0,82 | | |
| | | 50 | Q | 4760 | 3910 | 3180 | 2550 | 2010 | 1540 | 1140 | | |
| | | | P | 1,51 | 1,44 | 1,35 | 1,24 | 1,12 | 1,01 | 0,89 | | |
| | H151CC | 30 | Q | 8010 | 6630 | 5440 | 4410 | 3530 | 2780 | 2150 | | |
| | | | P | 1,21 | 1,26 | 1,27 | 1,23 | 1,15 | 1,06 | 0,95 | | |
| | | 40 | Q | 6990 | 5770 | 4720 | 3810 | 3030 | 2360 | 1800 | | |
| | | | P | 1,58 | 1,56 | 1,50 | 1,40 | 1,28 | 1,16 | 1,02 | | |
| | | 50 | Q | 6010 | 4940 | 4020 | 3230 | 2550 | 1970 | 1470 | | |
| | | | P | 1,89 | 1,80 | 1,69 | 1,55 | 1,40 | 1,25 | 1,11 | | |
| | H181CC | 30 | Q | 8900 | 7370 | 6050 | 4910 | 3930 | 3100 | 2400 | | |
| | | | P | 1,36 | 1,42 | 1,42 | 1,38 | 1,30 | 1,19 | 1,07 | | |
| | | 40 | Q | 7790 | 6430 | 5260 | 4250 | 3380 | 2640 | 2010 | | |
| | | | P | 1,78 | 1,75 | 1,68 | 1,57 | 1,44 | 1,29 | 1,14 | | |
| | | 50 | Q | 6710 | 5530 | 4500 | 3620 | 2860 | 2210 | 1650 | | |
| | | | P | 2,11 | 2,01 | 1,88 | 1,73 | 1,57 | 1,40 | 1,24 | | |
| H201CC | 30 | Q | 10970 | 9090 | 7450 | 6040 | 4830 | 3810 | 2940 | | | |
| | | P | 1,78 | 1,81 | 1,79 | 1,71 | 1,60 | 1,46 | 1,31 | | | |
| | 40 | Q | 9540 | 7880 | 6440 | 5200 | 4130 | 3230 | 2450 | | | |
| | | P | 2,23 | 2,17 | 2,06 | 1,92 | 1,76 | 1,58 | 1,40 | | | |
| | 50 | Q | 8180 | 6740 | 5490 | 4410 | 3480 | 2690 | 2010 | | | |
| | | P | 2,60 | 2,46 | 2,29 | 2,10 | 1,89 | 1,69 | 1,51 | | | |
| H221CC | 30 | Q | 11730 | 9720 | 7980 | 6480 | 5190 | 4100 | 3180 | | | |
| | | P | 1,80 | 1,86 | 1,86 | 1,80 | 1,70 | 1,56 | 1,42 | | | |
| | 40 | Q | 10260 | 8480 | 6930 | 5600 | 4460 | 3490 | 2660 | | | |
| | | P | 2,33 | 2,29 | 2,19 | 2,05 | 1,89 | 1,71 | 1,53 | | | |
| | 50 | Q | 8830 | 7270 | 5920 | 4760 | 3760 | 2910 | 2170 | | | |
| | | P | 2,79 | 2,66 | 2,48 | 2,28 | 2,08 | 1,87 | 1,68 | | | |
| H251CC | 30 | Q | 12600 | 10440 | 8560 | 6940 | 5560 | 4400 | 3420 | | | |
| | | P | 1,90 | 1,98 | 1,99 | 1,92 | 1,81 | 1,66 | 1,49 | | | |
| | 40 | Q | 11050 | 9120 | 7450 | 6010 | 4780 | 3750 | 2870 | | | |
| | | P | 2,52 | 2,47 | 2,36 | 2,21 | 2,02 | 1,82 | 1,61 | | | |
| | 50 | Q | 9520 | 7820 | 6350 | 5100 | 4030 | 3120 | 2340 | | | |
| | | P | 3,02 | 2,87 | 2,68 | 2,45 | 2,21 | 1,97 | 1,74 | | | |
| H281CC | 30 | Q | 14170 | 11740 | 9630 | 7820 | 6260 | 4940 | 3830 | | | |
| | | P | 2,08 | 2,14 | 2,13 | 2,06 | 1,94 | 1,79 | 1,62 | | | |
| | 40 | Q | 12540 | 10360 | 8470 | 6840 | 5440 | 4250 | 3230 | | | |
| | | P | 2,77 | 2,70 | 2,58 | 2,42 | 2,22 | 2,01 | 1,80 | | | |
| | 50 | Q | 10930 | 8990 | 7320 | 5880 | 4640 | 3570 | 2650 | | | |
| | | P | 3,32 | 3,15 | 2,94 | 2,70 | 2,45 | 2,20 | 1,96 | | | |
| H2 | H300CC | 30 | Q | 18240 | 15060 | 12280 | 9880 | 7810 | 6060 | 4570 | | |
| | | | P | 2,69 | 2,72 | 2,68 | 2,58 | 2,43 | 2,24 | 2,01 | | |
| | | 40 | Q | 15660 | 12850 | 10420 | 8310 | 6510 | 4960 | 3660 | | |
| | | | P | 3,41 | 3,30 | 3,13 | 2,92 | 2,67 | 2,38 | 2,08 | | |
| | | 50 | Q | 13210 | 10780 | 8680 | 6860 | 5310 | 3980 | 2840 | | |
| | | | P | 4,05 | 3,81 | 3,53 | 3,21 | 2,87 | 2,51 | 2,14 | | |
| | H350CC | 30 | Q | 19760 | 16180 | 13100 | 10450 | 8220 | 6350 | 4820 | | |
| | | | P | 2,80 | 2,90 | 2,89 | 2,79 | 2,62 | 2,41 | 2,17 | | |
| | | 40 | Q | 17290 | 14100 | 11350 | 9010 | 7020 | 5370 | 4000 | | |
| | | | P | 3,68 | 3,58 | 3,40 | 3,15 | 2,87 | 2,57 | 2,26 | | |
| | | 50 | Q | 14340 | 11590 | 9240 | 7250 | 5590 | 4200 | 3070 | | |
| | | | P | 4,44 | 4,16 | 3,83 | 3,46 | 3,08 | 2,70 | 2,34 | | |
| | H380CC | 30 | Q | 22670 | 18710 | 15270 | 12300 | 9760 | 7620 | 5830 | | |
| | | | P | 3,16 | 3,28 | 3,28 | 3,18 | 2,99 | 2,74 | 2,44 | | |
| | | 40 | Q | 19410 | 15960 | 12970 | 10390 | 8190 | 6330 | 4770 | | |
| | | | P | 4,13 | 4,04 | 3,85 | 3,60 | 3,29 | 2,95 | 2,61 | | |
| | | 50 | Q | 16030 | 13110 | 10590 | 8440 | 6600 | 5050 | 3740 | | |
| | | | P | 5,05 | 4,74 | 4,38 | 3,97 | 3,56 | 3,14 | 2,76 | | |
| H32 | H403CC | 30 | Q | 24060 | 19890 | 16270 | 13150 | 10470 | 8200 | 6280 | | |
| | | | P | 3,27 | 3,37 | 3,37 | 3,27 | 3,10 | 2,87 | 2,58 | | |
| | | 40 | Q | 21230 | 17460 | 14190 | 11370 | 8960 | 6900 | 5150 | | |
| | | | P | 4,25 | 4,18 | 4,02 | 3,79 | 3,49 | 3,13 | 2,74 | | |
| | | 50 | Q | 18350 | 14980 | 12070 | 9570 | 7430 | 5590 | 4020 | | |
| | | | P | 5,20 | 4,97 | 4,65 | 4,27 | 3,84 | 3,37 | 2,86 | | |
| | H503CC | 30 | Q | 30080 | 24860 | 20310 | 16400 | 13040 | 10190 | 7780 | | |
| | | | P | 4,30 | 4,36 | 4,29 | 4,09 | 3,81 | 3,46 | 3,06 | | |
| | | 40 | Q | 26350 | 21660 | 17590 | 14090 | 11090 | 8530 | 6350 | | |
| | | | P | 5,50 | 5,34 | 5,06 | 4,69 | 4,25 | 3,76 | 3,26 | | |
| | | 50 | Q | 22630 | 18480 | 14900 | 11810 | 9170 | 6910 | 4970 | | |
| | | | P | 6,59 | 6,22 | 5,75 | 5,22 | 4,65 | 4,06 | 3,47 | | |

- Funzionamento a 50 Hz
- Per funzionamento a 60 Hz, moltiplicare la resa per 1,18
- Le prestazioni si basano sulla norma europea EN12900
- Non miscelare mai olii estere con olii differenti
- Frequency rate 50 Hz
- For 60 Hz operation, data to be multiplied by 1,18
- Performance data are based on European Standard EN12900
- Never mix ester oils with different oils
- Частота эл. сети 50 Гц
- При частоте эл. сети 60 Гц, данные умножить на 1,18
- Данные по произв-типолучены согласно EN 12900
- Никогда не смешивать полиэфирные масла с др. типами масел
- Frequenz 50 Hz
- Für 60 Hz-Betrieb ist die Leistung mit 1,18 zu multiplizieren
- Leistungswerte basieren auf der europäischen Norm EN 12900
- Niemals Esteröl mit anderen Ölen vermischen

R407C

| Serie Range Серия Serie | Modello Model Модель Typ | Temp. Cond. Cond. Temp. Темп.кond. Kond. Temp. [°C] | | Q [W] | Capacità frigorifera Refrigerating capacity Холодопроизв-ть Kälteleistung | | | P [kW] | Potenza assorbita Power input Потребляемая мощность Leistungsaufnahme | | | |
|----------------------------------|-----------------------------------|---|----|-----------------|---|-------|-------|------------------|--|-------|-------|-----|
| | | | | | Temperatura evaporazione / Evaporating temperature Температура кипения / Verdampfungstemperatur [°C] | | | | | | | |
| | | | | | +10 | +5 | 0 | | -5 | -10 | -15 | -20 |
| | | | | | | | | | | | | |
| H32 | H743CC | 30 | Q | 34530 | 28640 | 23530 | 19120 | 15350 | 12130 | 9420 | | |
| | | | P | 4,86 | 4,97 | 4,90 | 4,71 | 4,42 | 4,08 | 3,73 | | |
| | | 40 | Q | 30220 | 24940 | 20370 | 16430 | 13050 | 10170 | 7720 | | |
| | | | P | 6,40 | 6,14 | 5,78 | 5,34 | 4,87 | 4,40 | 3,98 | | |
| | | 50 | Q | 25860 | 21190 | 17160 | 13690 | 10720 | 8180 | 5990 | | |
| | | | P | 7,78 | 7,20 | 6,57 | 5,92 | 5,30 | 4,74 | 4,28 | | |
| H35 | H451CC | 30 | Q | 24100 | 19930 | 16320 | 13220 | 10590 | 8360 | 6490 | | |
| | | | P | 3,78 | 3,63 | 3,46 | 3,28 | 3,08 | 2,87 | 2,65 | | |
| | | 40 | Q | 21370 | 17570 | 14290 | 11480 | 9090 | 7070 | 5370 | | |
| | | | P | 4,55 | 4,31 | 4,05 | 3,78 | 3,50 | 3,20 | 2,89 | | |
| | | 50 | Q | 18610 | 15190 | 12250 | 9740 | 7610 | 5800 | 4270 | | |
| | | | P | 5,31 | 4,96 | 4,60 | 4,23 | 3,85 | 3,45 | 3,05 | | |
| | H551CC | 30 | Q | 28910 | 23900 | 19570 | 15860 | 12700 | 10030 | 7780 | | |
| | | | P | 4,53 | 4,35 | 4,15 | 3,93 | 3,70 | 3,44 | 3,17 | | |
| | | 40 | Q | 25630 | 21070 | 17140 | 13770 | 10910 | 8480 | 6440 | | |
| | | | P | 5,46 | 5,17 | 4,86 | 4,54 | 4,19 | 3,84 | 3,47 | | |
| | | 50 | Q | 22320 | 18220 | 14690 | 11680 | 9120 | 6960 | 5120 | | |
| | | | P | 6,37 | 5,95 | 5,52 | 5,07 | 4,61 | 4,14 | 3,66 | | |
| | H701CC | 30 | Q | 33040 | 27420 | 22540 | 18330 | 14740 | 11690 | 9130 | | |
| | | | P | 5,09 | 4,88 | 4,67 | 4,43 | 4,18 | 3,92 | 3,63 | | |
| | | 40 | Q | 29160 | 24080 | 19670 | 15890 | 12660 | 9920 | 7600 | | |
| | | | P | 6,19 | 5,87 | 5,53 | 5,18 | 4,81 | 4,42 | 4,02 | | |
| | | 50 | Q | 25570 | 20990 | 17030 | 13640 | 10750 | 8280 | 6180 | | |
| | | | P | 7,34 | 6,87 | 6,39 | 5,89 | 5,38 | 4,85 | 4,30 | | |
| | H751CC | 30 | Q | 38270 | 31770 | 26120 | 21250 | 17080 | 13550 | 10570 | | |
| | | | P | 5,87 | 5,69 | 5,47 | 5,22 | 4,94 | 4,62 | 4,28 | | |
| | | 40 | Q | 33580 | 27730 | 22660 | 18310 | 14590 | 11430 | 8760 | | |
| | | | P | 7,08 | 6,76 | 6,40 | 6,02 | 5,60 | 5,15 | 4,68 | | |
| | | 50 | Q | 29210 | 23990 | 19480 | 15610 | 12310 | 9490 | 7100 | | |
| | | | P | 8,31 | 7,83 | 7,31 | 6,77 | 6,20 | 5,60 | 4,97 | | |
| | H1002CC | 30 | Q | 47880 | 39790 | 32760 | 26700 | 21520 | 17130 | 13430 | | |
| | | | P | 7,38 | 7,28 | 7,08 | 6,79 | 6,41 | 5,97 | 5,46 | | |
| | | 40 | Q | 41570 | 34430 | 28250 | 22920 | 18370 | 14500 | 11210 | | |
| | | | P | 9,02 | 8,69 | 8,26 | 7,74 | 7,16 | 6,52 | 5,82 | | |
| | | 50 | Q | 34950 | 28800 | 23490 | 18940 | 15040 | 11720 | 8870 | | |
| | | | P | 10,84 | 10,22 | 9,52 | 8,74 | 7,90 | 7,01 | 6,08 | | |
| | H1003CC | 30 | Q | 54900 | 45620 | 37560 | 30610 | 24670 | 19640 | 15400 | | |
| | | | P | 8,52 | 8,41 | 8,17 | 7,84 | 7,40 | 6,89 | 6,31 | | |
| | | 40 | Q | 47660 | 39480 | 32390 | 26290 | 21070 | 16620 | 12860 | | |
| | | | P | 10,42 | 10,03 | 9,53 | 8,94 | 8,27 | 7,52 | 6,72 | | |
| | | 50 | Q | 40070 | 33020 | 26940 | 21710 | 17250 | 13440 | 10180 | | |
| | | | P | 12,52 | 11,81 | 10,99 | 10,10 | 9,13 | 8,10 | 7,02 | | |
| H41 | H1201CC | 30 | Q | 55380 | 45930 | 37730 | 30670 | 24620 | 19500 | 15190 | | |
| | | | P | 7,96 | 7,97 | 7,80 | 7,47 | 7,02 | 6,48 | 5,88 | | |
| | | 40 | Q | 48780 | 40240 | 32850 | 26500 | 21070 | 16480 | 12590 | | |
| | | | P | 9,95 | 9,60 | 9,10 | 8,48 | 7,78 | 7,02 | 6,24 | | |
| | | 50 | Q | 42600 | 34920 | 28300 | 22630 | 17790 | 13680 | 10190 | | |
| | | | P | 11,61 | 10,95 | 10,16 | 9,29 | 8,37 | 7,42 | 6,49 | | |
| | H1501CC | 30 | Q | 62880 | 52270 | 43040 | 35090 | 28280 | 22490 | 17610 | | |
| | | | P | 9,77 | 9,50 | 9,12 | 8,63 | 8,06 | 7,42 | 6,72 | | |
| | | 40 | Q | 55480 | 45840 | 37490 | 30310 | 24170 | 18970 | 14570 | | |
| | | | P | 11,60 | 11,18 | 10,62 | 9,93 | 9,13 | 8,24 | 7,28 | | |
| | | 50 | Q | 48790 | 40040 | 32490 | 26010 | 20480 | 15780 | 11780 | | |
| | | | P | 13,25 | 12,67 | 11,93 | 11,03 | 10,01 | 8,88 | 7,64 | | |
| | H2001CC | 30 | Q | 71320 | 59380 | 49000 | 40050 | 32380 | 25860 | 20360 | | |
| | | | P | 10,89 | 10,57 | 10,13 | 9,59 | 8,99 | 8,34 | 7,66 | | |
| | | 40 | Q | 63300 | 52510 | 43140 | 35070 | 28160 | 22260 | 17240 | | |
| | | | P | 13,57 | 12,87 | 12,09 | 11,24 | 10,35 | 9,44 | 8,54 | | |
| | | 50 | Q | 55020 | 45400 | 37070 | 29910 | 23770 | 18520 | 14010 | | |
| | | | P | 15,78 | 14,73 | 13,62 | 12,47 | 11,32 | 10,18 | 9,08 | | |
| | H2201CC | 30 | Q | 79620 | 66280 | 54690 | 44680 | 36110 | 28830 | 22690 | | |
| | | | P | 11,20 | 11,52 | 11,46 | 11,08 | 10,48 | 9,71 | 8,85 | | |
| | | 40 | Q | 70670 | 58620 | 48160 | 39140 | 31400 | 24810 | 19210 | | |
| | | | P | 14,77 | 14,44 | 13,80 | 12,93 | 11,89 | 10,78 | 9,65 | | |
| | | 50 | Q | 61450 | 50700 | 41390 | 33380 | 26500 | 20620 | 15580 | | |
| | | | P | 17,41 | 16,52 | 15,41 | 14,13 | 12,77 | 11,40 | 10,09 | | |
| | H5 | H2500CC | 30 | Q | 92090 | 76510 | 62990 | 51350 | 41390 | 32930 | 25770 | |
| | | | | P | 13,53 | 13,40 | 13,11 | 12,67 | 12,09 | 11,36 | 10,51 | |
| | | | 40 | Q | 80980 | 67080 | 55040 | 44690 | 35830 | 28280 | 21850 | |
| | | | | P | 16,97 | 16,38 | 15,64 | 14,75 | 13,73 | 12,57 | 11,28 | |
| | | | 50 | Q | 69950 | 57720 | 47160 | 38100 | 30350 | 23710 | 18010 | |
| | | | | P | 20,17 | 19,08 | 17,83 | 16,45 | 14,93 | 13,28 | 11,52 | |
| | | H3000CC | 30 | Q | 102890 | 85330 | 70110 | 57030 | 45860 | 36400 | 28430 | |
| | | | | P | 16,00 | 15,64 | 15,17 | 14,58 | 13,86 | 13,02 | 12,03 | |
| | | | 40 | Q | 90590 | 74840 | 61240 | 49580 | 39630 | 31180 | 24020 | |
| | | | | P | 19,59 | 18,82 | 17,93 | 16,91 | 15,75 | 14,44 | 12,97 | |
| | | | 50 | Q | 77740 | 63890 | 51990 | 41820 | 33160 | 25810 | 19540 | |
| | | | | P | 22,96 | 21,71 | 20,32 | 18,78 | 17,09 | 15,23 | 13,20 | |

- Funzionamento a 50 Hz
- Per funzionamento a 60 Hz, moltiplicare la resa per 1,18
- Le prestazioni si basano sulla norma europea EN12900
- Non miscelare mai olii estere con olii differenti

- Frequency rate 50 Hz
- For 60 Hz operation, data to be multiplied by 1,18
- Performance data are based on European Standard EN12900
- Never mix ester oils with different oils

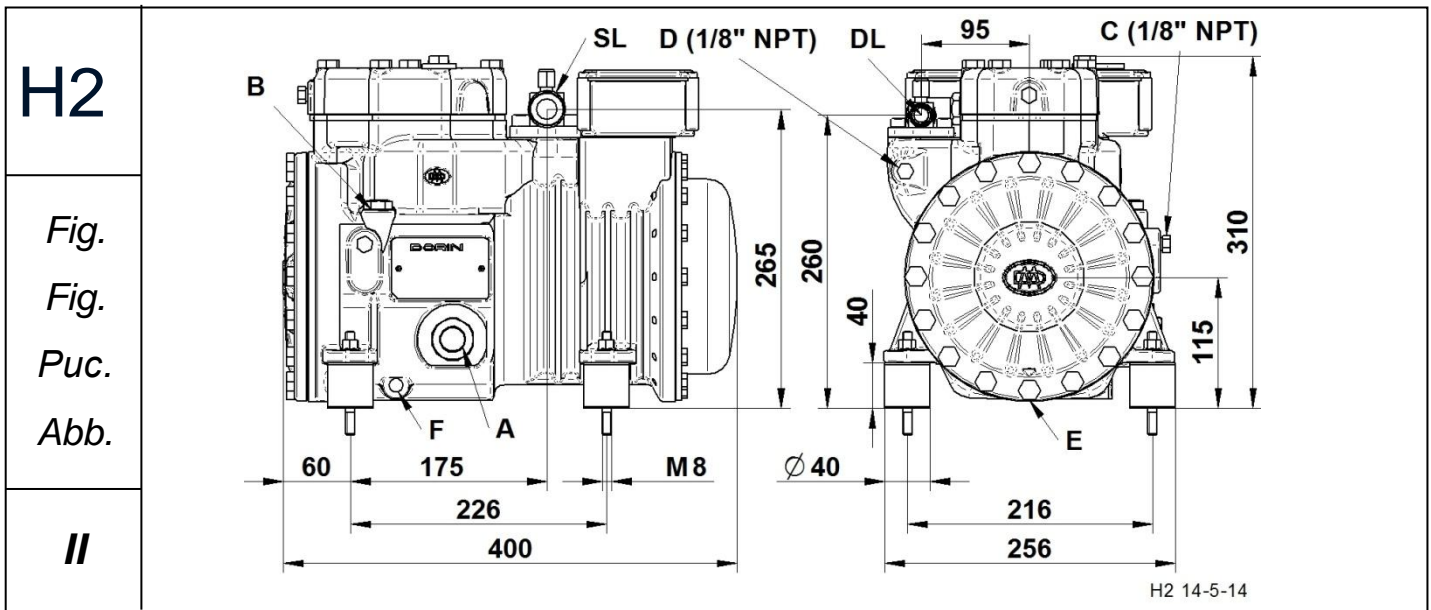
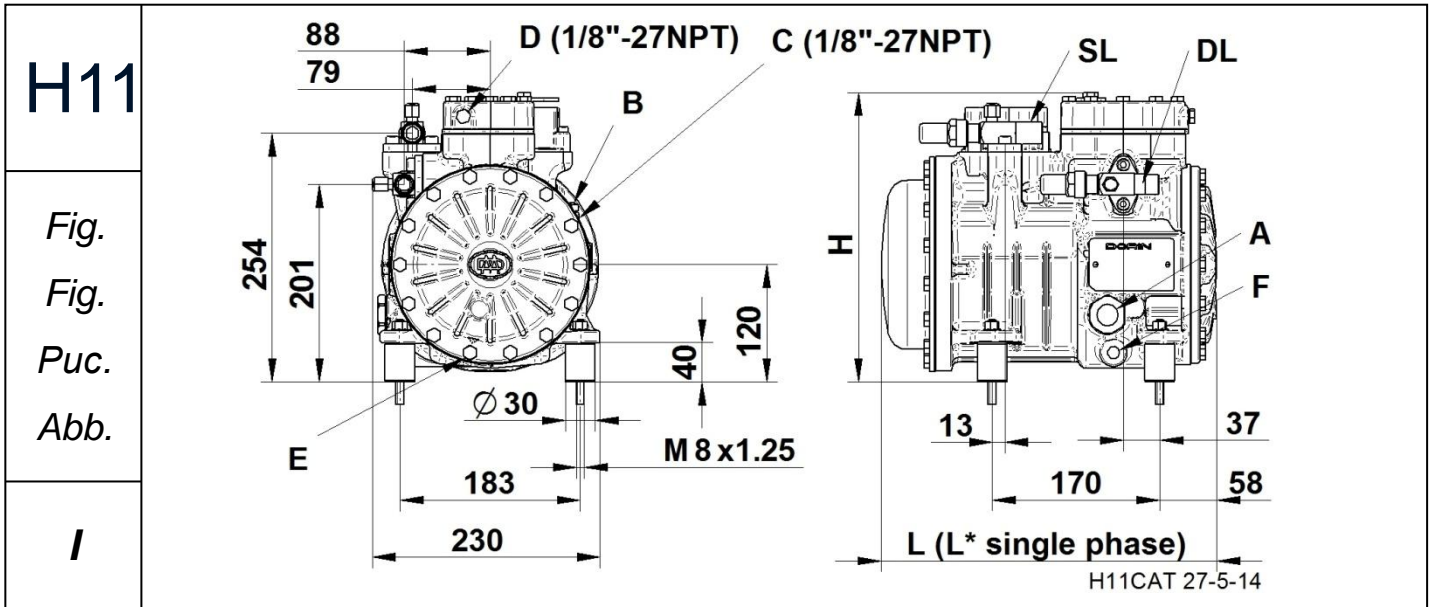
- Частота эл. сети 50 Гц
- При частоте эл. сети 60 Гц, данные умножить на 1,18
- Данные по произв-ти получены согласно EN 12900
- Никогда не смешивать полиэфирные масла с др. типами масел

- Frequenz 50 Hz
- Für 60 Hz-Betrieb ist die Leistung mit 1,18 zu multiplizieren
- Leistungswerte basieren auf der europäischen Norm EN 12900
- Niemals Esteröl mit anderen Ölen vermischen

R407C

| Serie Range Серия Serie | Modello Model Модель Typ | Temp. Cond. Cond. Temp. Темп.кond. Kond. Temp. [°C] | | Capacità frigorifera Refrigerating capacity Холодопроизв-ть Kälteleistung | | | P [kW] | Potenza assorbita Power input Потребляемая мощность Leistungsaufnahme | | | |
|----------------------------------|-----------------------------------|---|--------|---|--------|--------|------------------|--|--------|-------|-----|
| | | | | Temperatura evaporazione / Evaporating temperature Температура кипения / Verdampfungstemperatur [°C] | | | | | | | |
| | | | | +10 | +5 | 0 | | -5 | -10 | -15 | -20 |
| | | | | Q | Q | Q | | Q | Q | Q | Q |
| H5 | H3200CC | 30 | Q | 112450 | 93150 | 76400 | 61970 | 49630 | 39130 | 30250 | |
| | | | P | 16,14 | 15,91 | 15,57 | 15,13 | 14,58 | 13,93 | 13,17 | |
| | | 40 | Q | 98670 | 81430 | 66510 | 53680 | 42700 | 33340 | 25360 | |
| | P | | 19,85 | 19,15 | 18,35 | 17,45 | 16,46 | 15,38 | 14,20 | | |
| | H3400CC | 30 | Q | 124290 | 103260 | 85020 | 69310 | 55870 | 44450 | 34790 | |
| | | | P | 18,08 | 17,95 | 17,64 | 17,15 | 16,46 | 15,57 | 14,47 | |
| 40 | | Q | 109300 | 90530 | 74290 | 60310 | 48360 | 38170 | 29490 | | |
| | P | 22,57 | 21,89 | 21,02 | 19,95 | 18,66 | 17,15 | 15,42 | | | |
| H6 | H3500CC | 30 | Q | 138130 | 114760 | 94490 | 77030 | 62090 | 49390 | 38660 | |
| | | | P | 20,09 | 19,95 | 19,61 | 19,06 | 18,29 | 17,30 | 16,08 | |
| | | 40 | Q | 121470 | 100610 | 82560 | 67030 | 53750 | 42420 | 32770 | |
| | P | | 25,08 | 24,33 | 23,36 | 22,17 | 20,74 | 19,07 | 17,14 | | |
| | H4000CC | 30 | Q | 104930 | 86570 | 70740 | 57150 | 45520 | 35570 | 27010 | |
| | | | P | 30,00 | 28,53 | 26,82 | 24,86 | 22,66 | 20,19 | 17,45 | |
| 40 | | Q | 154340 | 127990 | 105160 | 85540 | 68790 | 54600 | 42640 | | |
| | P | 23,68 | 23,24 | 22,61 | 21,76 | 20,71 | 19,44 | 17,96 | | | |
| H4500CC | 30 | Q | 135880 | 112260 | 91860 | 74360 | 59440 | 46770 | 36030 | | |
| | | P | 29,13 | 28,07 | 26,78 | 25,28 | 23,54 | 21,57 | 19,36 | | |
| | 40 | Q | 116610 | 95830 | 77980 | 62720 | 49740 | 38710 | 29310 | | |
| P | | 34,21 | 32,40 | 30,35 | 28,07 | 25,53 | 22,74 | 19,69 | | | |
| H7 | H5000CC | 30 | Q | 165460 | 137600 | 113420 | 92600 | 74790 | 59660 | 46850 | |
| | | | P | 26,71 | 26,12 | 25,34 | 24,35 | 23,15 | 21,74 | 20,10 | |
| | | 40 | Q | 146510 | 121520 | 99890 | 81290 | 65380 | 51810 | 40240 | |
| | P | | 32,12 | 30,86 | 29,40 | 27,72 | 25,82 | 23,69 | 21,33 | | |
| | H5500CC | 30 | Q | 127580 | 105480 | 86420 | 70050 | 56050 | 44070 | 33770 | |
| | | | P | 37,84 | 35,79 | 33,52 | 31,03 | 28,31 | 25,35 | 22,14 | |
| 40 | | Q | 183580 | 152660 | 125850 | 102740 | 82980 | 66190 | 51980 | | |
| | P | 29,64 | 28,99 | 28,11 | 27,02 | 25,69 | 24,12 | 22,30 | | | |
| H8001CC | H6000CC | 30 | Q | 162560 | 134830 | 110830 | 90190 | 72540 | 57480 | 44650 | |
| | | | P | 35,64 | 34,24 | 32,62 | 30,75 | 28,64 | 26,28 | 23,66 | |
| | | 40 | Q | 141550 | 117030 | 95880 | 77720 | 62190 | 48900 | 37470 | |
| | P | | 41,98 | 39,71 | 37,19 | 34,43 | 31,41 | 28,12 | 24,57 | | |
| | H7500CC | 30 | Q | 194500 | 161750 | 133330 | 108860 | 87920 | 70130 | 55070 | |
| | | | P | 31,08 | 30,40 | 29,49 | 28,34 | 26,94 | 25,30 | 23,39 | |
| 40 | | Q | 172230 | 142850 | 117430 | 95560 | 76850 | 60900 | 47310 | | |
| | P | 37,38 | 35,92 | 34,21 | 32,25 | 30,04 | 27,56 | 24,82 | | | |
| H9000CC | H6500CC | 30 | Q | 149980 | 123990 | 101590 | 82350 | 65890 | 51810 | 39700 | |
| | | | P | 44,03 | 41,65 | 39,01 | 36,11 | 32,94 | 29,50 | 25,77 | |
| | | 40 | Q | 225160 | 187680 | 155140 | 127040 | 102850 | 82070 | 64170 | |
| | P | | 33,07 | 33,46 | 33,00 | 31,82 | 30,07 | 27,89 | 25,42 | | |
| | H7000CC | 30 | Q | 198850 | 165310 | 136190 | 110970 | 89140 | 70200 | 53610 | |
| | | | P | 41,72 | 40,64 | 38,83 | 36,44 | 33,61 | 30,47 | 27,17 | |
| 40 | | Q | 172240 | 142620 | 116880 | 94540 | 75050 | 57920 | 42630 | | |
| | P | 49,43 | 46,92 | 43,83 | 40,27 | 36,41 | 32,37 | 28,29 | | | |
| H8001CC | H7500CC | 30 | Q | 246760 | 205710 | 170070 | 139270 | 112750 | 89960 | 70320 | |
| | | | P | 36,87 | 37,30 | 36,78 | 35,47 | 33,52 | 31,09 | 28,34 | |
| | | 40 | Q | 218010 | 181220 | 149290 | 121650 | 97730 | 76990 | 58840 | |
| | P | | 46,51 | 45,30 | 43,28 | 40,62 | 37,46 | 33,96 | 30,29 | | |
| | H8001CC | 30 | Q | 188890 | 156370 | 128140 | 103650 | 82330 | 63620 | 46960 | |
| | | | P | 55,10 | 52,31 | 48,85 | 44,89 | 40,58 | 36,08 | 31,54 | |
| 40 | | Q | 268360 | 223740 | 184990 | 151500 | 122650 | 97850 | 76470 | | |
| | P | 40,66 | 41,14 | 40,57 | 39,12 | 36,97 | 34,29 | 31,26 | | | |
| H9000CC | H8001CC | 30 | Q | 237160 | 197140 | 162400 | 132330 | 106320 | 83780 | 64080 | |
| | | | P | 51,29 | 49,96 | 47,74 | 44,80 | 41,31 | 37,46 | 33,41 | |
| | | 40 | Q | 205550 | 170120 | 139390 | 112760 | 89600 | 69310 | 51290 | |
| | P | | 60,77 | 57,69 | 53,88 | 49,51 | 44,76 | 39,79 | 34,79 | | |
| | H9000CC | 30 | Q | 291610 | 237590 | 192850 | 155990 | 125670 | 100510 | 79140 | |
| | | | P | 49,64 | 48,98 | 47,03 | 44,14 | 40,65 | 36,90 | 33,25 | |
| 40 | | Q | 258910 | 210870 | 171090 | 138190 | 110810 | 87590 | 67150 | | |
| | P | 59,58 | 57,02 | 53,34 | 48,90 | 44,02 | 39,07 | 34,38 | | | |
| 50 | Q | 225100 | 183560 | 149280 | 120870 | 96980 | 76230 | 57260 | | | |
| | P | 68,79 | 64,54 | 59,35 | 53,56 | 47,52 | 41,57 | 36,06 | | | |

- Funzionamento a 50 Hz
- Per funzionamento a 60 Hz, moltiplicare la resa per 1,18
- Le prestazioni si basano sulla norma europea EN12900
- Non miscelare mai olii estere con olii differenti
- Frequency rate 50 Hz
- For 60 Hz operation, data to be multiplied by 1,18
- Performance data are based on European Standard EN12900
- Never mix ester oils with different oils
- Частота эл. сети 50 Гц
- При частоте эл. сети 60 Гц, данные умножить на 1,18
- Данные по произв-ти получены согласно EN 12900
- Никогда не смешивать полиэфирные масла с др. типами масел
- Frequenz 50 Hz
- Für 60 Hz-Betrieb ist die Leistung mit 1,18 zu multiplizieren
- Leistungswerte basieren auf der europäischen Norm EN 12900
- Niemals Esteröl mit anderen Ölen vermischen

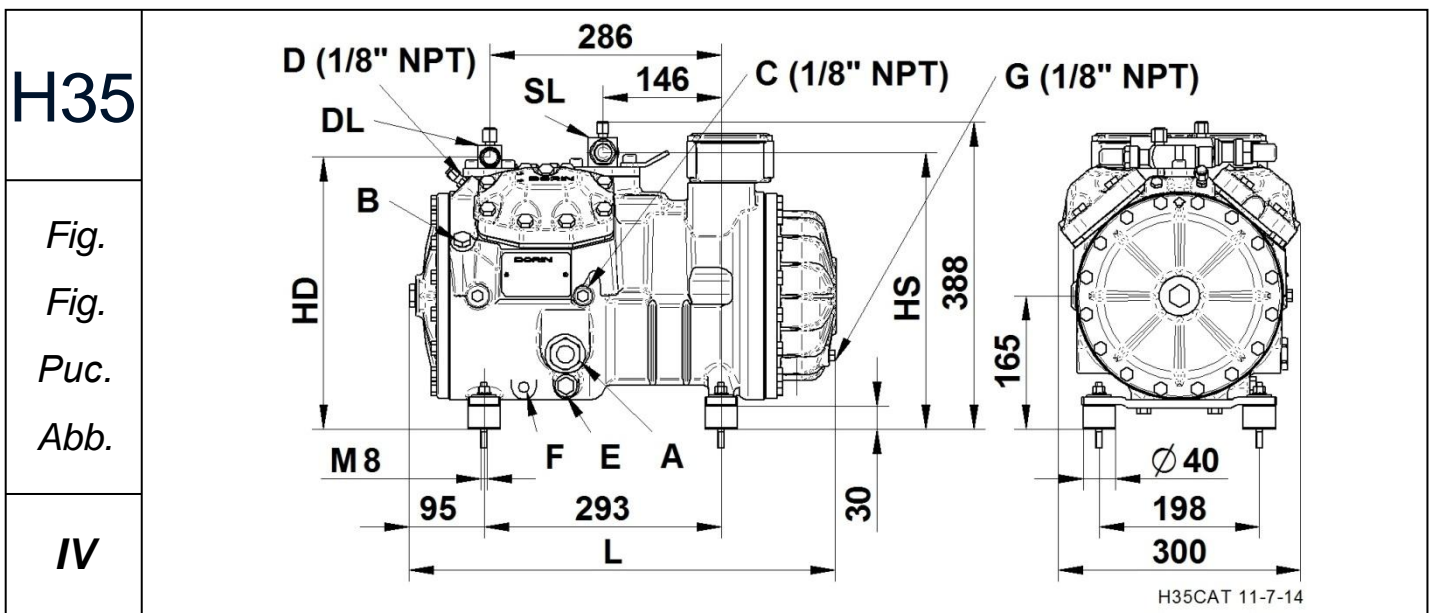
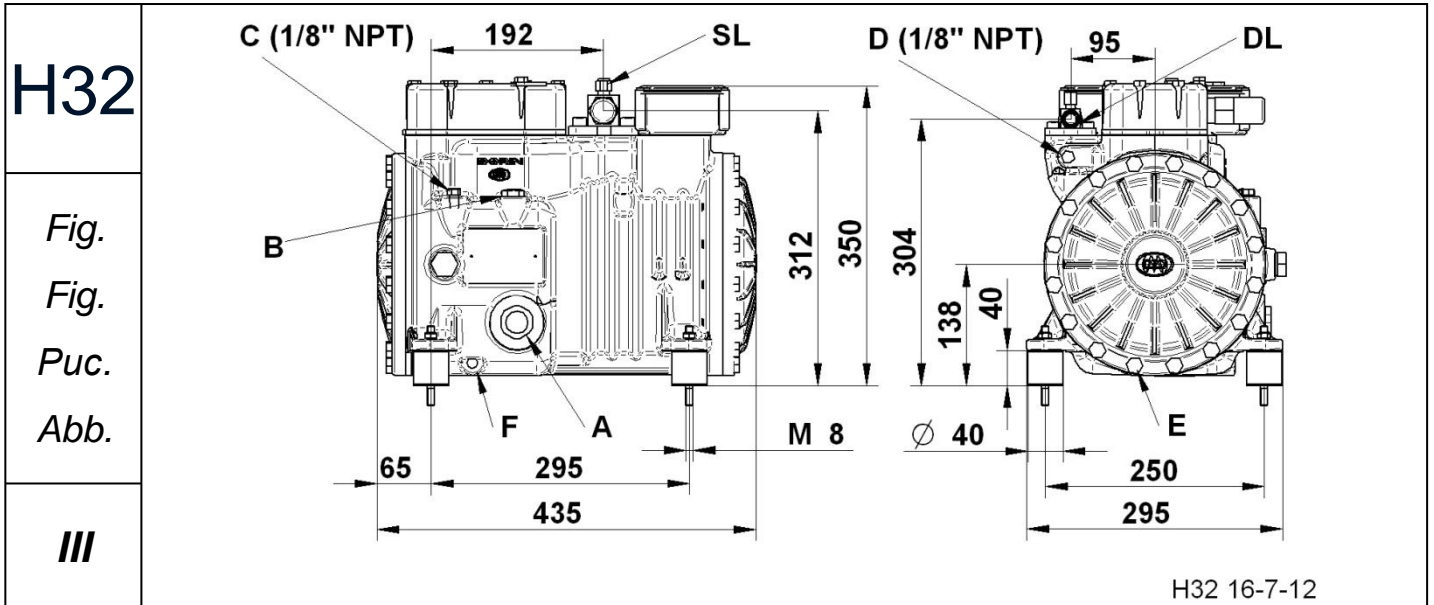


| Serie Range Серия Serie | Modello Model Модель Typ | Figura Figure Рисунок Abbildung | L | L* | H |
|----------------------------------|-----------------------------------|--|------|------|------|
| | | | [mm] | [mm] | [mm] |
| H11 | H51CS | I | 291 | 305 | 286 |
| | H80CC | I | 291 | 320 | 286 |
| | H80CS | I | 291 | 320 | 286 |
| | H101CC | I | 305 | 328 | 286 |
| | H101CS | I | 305 | 328 | 286 |
| | H151CC | I | 305 | 343 | 286 |
| | H151CS | I | 305 | 343 | 286 |
| | H181CC | I | 321 | 360 | 286 |
| | H181CS | I | 325 | 363 | 291 |

| Serie Range Серия Serie | Modello Model Модель Typ | Figura Figure Рисунок Abbildung | L | L* | H |
|----------------------------------|-----------------------------------|--|------|------|------|
| | | | [mm] | [mm] | [mm] |
| H11 | H201CC | I | 325 | 363 | 291 |
| | H201CS | I | 325 | 363 | 291 |
| | H221CC | I | 325 | 363 | 291 |
| | H221CS | I | 325 | 363 | 291 |
| | H251CC | I | 340 | 363 | 291 |
| | H251CS | I | 325 | 363 | 294 |
| | H281CC | I | 340 | 363 | 294 |
| | H281SB | I | 325 | --- | 315 |
| | H281CS | I | 340 | --- | 315 |

| Serie Range Серия Serie | Modello Model Модель Typ | Figura Figure Рисунок Abbildung |
|----------------------------------|-----------------------------------|--|
| | | |
| H300CC | II | |
| H300CS | II | |
| H350CC | II | |
| H350SB | II | |
| H380CC | II | |
| H380SB | II | |
| H390CS | II | |
| H392CS | II | |

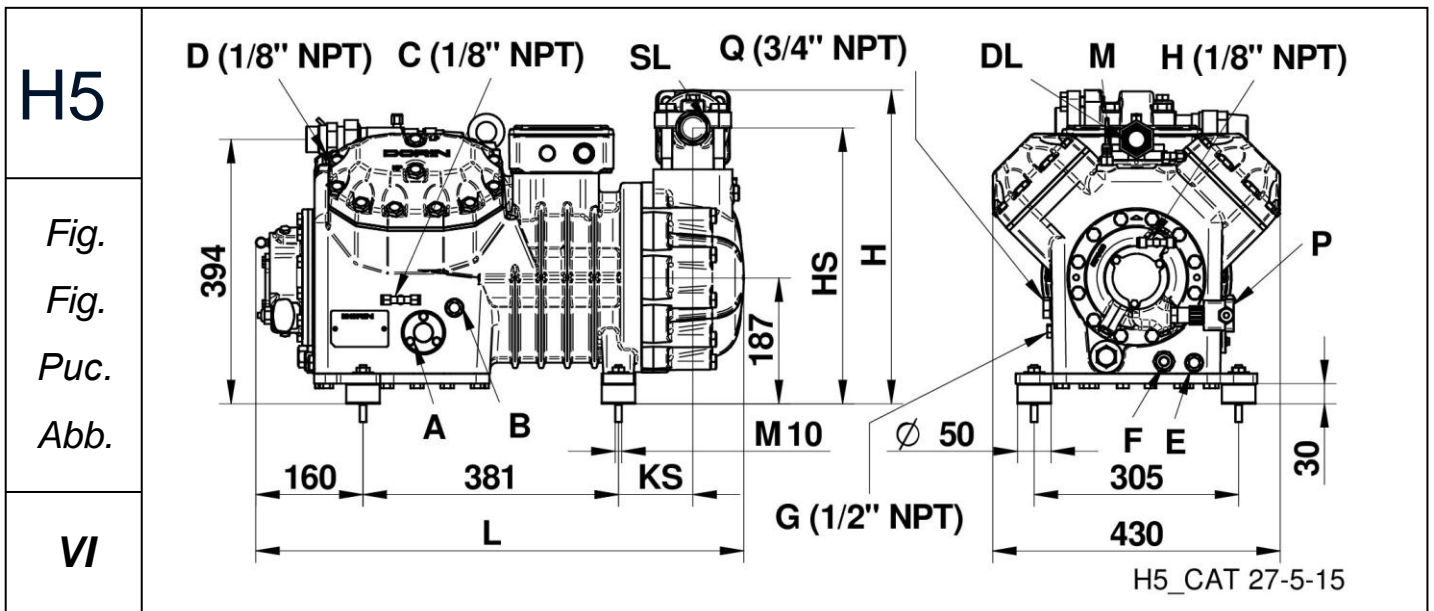
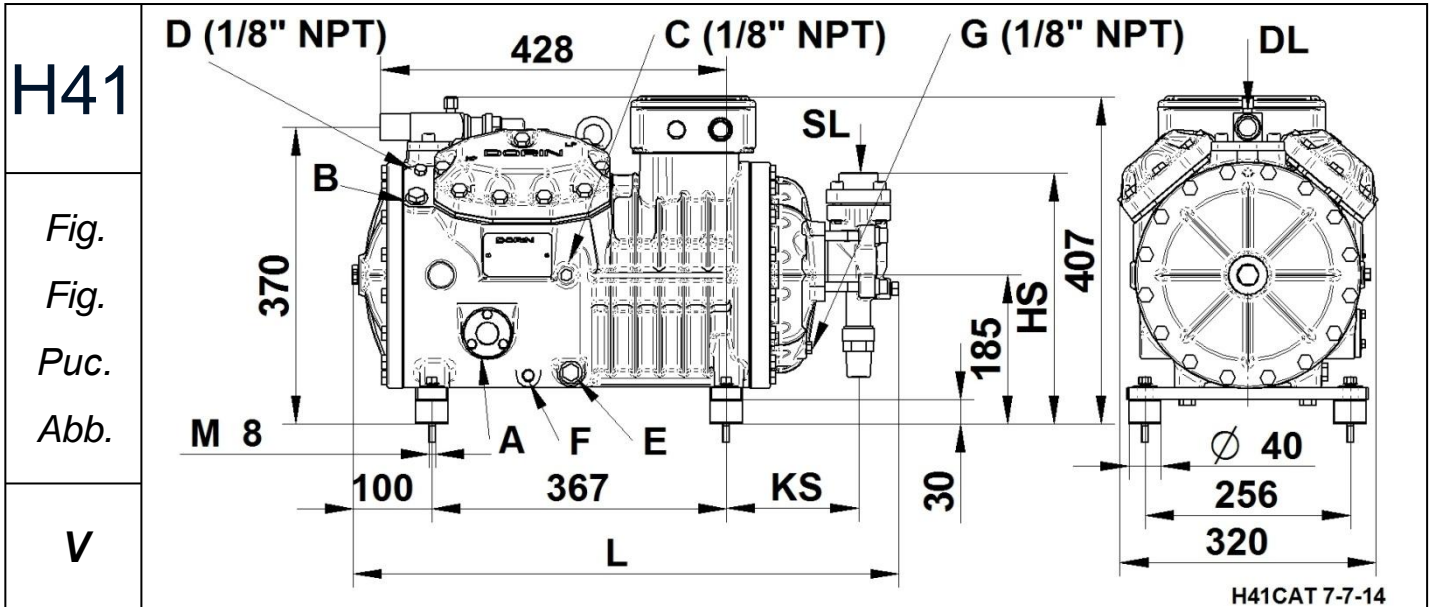
| | | | |
|---|---|---|--|
| A - Spia Olio B - Tappo carica Olio C - Presa Bassa Pres. D - Presa Alta Pres. E - Tappo scarica olio F - Resistenza carter DL - Rubinetto Compressione SL - Rubinetto Aspirazione | A - Oil sight B - Oil charge plug C - Low pressure tap D - High pressure tap E - Oil drain plug F - Crankcase heater DL - Discharge service valve SL - Suction service valve | A - Смотр. стекло по маслу B - Заглушка (запр. маслом) C - Заглушка (всасывание, НД) D - Заглушка (нагнетание, ВД) E - Заглушка (слив масла) F - ТЭН подогрева картера DL - Вентиль (нагнетание) SL - Вентиль (всасывание) | A - Ölschauglas B - Ölfüllstopfen C - Anschluss Niederdruck D - Anschluss Hochdruck E - Ölablaß F - Ölsumpfheizung DL - Druckabsperrventil SL - Saugabsperrventil |
|---|---|---|--|



| Serie Range Серия Serie | Modello Model Модель Typ | Figura Figure Рисунок Abbildung |
|----------------------------------|-----------------------------------|--|
| H32 | H403CC | III |
| | H403CS | III |
| | H503CC | III |
| | H503CS | III |
| | H743CC | III |

| Serie Range Серия Serie | Modello Model Модель Typ | Figura Figure Рисунок Abbildung | L | HS | HD |
|----------------------------------|-----------------------------------|--|------|------|------|
| | | | [mm] | [mm] | [mm] |
| H35 | H401CS | IV | 480 | 344 | 336 |
| | H451CC | IV | 480 | 344 | 336 |
| | H451CS | IV | 480 | 347 | 336 |
| | H551CC | IV | 480 | 347 | 336 |
| | H551CS | IV | 480 | 347 | 340 |
| | H701CC | IV | 480 | 347 | 340 |
| | H701CS | IV | 480 | 347 | 340 |
| | H751CC | IV | 480 | 347 | 340 |
| | H751CS | IV | 480 | 347 | 340 |
| | H1002CC | IV | 530 | 347 | 340 |
| | H801CS | IV | 480 | 347 | 340 |
| | H1003CC | IV | 530 | 347 | 340 |

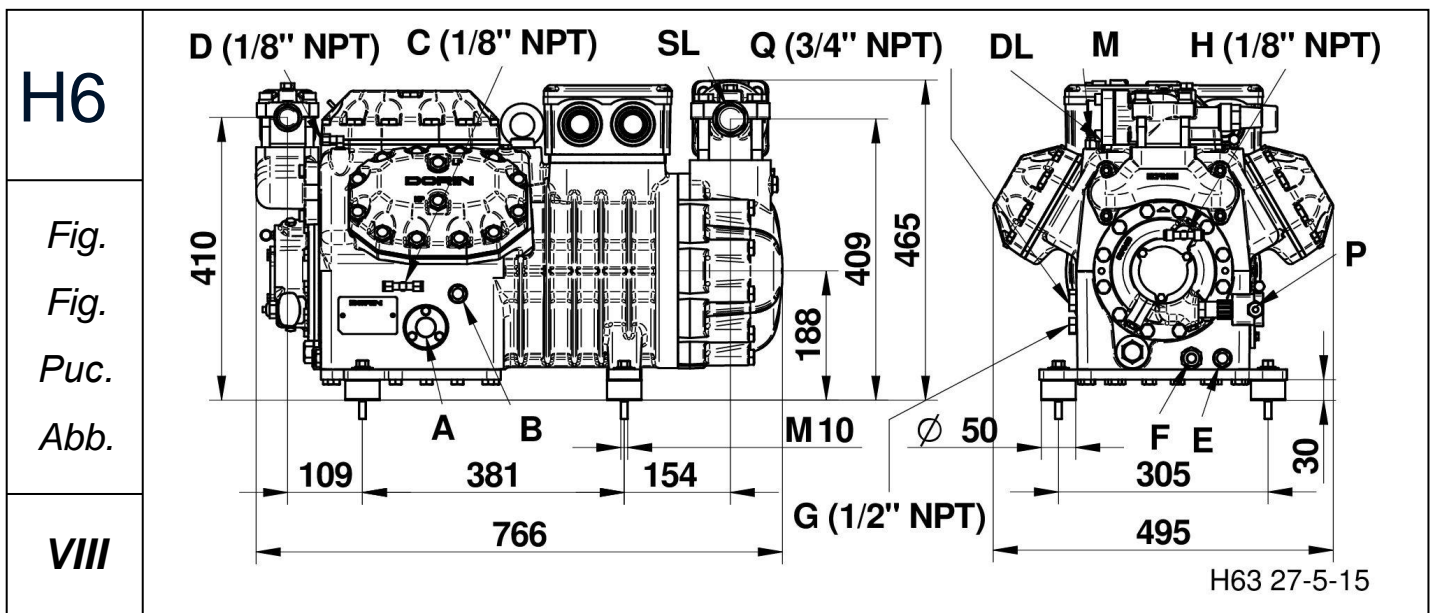
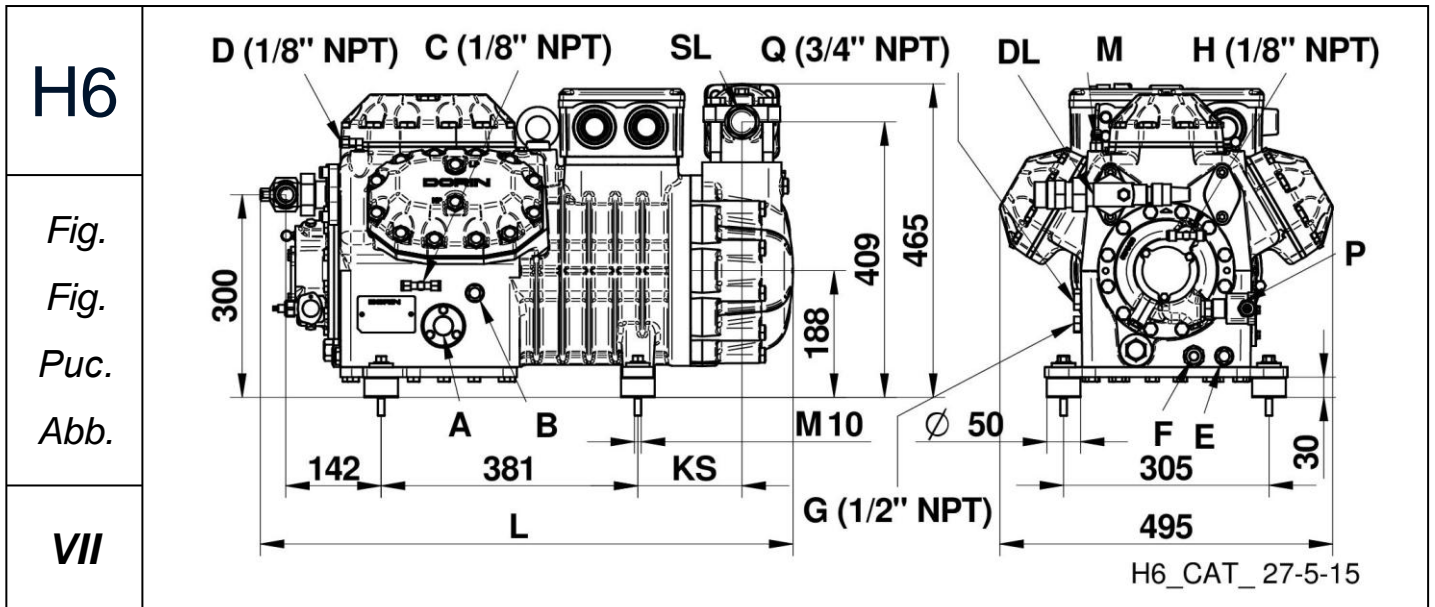
| | | | |
|---|---|---|---|
| A - Spia Olio B - Tappo carica Olio C - Presa Bassa Pres. D - Presa Alta Pres. E - Tappo scarica olio F - Resistenza carter G - Tappo ritorno olio DL - Rubinetto Compressione SL - Rubinetto Aspirazione | A - Oil sight B - Oil charge plug C - Low pressure tap D - High pressure tap E - Oil drain plug F - Crankcase heater G - Oil return DL - Discharge service valve SL - Suction service valve | A - Смотр.стекло по маслу B - Заглушка (запр.маслом) C - Заглушка (всасывание, НД) D - Заглушка (нагнетание, ВД) E - Заглушка (слив масла) F - ТЭН подогрева картера G - Заглушка (возвр.масла) DL - Вентиль (нагнетание) SL - Вентиль (всасывание) | A - Ölschauglas B - Ölfüllstopfen C - Anschluss Niederdruck D - Anschluss Hochdruck E - Ölablaß F - Ölsumpfheizung G - Ölrückführung DL - Druckabsperrventil SL - Saugabsperrventil |
|---|---|---|---|



| Serie Range Серия Serie | Modello Model Модель Typ | Figura Figure Рисунок Abbildung | L | KS | HS |
|----------------------------------|-----------------------------------|--|------|------|------|
| | | | [mm] | [mm] | [mm] |
| H41 | H851CS | V | 650 | 143 | 254 |
| | H1201CC | V | 650 | 143 | 254 |
| | H1001CS | V | 650 | 143 | 254 |
| | H1501CC | V | 685 | 166 | 313 |
| | H1501CS | V | 650 | 143 | 254 |
| | H2001CC | V | 685 | 166 | 313 |
| | H1601CS | V | 685 | 166 | 313 |
| | H2201CC | V | 685 | 166 | 313 |

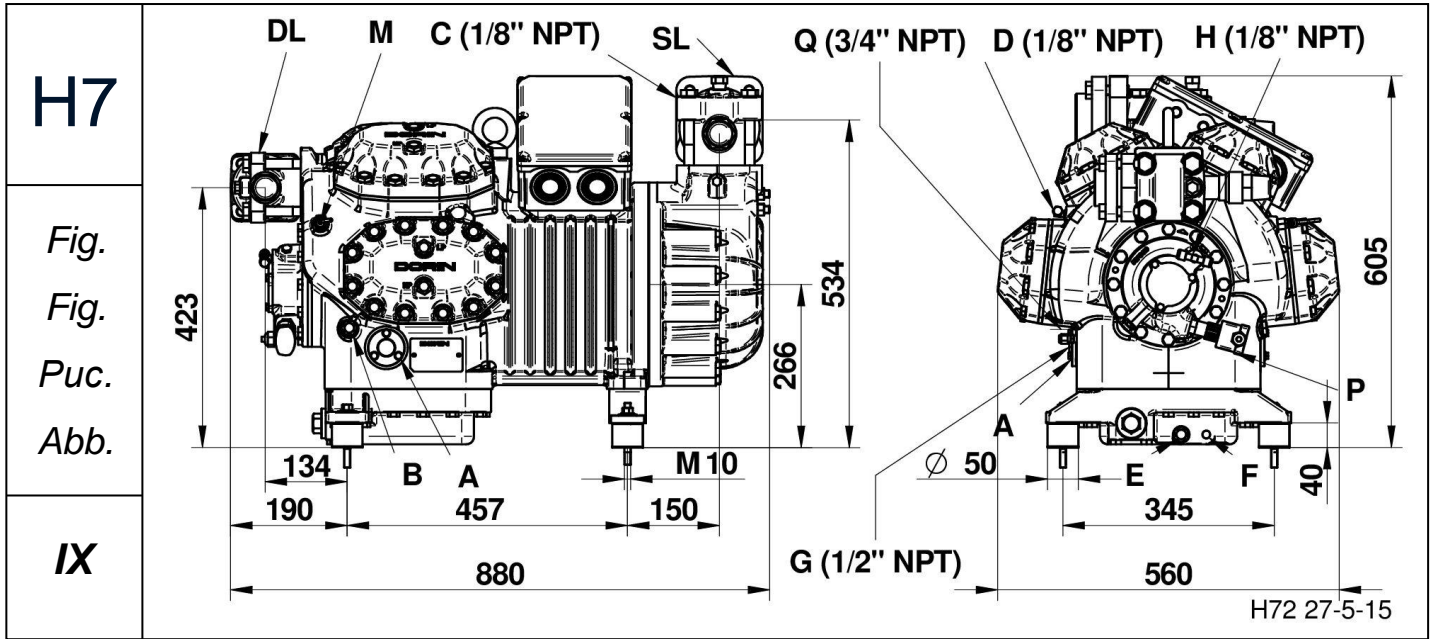
| Serie Range Серия Serie | Modello Model Модель Typ | Figura Figure Рисунок Abbildung | L | H | KS | HS |
|----------------------------------|-----------------------------------|--|------|------|------|------|
| | | | [mm] | [mm] | [mm] | [mm] |
| H5 | H2000CS | VI | 705 | 445 | 84 | 392 |
| | H2500CC | VI | 728 | 470 | 111 | 410 |
| | H2500CS | VI | 708 | 470 | 91 | 410 |
| | H3000CC | VI | 728 | 470 | 111 | 410 |
| | H2700CS | VI | 708 | 470 | 91 | 410 |
| | H3200CC | VI | 728 | 470 | 111 | 410 |
| | H2900CS | VI | 708 | 470 | 91 | 410 |
| | H3400CC | VI | 728 | 470 | 111 | 410 |

| | | | |
|-------------------------------|-------------------------------|-----------------------------------|------------------------------|
| A - Spia Olio | A - Oil sight | A - Смотр.стекло по маслу | A - Ölschauglas |
| B - Tappo carica Olio | B - Oil charge plug | B - Заглушка (запр.маслом) | B - Ölfüllstopfen |
| C - Presa Bassa Pres. | C - Low pressure tap | C - Заглушка (всасывание, НД) | C - Anschluss Niederdruck |
| D - Presa Alta Pres. | D - High pressure tap | D - Заглушка (нагнетание, ВД) | D - Anschluss Hochdruck |
| E - Tappo scarica olio | E - Oil drain plug | E - Заглушка (слив масла) | E - Ötablaß |
| F - Resistenza carter | F - Crankcase heater | F - ТЭН подогрева картера | F - Ölumpfheizung |
| G - Tappo ritorno olio | G - Oil return | G - Заглушка (возвр.масла) | G - Ölrückführung |
| H - Presa alta press. pompa | H - Oil pressure tap | H - Загл.реле контроля смазки_РКС | H - Öldruckanschluss |
| M - Sens. max temp. mand. | M - Max disch. temp. sensor | M - Датчик темп-ры нагн. газа | M - Druckgasfühler |
| P - Press. diff. olio elettr. | P - Oil diff. pressure switch | P - Электрон. РКС | P - Öldifferenzdruckschalter |
| Q - Equalizzazione gas | Q - Gas equalisation | Q - Выравнивание по газу | Q - Gasausgleich |
| DL - Rubinetto Compressione | DL - Discharge service valve | DL - Вентиль (нагнетание) | DL - Druckabsperventil |
| SL - Rubinetto Aspirazione | SL - Suction service valve | SL - Вентиль (всасывание) | SL - Saugabsperventil |



| Serie Range Серия Serie | Modello Model Модель Typ | Figura Figure Рисунок Abbildung | L | KS |
|----------------------------------|-----------------------------------|--|------|------|
| | | | [mm] | [mm] |
| H6 | H3000CS | VII | 771 | 134 |
| | H3500CC | VII | 791 | 154 |
| | H3500CS | VII | 771 | 134 |
| | H4000CC | VII | 791 | 154 |
| | H4000CS | VIII | | |
| | H4500CC | VIII | | |
| | H4500CS | VIII | | |
| | H5000CC | VIII | | |

| | | | |
|-------------------------------|-------------------------------|-----------------------------------|------------------------------|
| A - Spia Olio | A - Oil sight | A - Смотр.стекло по маслу | A - Ölschauglas |
| B - Tappo carica Olio | B - Oil charge plug | B - Заглушка (запр.маслом) | B - Ölfüllstopfen |
| C - Presa Bassa Pres. | C - Low pressure tap | C - Заглушка (всасывание, НД) | C - Anschluss Niederdruck |
| D - Presa Alta Pres. | D - High pressure tap | D - Заглушка (нагнетание, ВД) | D - Anschluss Hochdruck |
| E - Tappo scarica olio | E - Oil drain plug | E - Заглушка (слив масла) | E - Ölablaß |
| F - Resistenza carter | F - Crankcase heater | F - ТЭН подогрева картера | F - Ölsumpfheizung |
| G - Tappo ritorno olio | G - Oil return | G - Заглушка (возвр. масла) | G - Ölrückführung |
| H - Presa alta press. pompa | H - Oil pressure tap | H - Загл.реле контроля смазки_РКС | H - Öldruckanschluss |
| M - Sens. max temp. mand. | M - Max disch. temp. sensor | M - Датчик темп-ры нагн.газа | M - Druckgasfühler |
| P - Press. diff. olio elettr. | P - Oil diff. pressure switch | P - Электрон. РКС | P - Öldifferenzdruckschalter |
| Q - Equalizzazione gas | Q - Gas equalisation | Q - Выравнивание по газу | Q - Gasausgleich |
| DL - Rubinetto Compressione | DL - Discharge service valve | DL - Вентиль (нагнетание) | DL - Druckabsperrventil |
| SL - Rubinetto Aspirazione | SL - Suction service valve | SL - Вентиль (всасывание) | SL - Saugabsperrventil |



| Serie Range Серия Serie | Modello Model Модель Typ | Figura Figure Рисунок Abbildung |
|----------------------------------|-----------------------------------|--|
| H7 | H5000CS | IX |
| | H5500CC | IX |
| | H5500CS | IX |
| | H6000CC | IX |
| | H6000CS | IX |
| | H7500CC | IX |
| | H7501CS | IX |
| | H8001CC | IX |
| | H8000CS | IX |
| H9000CC | IX | |

| | | | |
|-------------------------------|-------------------------------|-----------------------------------|------------------------------|
| A - Spia Olio | A - Oil sight | A - Смотр.стекло по маслу | A - Ölschauglas |
| B - Tappo carica Olio | B - Oil charge plug | B - Заглушка (запр.маслом) | B - Ölfüllstopfen |
| C - Presa Bassa Pres. | C - Low pressure tap | C - Заглушка (всасывание, НД) | C - Anschluss Niederdruck |
| D - Presa Alta Pres. | D - High pressure tap | D - Заглушка (нагнетание, ВД) | D - Anschluss Hochdruck |
| E - Tappo scarica olio | E - Oil drain plug | E - Заглушка (слив масла) | E - Ölablaß |
| F - Resistenza carter | F - Crankcase heater | F - ТЭН подогрева картера | F - Ölsumpfheizung |
| G - Tappo ritorno olio | G - Oil return | G - Заглушка (возвр.масла) | G - Ölrückführung |
| H - Presa alta press. pompa | H - Oil pressure tap | H - Загл.реле контроля смазки_РКС | H - Öldruckanschluss |
| M - Sens. max temp. mand. | M - Max disch. temp. sensor | M - Датчик темп-ры нагн. газа | M - Druckgasfühler |
| P - Press. diff. olio elettr. | P - Oil diff. pressure switch | P - Электрон. РКС | P - Öldifferenzdruckschalter |
| Q - Equalizzazione gas | Q - Gas equalisation | Q - Выравнивание по газу | Q - Gasausgleich |
| DL - Rubinetto Compressione | DL - Discharge service valve | DL - Вентиль (нагнетание) | DL - Druckabsperrventil |
| SL - Rubinetto Aspirazione | SL - Suction service valve | SL - Вентиль (всасывание) | SL - Saugabsperrventil |



OFFICINE MARIO DORIN SINCE 1918

DORIN[®]
INNOVATION

OFFICINE MARIO DORIN S.p.A.

Via Aretina 388, 50061 Compiobbi - Florence, Italy
Tel. +39 055 62321 1 - Fax +39 055 62321 380

dorin@dorin.com
www.dorin.com