

CG Range

Condensers for
condensing units



Power range
4,6 - 62,7 kW



**EC
Motor**



Option of EC electronic motors



Specifically designed for
watertight or semi-watertight
condensing units



Choice of base with bodywork



Choice of one or two fans
for all the different powers



Technical Specifications

Coil: Manufactured in 3/8 staggered tube, and aluminum fins with high-efficiency 2.1 mm separation.

Bodywork: Manufactured in pre-lacquered steel sheet. The motor support panels are easy to move in order to place them in the required position. Bottom block with base for placing compressor and other components. Ability of working in horizontal position.

Fans: Direct-drive centrifugal. 230v/I/ and 400v/III power supply, all at 50 Hz. IP44 protection. Class F power range: 5 mm to 15 mm water column.

Options

- Multi-circuit coil
- Fins with vinyl or Blaygold treatment
- Bottom closed block or legs

CG

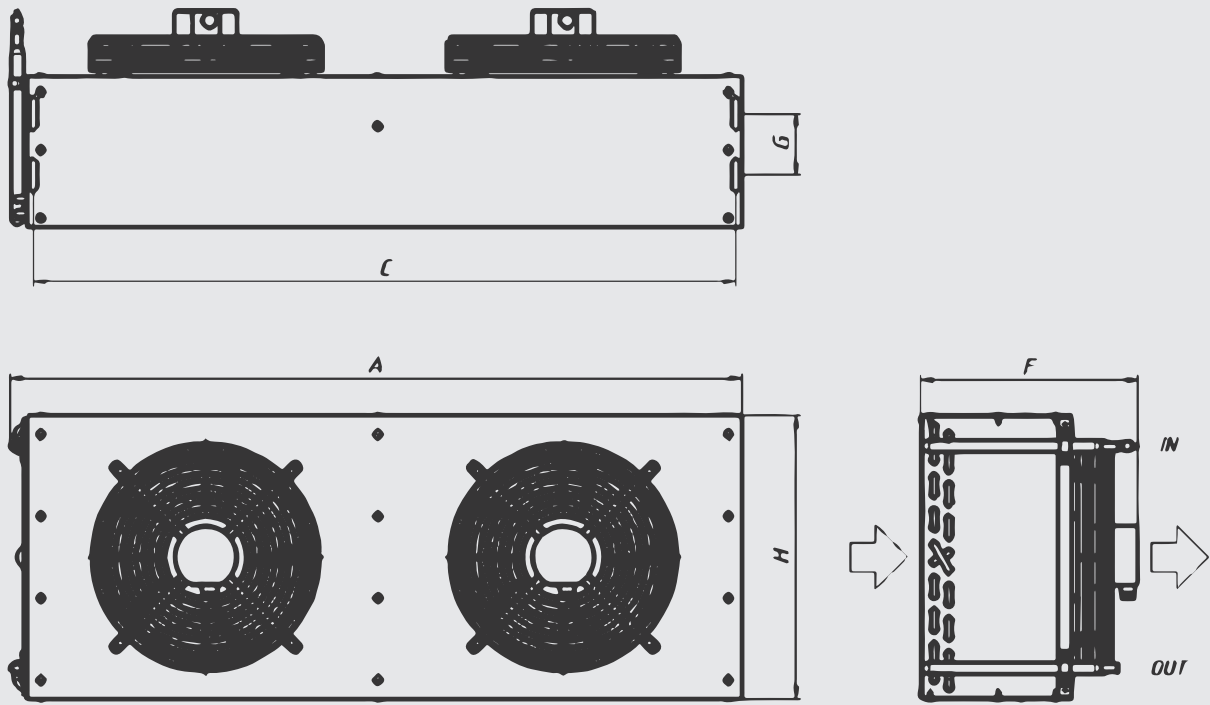
Codification Description

CG	31	M	P
↑	↑	↑	↑
Range	Model	Type of motor M = Single-phase motor T = Three-phase 4P motor S = Silent Three-phase 6P motor SS = Super-quiet three-phase 8P motor Ø = Without motor	Finish P = Painted Ø = Natural

Technical data

Model	Capacity EN327 DT 15 (kW)	Area (m ²)	Volume (dm ³)	Nº x Ø	Energy Class	Fans					Fin spacing (mm)	Weight (kg)
						Air Flow (m ³ /h)	W	A	dB(A) (10m)	Voltage		
CG05	4,62	7,4	1,8	1 x 300	C	1.300	78	0,5	36	1~230 V 50Hz	3,0	12
CG06	5,82	7,7	1,8	1 x 350	D	2.300	150	0,7	38	1~230 V 50Hz	3,0	14
CG07	7,17	10,7	2,4	1 x 350	C	2.200	150	0,7	38	1~230 V 50Hz	3,0	16
CG08	7,60	11,0	2,2	2 x 300	C	2.900	156	1,0	39	1~230 V 50Hz	2,5	22
CG09	9,24	14,9	3,2	2 x 300	C	2.600	156	1,0	39	1~230 V 50Hz	3,0	21
CG10	9,36	13,4	3,0	1 x 400	C	3.000	150	0,7	36	1~230 V 50Hz	3,0	19
CG11	10,80	16,1	3,5	1 x 400	B	3.300	150	0,7	36	1~230 V 50Hz	3,0	21
CG12	11,68	15,3	3,3	2 x 350	D	4.600	300	1,4	41	1~230 V 50Hz	3,0	27
CG13	12,76	25,2	5,3	1 x 400	B	3.000	150	0,7	36	1~230 V 50Hz	3,0	25
CG14	14,38	21,4	4,4	2 x 350	C	4.400	300	1,4	41	1~230 V 50Hz	3,0	29
CG18	18,95	36,0	6,3	1 x 450	D	4.150	460	1,0	43	3~400V 50Hz	2,5	34
CG19	18,80	26,9	5,5	2 x 400	C	6.000	300	1,3	39	1~230 V 50Hz	3,0	35
CG21	21,49	29,4	5,4	1 x 500	E	8.000	720	1,4	45	3~400V 50Hz	2,5	46
CG22	21,60	32,2	6,5	2 x 400	B	6.600	300	1,3	39	1~230 V 50Hz	3,0	39
CG25	25,53	50,5	9,8	2 x 400	B	6.000	300	1,3	39	1~230 V 50Hz	3,0	46
CG26	25,79	41,1	7,2	1 x 500	D	8.000	720	1,4	47	3~400V 50Hz	2,5	50
CG30	29,81	46,0	7,8	2 x 450	E	9.500	920	1,9	46	3~400V 50Hz	2,5	51
CG31	31,33	64,3	10,8	1 x 500	D	7.300	720	1,4	47	3~400V 50Hz	2,5	59
CG36	36,07	72,0	11,7	2 x 450	E	8.600	920	1,9	46	3~400V 50Hz	2,5	58
CG47	46,95	69,3	10,2	2 x 500	E	16.000	1.440	2,8	50	3~400V 50Hz	2,1	96
CG52	51,59	82,1	13,6	2 x 500	D	16.000	1.440	2,8	50	3~400V 50Hz	2,5	98
CG63	62,66	128,6	20,4	2 x 500	D	14.600	1.440	2,8	50	3~400V 50Hz	2,5	111

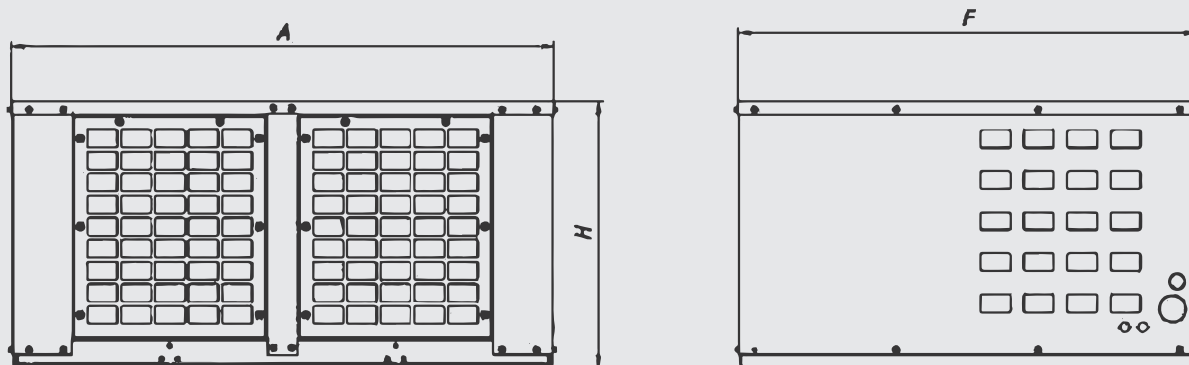




CG / Common Data

Model	Connection		Dimensions (mm)				
	IN	OUT	A (mm)	C (mm)	H (mm)	G (mm)	F (mm)
CG05	17 mm	17 mm	483	442	370	179,5	300
CG06	17 mm	17 mm	587	542	420	179,5	325
CG07	17 mm	17 mm	585	542	420	179,5	325
CG08	17 mm	17 mm	1.083	1.042	420	179,5	325
CG09	17 mm	17 mm	883	842	370	179,5	300
CG10	24 mm	24 mm	596	542	520	179,5	395
CG11	24 mm	24 mm	690	642	520	179,5	395
CG12	17 mm	17 mm	1.087	1.042	420	179,5	325
CG13	24 mm	24 mm	690	642	520	179,5	395
CG14	17 mm	17 mm	1.087	1.042	420	179,5	325
CG18	1-1/8"	7/8"	696	660	620	179,5	455
CG19	7/8"	5/8"	1.092	1.042	520	179,5	395
CG21	1-1/8"	7/8"	910	842	821	179,5	470
CG22	1-1/8"	7/8"	1.300	1.242	520	179,5	395
CG25	1-1/8"	7/8"	1.300	1.242	520	179,5	395
CG26	1-1/8"	7/8"	910	842	821	179,5	470
CG30	1-1/8"	7/8"	1.300	1.242	620	179,5	455
CG31	1-1/8"	7/8"	910	842	822	179,5	470
CG36	1-1/8"	7/8"	1.300	1.242	620	179,5	455
CG47	1-1/8"	7/8"	1.710	1.642	822	179,5	470
CG52	1-1/8"	7/8"	1.710	1.642	822	179,5	470
CG63	1-1/8"	7/8"	1.710	1.642	822	179,5	470

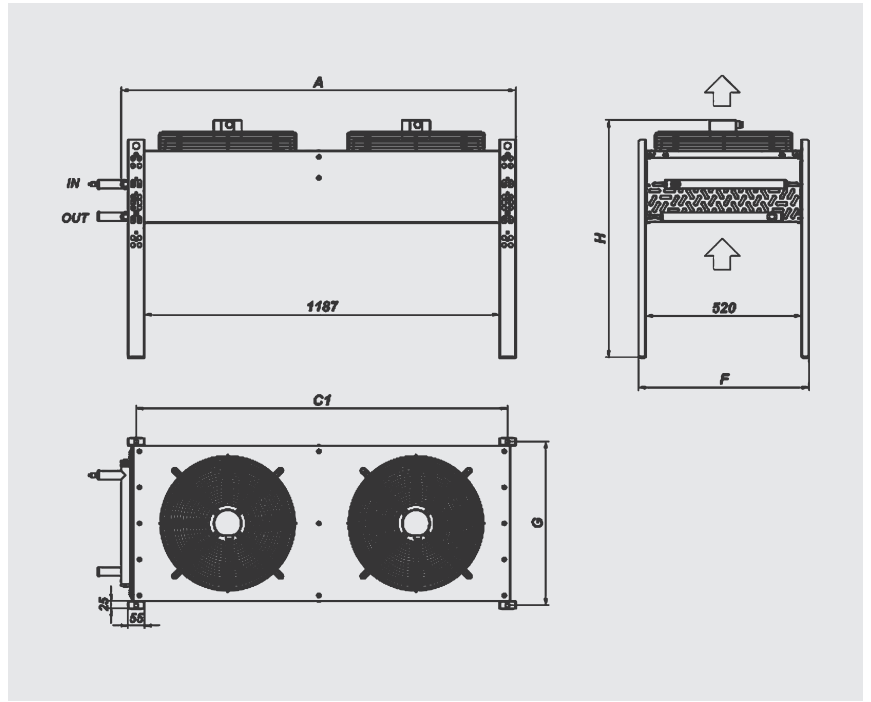
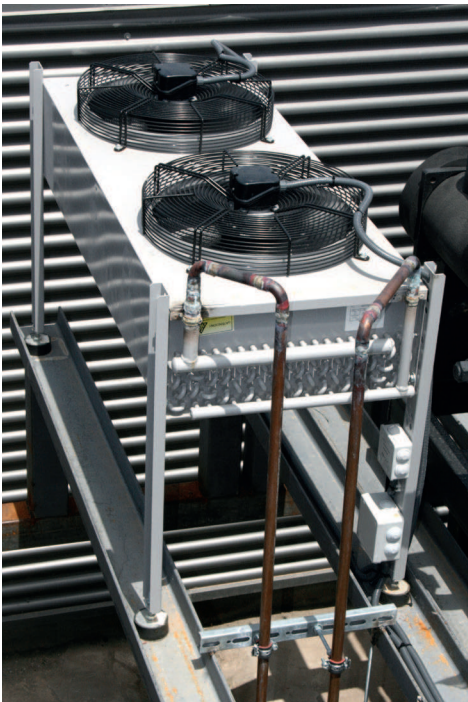
Bodywork



Bodywork CG (dimensions)	A (mm)	F (mm)	H (mm)	Models
Bodywork CG1	1187	1005	522	CG08 CG12 CG14
Bodywork CG2	1187	1005	722	CG19
Bodywork CG3	1387	1005	722	CG22 CG25
Bodywork CG4	1387	1005	722	CG30 CG36
Bodywork CG5	1822	1005	920	CG47 CG52 CG63

I-CO-06.4-CG

Range GasCooler



Model	Capacity Work conditions: P _{gas} = 32 Bar, T _{gas} = 72 °C, T _{aire} = 35 °C, ΔP = 0,8 Bar (kW)	Area (m ²)	Volume (dm ³)	Fans						Weight (kg)
				N° x Ø	Energy Class	Air Flow (m ³ /h)	W	A	dB(A) (10m)	
GCA94MP	1,2	2,8	0,8	1x250	D	680	36	0,3	33	5
GCA124MP	2,6	4,4	1,3	1x300	E	950	60	0,4	33	9
GCA07MPA	6,1	10,7	2,4	1x350	C	2.200	150	0,7	38	16
GCA13MPA	8,0	25,2	5,3	1x400	B	3.000	150	0,7	36	25
GCA25MPA	13,6	50,5	9,8	2x400	B	6.000	150	0,7	39	46
GCA25MSPA	13,4	50,5	9,8	2x400	B	3.900	240	1,0	35	46
GCA25ECPA	13,5	50,5	9,8	2x400	B	5.000	280	2,3	41	46
GCA52MPA	24,0	82,1	13,6	2x500	D	16.000	1.360	6,0	50	98

Common Data	Model	Connection		Dimensions (mm)				
		IN	OUT	A	F	H	C1	G
	GCA94MP	9	9	337	227	273	294	128
GCA124MP	12	12	420	252	328	375	133	
GCA07MPA	5/8"	5/8"	597	470	728,5	542	449	
GCA13MPA	7/8"	7/8"	697	570	795	642	549	
GCA25MPA	1-1/8	1-1/8	1297	570	795	1242	549	
GCA25MSPA	1-1/8	1-1/8	1297	570	795	1242	549	
GCA25ECPA	1-1/8	1-1/8	1297	570	795	1242	549	
GCA52MPA	1-1/8	1-1/8	1697	872	814	1642	851	