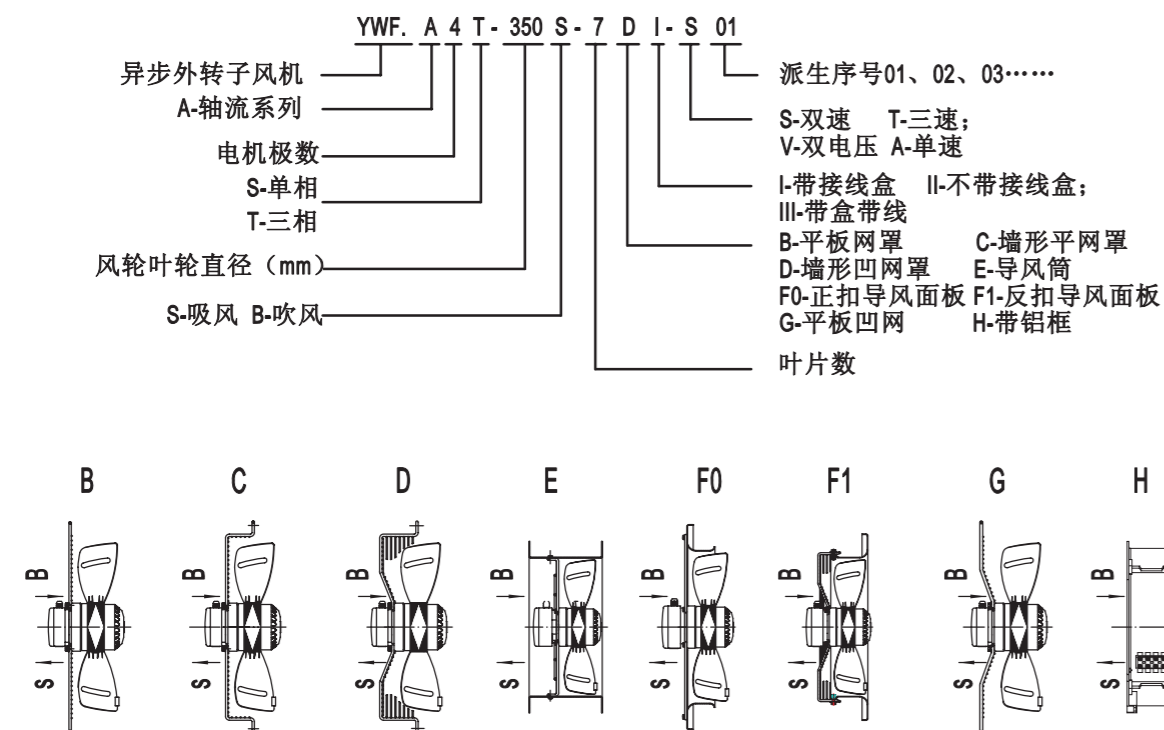


产品介绍

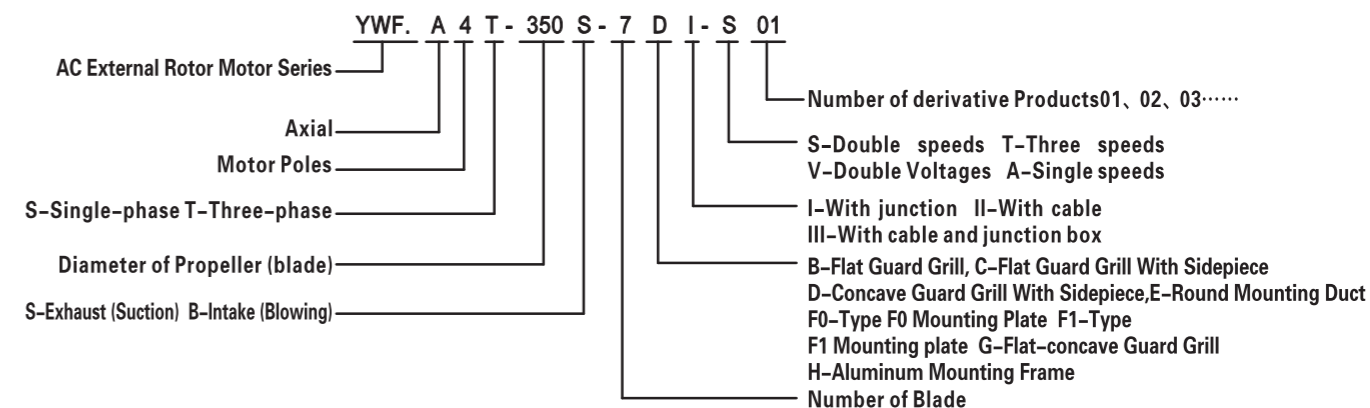
Product Introduction

1. 型号命名



- 外转子轴流风机系列产品具有结构紧凑、运行可靠、噪声低、安装方便、节能高效等特点。
- 外转子轴流风机分为单相异步电容运转和三相异步运转两种。广泛应用于蒸发器，冷凝器，冷水机，热泵及通风循环领域。
- 100%可变速外转子电机启动电流小，电机防护等级可达IP54，绝缘等级为B、F级。
- 单相电机内部均设有热保护器，可在-30℃~60℃的环境温度中运行。三相电机若需安装热保护器，订货时应说明。
- 电压：单相电容运转电机为220V/115V/50Hz/60Hz，三相电机为380V/460V/50Hz/60Hz。我们可根据客户要求生产不同电压，频率的电机。
- 外转子风机可以通过变压器和变频器实现无级变速；三相电机可以通过接线法 Y/△转换来实现双速，抽头调速可以实现多种转速；可控硅调速器可以手动调节通过改变输入电压实现无级调速。
- 当客户只需外转子电机(不带风叶和网罩，型号不带安装直径和风叶直径)用于离心风机时，应提供电机工作点的转速，功率和安装数据，最好能提供风轮和蜗壳样品。
- 风量曲线（静压&风量）
我们的风量曲线测试是在密度为1.2Kg/m³，温度为20℃的空气状态下进行，符合国家的标准测试要求。
- 噪音值
技术参数中所示噪声是声压级，根据国家要求，在进风口一米处测得。
- 平均寿命
顿力风机内安装深沟球滚珠轴承。根据应用场合和周围环境的不同，平均寿命L10介于30000与50000小时之间。
- 电机可以直接引线或在电机底部安装IP54接线盒，特殊长度及接线盒需特殊说明。
- 我司所生产的所有电机通过中国CCC和欧洲CE、美洲UL、CUL认证。

1. Nomenclature



- The YWF series of external rotor motor powered axial fan has the characteristics of compact structure, reliable operation, low noise, easy installation and high efficiency, etc.
- There are single-phase and three-phase power input types for the external rotor motor powered axial fan. And the axial fans are widely used in the industries of evaporator, condenser, water cooler, heat pump, IT & Telecom and ventilation, etc.
- The YWF series of external rotor motor has a low start current, and is IP54 protection level, insulation class F evaluated.
- There's a built-in thermal protector for the single-phase motor, and the motor can be operated in the temperature from -30 to 60 degrees C. If the customer needs built-in thermal protector for three-phase motor, please note us while placing the order.
- The normal input voltages/frequencies for our single-phase motor are 115V, 230V, 50/60Hz, and for three-phase motor are 380V, 460V, 50/60Hz. We can accommodate the customer's requirements on motor input voltage if needed.
- The speed of the YWF series of motor can be controlled by a transformer or VFD. We also can change the speed by changing motor's Δ - and Y-wiring for three-phase motor, and by using the shifts taps varies method for single-phase motor.
- We would need the operating point parameters of motor such as speed, power, and even the assembly sizes if the customer is only ordering the motor for their own application. In order to get a suitable motor performance, we would prefer a impeller and a housing for doing testing and research if the customer is going to use the motor for powering their own centrifugal impeller.
- P-Q curve
We do the aerodynamic test of our fan under the condition of 1.2kg/m³ air density and 20 degrees C ambient temperature, according with the national testing standards.
- Noise level
The noise level we use for our motor fan is sound pressure level. The distance for doing the noise level test is 1m from the test point to inlet hose according to the national standard requirements.
- Average life of our motors
The bearing used on our motor is maintenance free ball bearing, and the average life rating is L10 which is between 30,000 to 50,000 hours based on different operating conditions.
- The motor can come with power cord only, IP54 rated junction box only, or both junction box and power cord combined. The length of power cord need to be specified while ordering the motor fan with the power cord attached.
- The external rotor motor powered fans are CCC, CE, UL and cUL approved.

Φ200

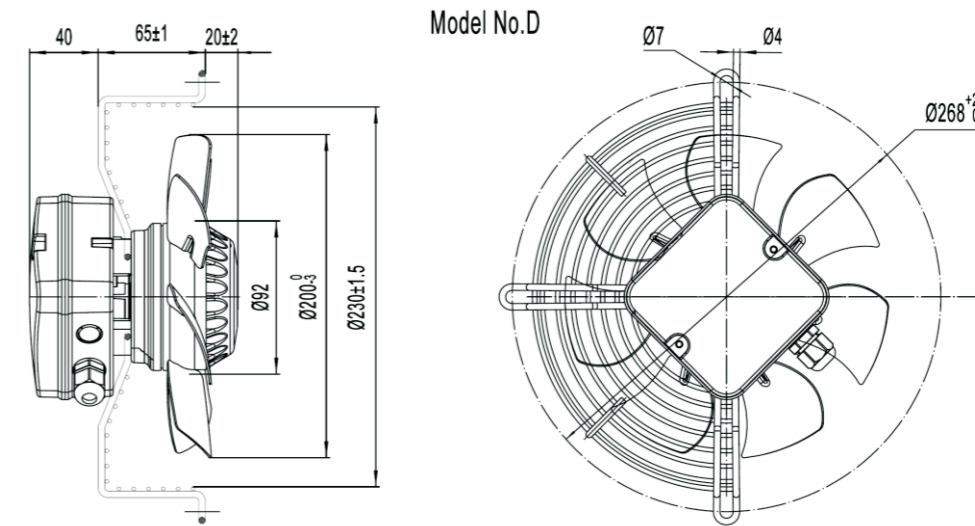
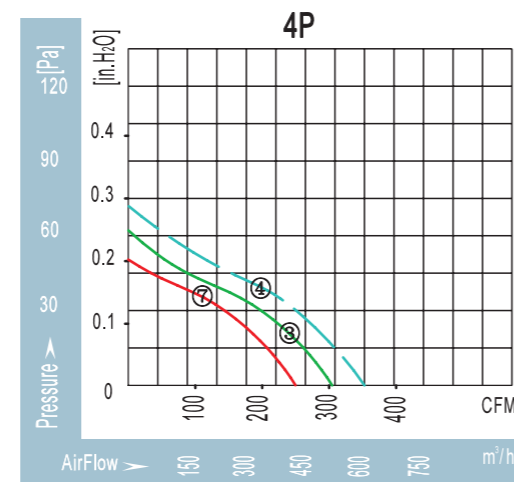
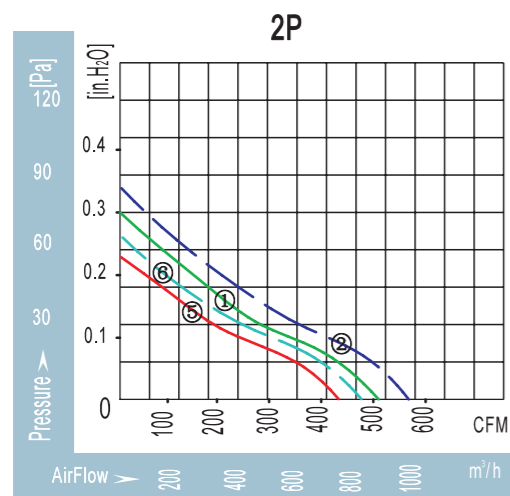
Φ200



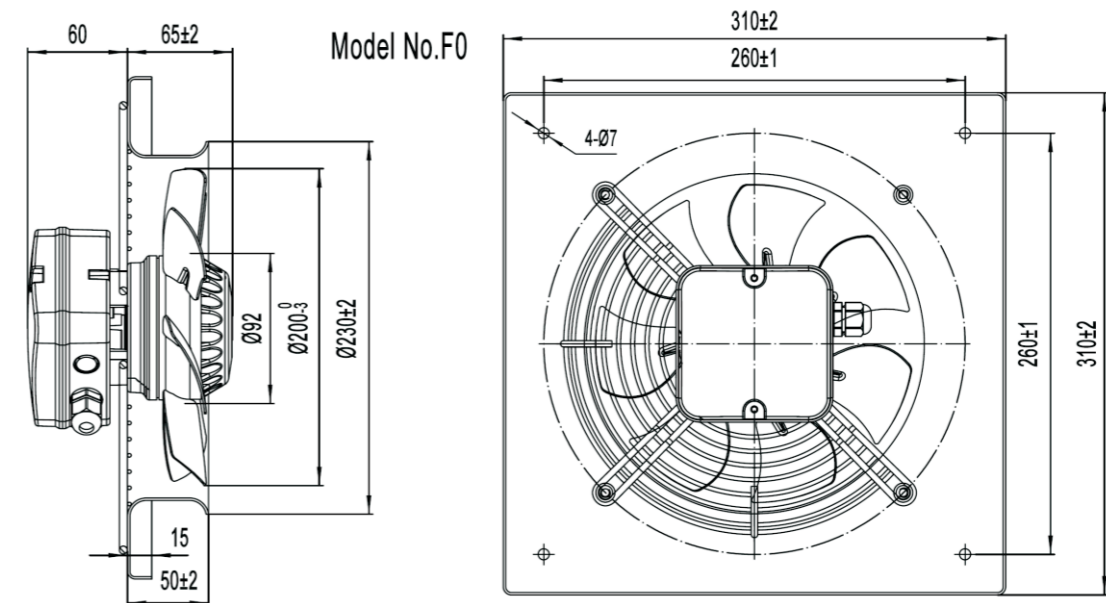
Ø200 系列轴流风机
Ø200 Series Axial Fan

材 质：转子铸铝;金属叶片;金属网罩
Material: Aluminum casting rotor, metal blade and guard grill
保护等级: IP44
Protection Class: IP44
绝缘等级: F
Insulation Class: F
轴 承: 免维护滚珠球轴承
Bearing: Maintenance free ball bearing

Model No. B	Model No. C	Model No. D	Model No. G	Model No. F0	Model No. F1
YWF.A2S-200S-7BIA00	YWF.A2S-200S-7CIA00	YWF.A2S-200S-7DIA00	/	YWF.A2S-200S-7FIA00	/
YWF.A4S-200S-7BIA00	YWF.A4S-200S-7CIA00	YWF.A4S-200S-7DIA00	/	YWF.A4S-200S-7FIA00	/
YWF.A2S-200S-7BIA05	YWF.A2S-200S-7CIA05	YWF.A2S-200S-7DIA05	/	YWF.A2S-200S-7FIA05	/
YWF.A2S-200S-5BIA05	YWF.A2S-200S-5CIA05	YWF.A2S-200S-5DIA05	/	YWF.A2S-200S-5FIA05	/
YWF.A4S-200S-5BIA05	YWF.A4S-200S-5CIA05	YWF.A4S-200S-5DIA05	/	YWF.A4S-200S-5FIA05	/
YWF.A2S-200S-5BIA00	YWF.A2S-200S-5CIA00	YWF.A2S-200S-5DIA00	/	YWF.A2S-200S-5FIA00	/
YWF.A4S-200S-5BIA00	YWF.A4S-200S-5CIA00	YWF.A4S-200S-5DIA00	/	YWF.A4S-200S-5FIA00	/
YWF.A2T-200S-5BIA00	YWF.A2T-200S-5CIA00	YWF.A2T-200S-5DIA00	/	YWF.A2T-200S-5FIA00	/
YWF.A4T-200S-5BIA00	YWF.A4T-200S-5CIA00	YWF.A4T-200S-5DIA00	/	YWF.A4T-200S-5FIA00	/

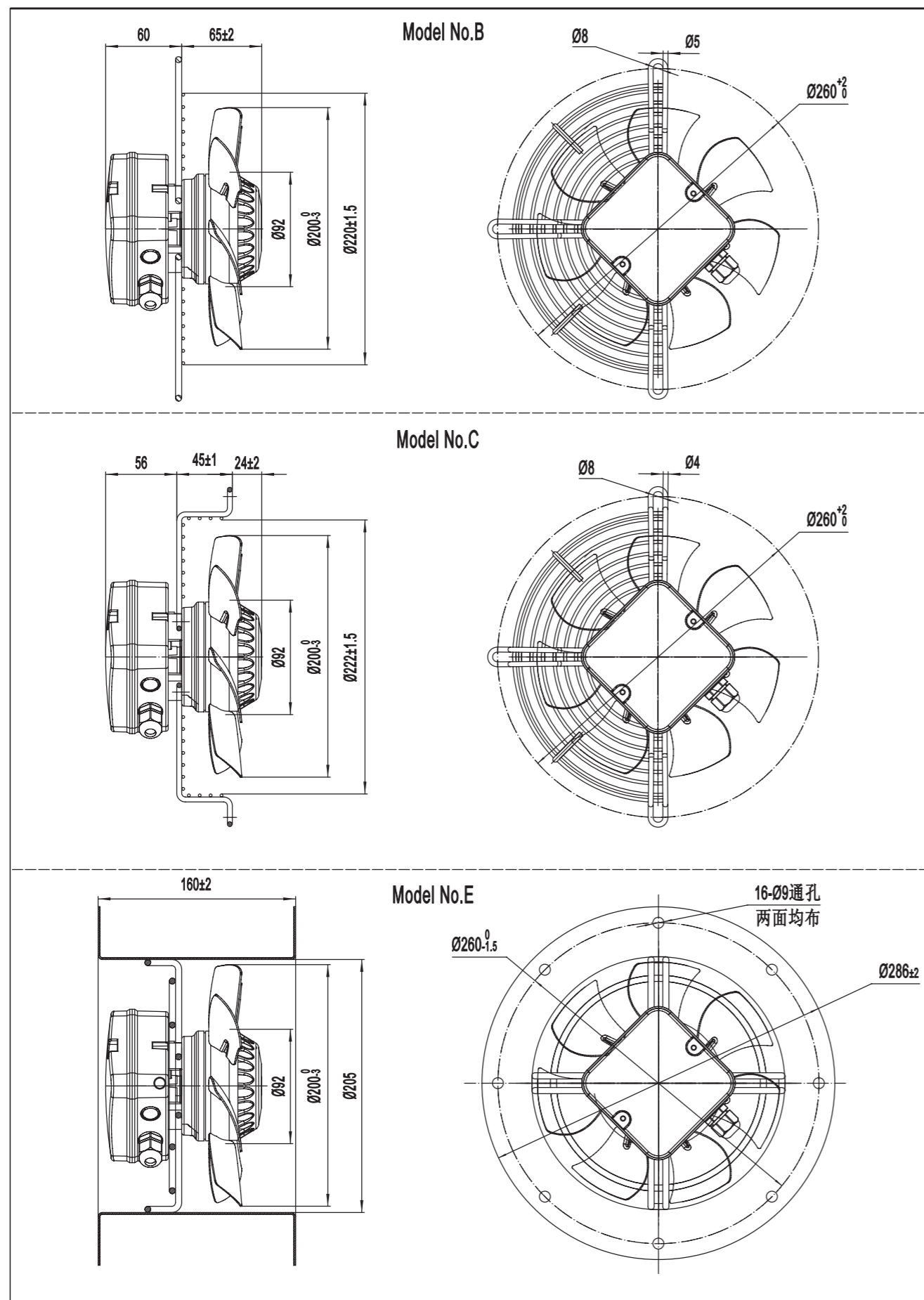


Model No. E	电压 Voltage (V)	频率 Frequency (Hz)	电流 Current (A)	输入功率 Input Power (W)	转速 Speed (RPM)	电容 Capacitor (μF)	风量 Air Flow (m³/h / CFM)	噪音 Noise (dB(A))	曲线 Curve No. (#)	运行温度 Operating Temperature (Min/Max°C)	认证 Approvals
YWF.A2S-200S-7EIA00	220/230	50	0.30	68	2000	2	880/518	53	①	-30/+60	CCC;CE;Rohs
		60	0.34	75	2200		980/576	54	②		
YWF.A4S-200S-7EIA00	220/230	50	0.21	40	1400	1.5	510/300	43	③	-30/+60	CCC;CE;Rohs
		60	0.23	50	1500		600/352	45	④		
YWF.A2S-200S-7EIA05	115/120	50	0.58	64	2000	8	880/518	53	①	-30/+60	Rohs
		60	0.61	74	2200		980/576	54	②		
YWF.A2S-200S-5EIA05	115/120	50	0.40	45	2450	6	745/438	50	⑤	-30/+60	Rohs
		60	0.45	55	2800		820/482	51	⑥		
YWF.A4S-200S-5EIA05	115/120	50	0.17	19	1350	2	425/250	43	⑦	-30/+60	Rohs
		60	0.18	20	1600		510/300	45	③		
YWF.A2S-200S-5EIA00	220/230	50	0.23	50	2450	2	745/438	50	⑤	-30/+60	CCC;CE;Rohs
		60	0.31	67	2700		820/482	51	⑥		
YWF.A4S-200S-5EIA00	220/230	50	0.12	27	1400	1	425/250	43	⑦	-30/+60	CCC;CE;Rohs
		60	0.13	30	1680		510/300	45	③		
YWF.A2T-200S-5EIA00	380/400	50	0.10	47	2460	/	745/438	50	⑤	-30/+60	CCC;CE;Rohs
		60	0.10	55	2600		820/482	51	⑥		
YWF.A4T-200S-5EIA00	380/400	50	0.06	25	1400	/	425/250	43	⑦	-30/+60	CCC;CE;Rohs
		60	0.07	28	1680		510/300	45	③		



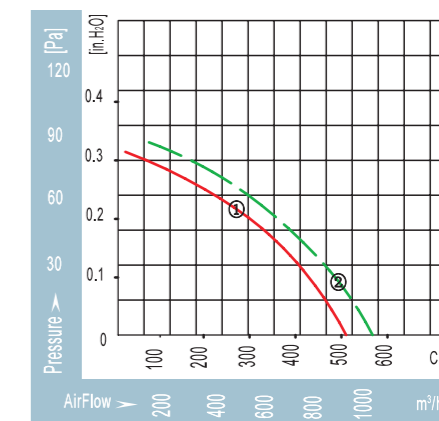
Φ200

Φ200



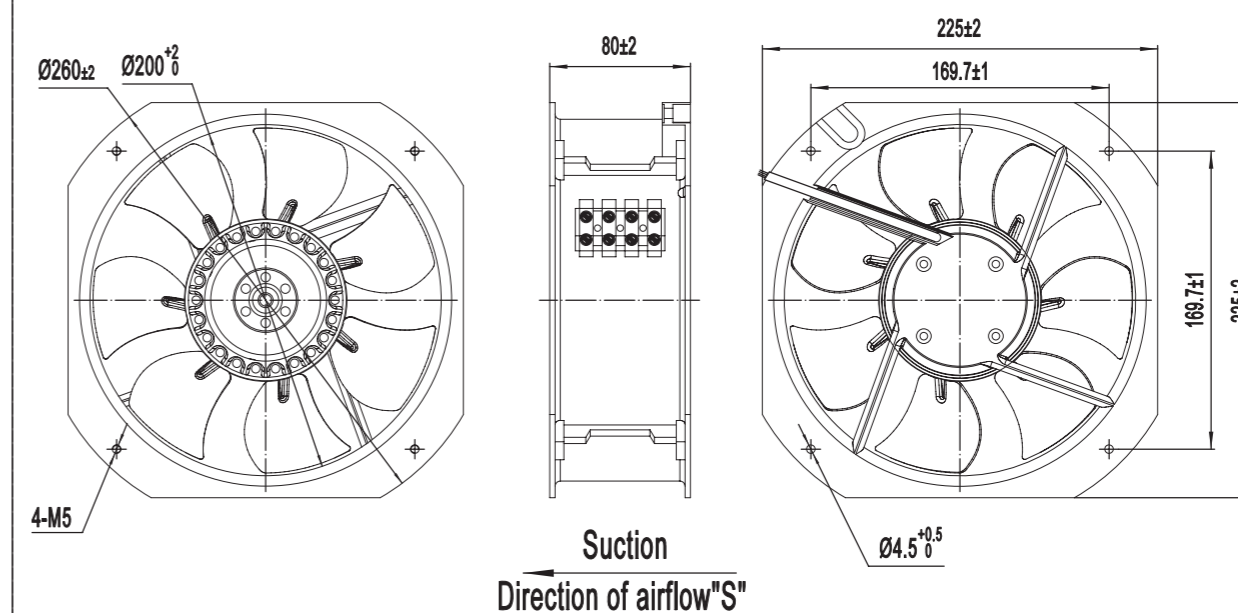
Ø200-7 系列铝框风机
Ø200-7 Series With Aluminum Frame

材 质：转子铸铝
保护等级：IP44
绝缘等级：F
轴 承：免维护滚珠球轴承



Material: Rotor: Aluminum Casting
Protection Class: IP44
Insulation Class: F
Bearing: Maintenance free ball bearing

Model No. H	电压 Voltage (V)	频率 Frequency (Hz)	电流 Current (A)	输入功率 Input Power (W)	转速 Speed (RPM)	电容 Capacitor (µF)	风量 Air Flow (m³/h / CFM)	噪音 Noise (dB(A))	曲线 Curve No	运行温度 Operating Temperature (Min/Max°C)	认证 Approvals
YWF.A2S-200S-7HIIA00	220/230	50	0.30	68	2000	2	880/518	55	①	-30/+60	CCC;CE;Rohs CCC;CE;Rohs
		60	0.33	75	2200		980/576	56	②		
YWF.A2S-200S-7HIIA05	115/120	50	0.58	64	2000	8	880/518	55	①	-30/+60	Rohs Rohs;UL
		60	0.61	74	2200		980/576	56	②		



Φ250

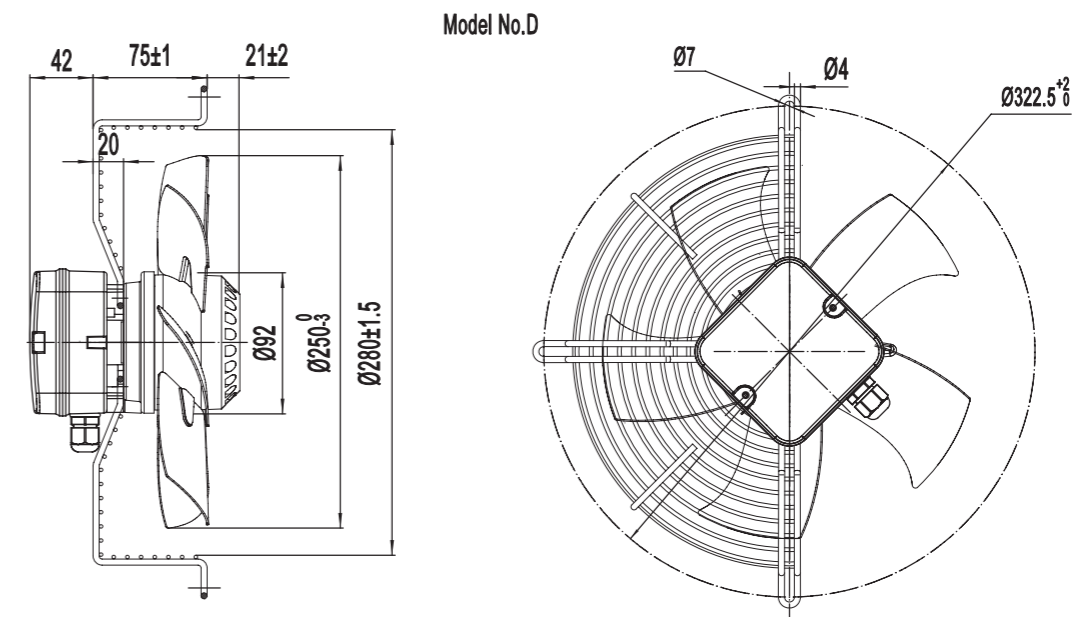
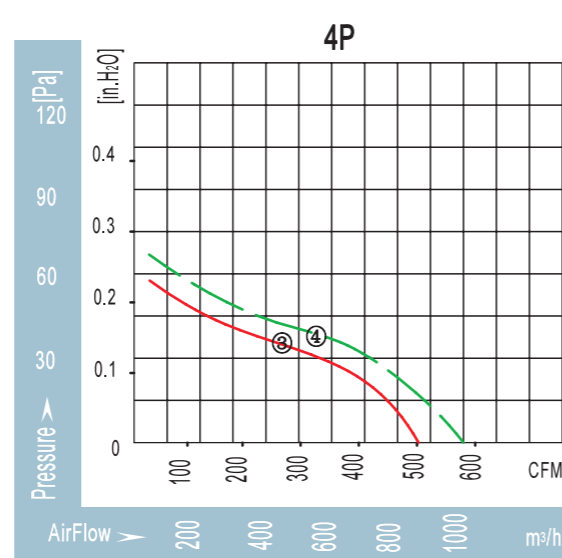
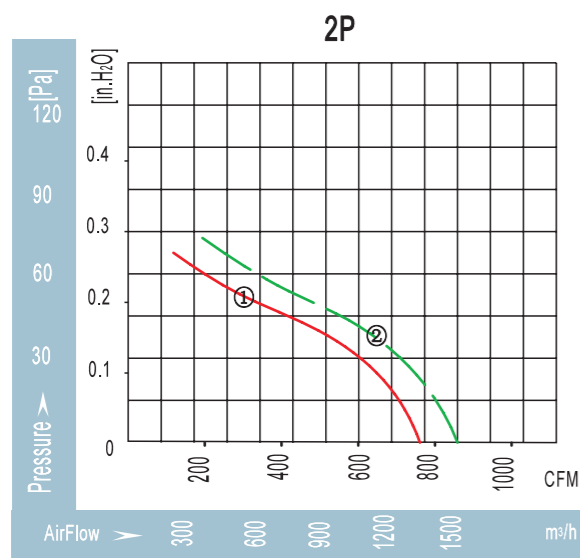
Φ250



Ø250 系列轴流风机
Ø250 Series Axial Fan

材 质：转子铸铝
Material: Rotor: Aluminum Casting
保护等级: IP44
Protection Class: IP44
绝缘等级: F
Insulation Class: F
轴 承: 免维护滚珠球轴承
Bearing: Maintenance free ball bearing

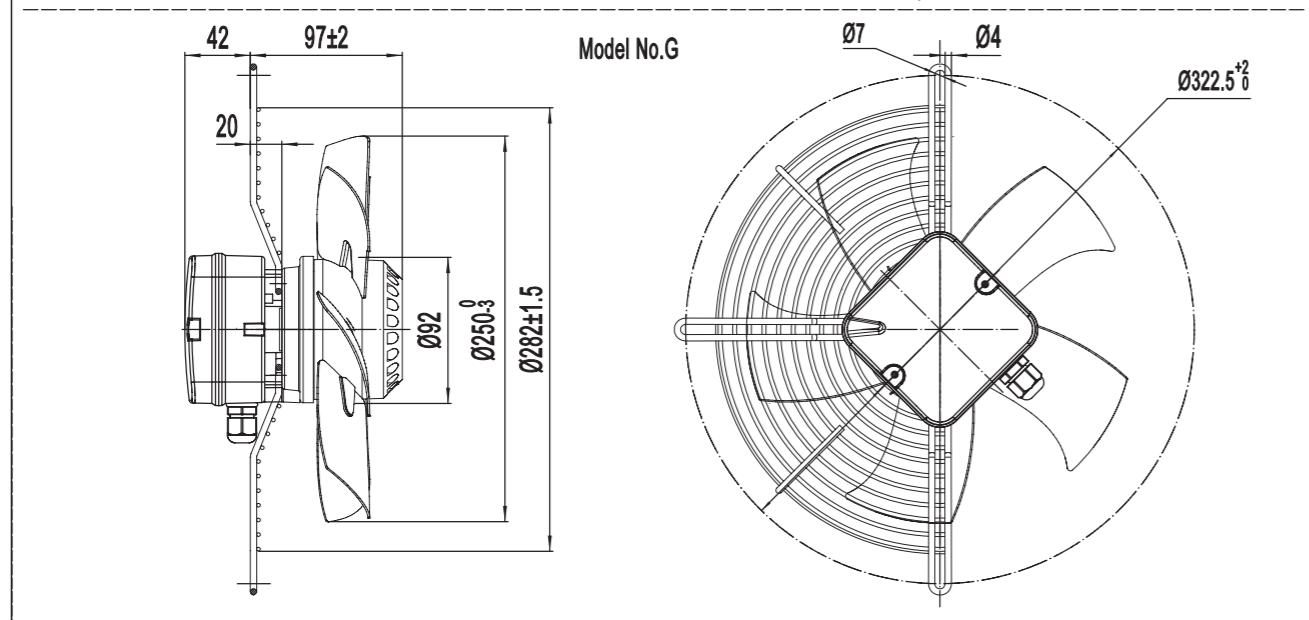
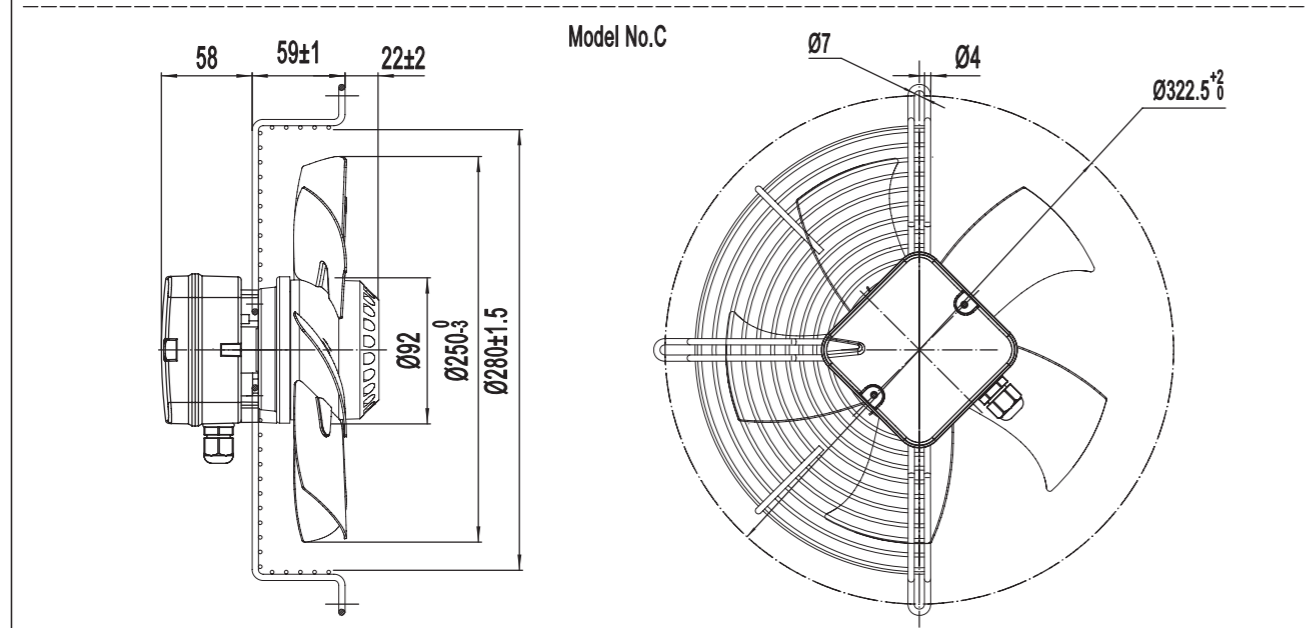
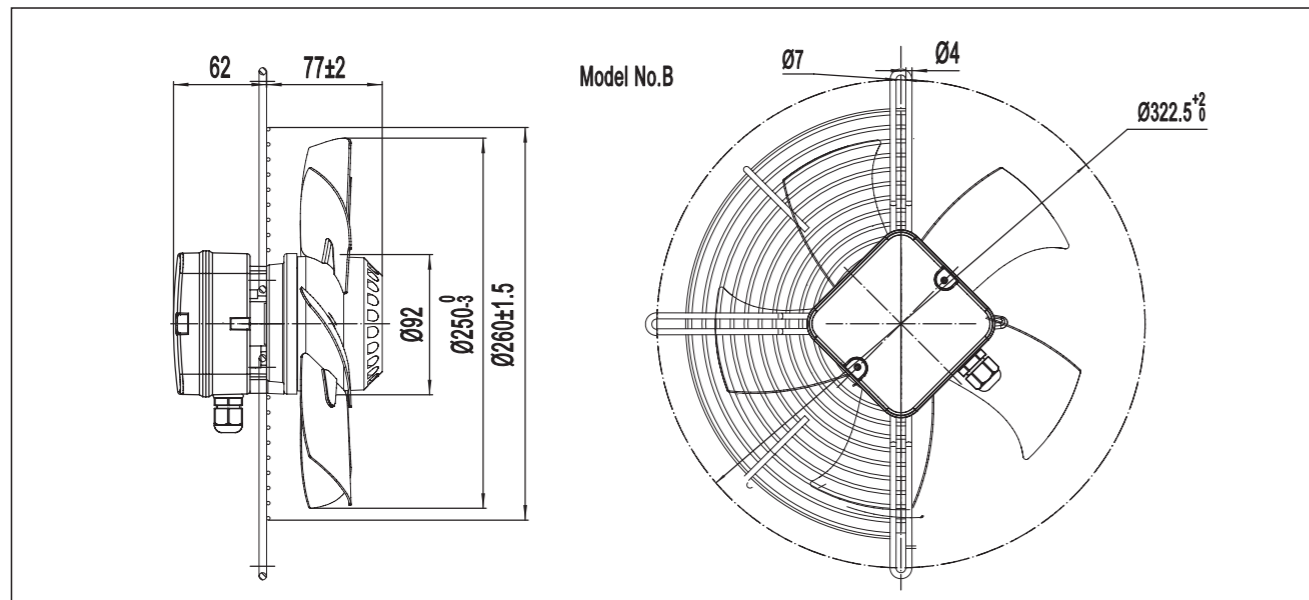
Model No. B	Model No. C	Model No. D	Model No. G	Model No. F0	Model No. F1
YWF.A2S-250S-5BIA00	YWF.A2S-250S-5CIA00	YWF.A2S-250S-5DIA00	YWF.A2S-250S-5GIA00	/	/
YWF.A2T-250S-5BIA00	YWF.A2T-250S-5CIA00	YWF.A2T-250S-5DIA00	YWF.A2T-250S-5GIA00	/	/
YWF.A4S-250S-5BIA00	YWF.A4S-250S-5CIA00	YWF.A4S-250S-5DIA00	YWF.A4S-250S-5GIA00	/	/
YWF.A4T-250S-5BIA00	YWF.A4T-250S-5CIA00	YWF.A4T-250S-5DIA00	YWF.A4T-250S-5GIA00	/	/
YWF.A2S-250S-5BIA05	YWF.A2S-250S-5CIA05	YWF.A2S-250S-5DIA05	YWF.A2S-250S-5GIA05	/	/
YWF.A4S-250S-5BIA05	YWF.A4S-250S-5CIA05	YWF.A4S-250S-5DIA05	YWF.A4S-250S-5GIA05	/	/



	电压 Voltage	频率 Frequency	电流 Current	输入功率 Input Power	转速 Speed	电容 Capacitor	风量 Air Flow	噪音 Noise	曲线 Curve No	运行温度 Operating Temperature	认证 Approvals
Model No. E	(V)	(Hz)	(A)	(W)	(RPM)	(μF)	(m ³ /h / CFM)	(dB(A))	(#)	(Min/Max°C)	
/	230	50	0.45	100	2480	3	1330/782	56	①	-30/+60	CCC;CE;Rohs
/	230	60	0.59	130	2600	3	1500/882	57	②	-30/+60	CCC;CE;Rohs;UL
/	400	50	0.18	90	2430	/	1330/782	56	①	-30/+60	CCC;CE;Rohs
/	400	60	0.20	116	2550	/	1500/882	57	②	-30/+60	CCC;CE;Rohs;UL
/	230	50	0.25	55	1400	2	860/505	53	③	-30/+60	CCC;CE;Rohs
/	230	60	0.30	68	1620	2	1000/588	54	④	-30/+60	CCC;CE;Rohs;UL
/	400	50	0.18	60	1400	/	860/505	53	③	-30/+60	CCC;CE;Rohs
/	400	60	0.14	50	1650	/	1000/588	54	④	-30/+60	CCC;CE;Rohs;UL
/	115	50	0.93	100	2480	10	1330/782	56	①	-30/+60	Rohs
/	115	60	1.00	120	2650	10	1500/882	57	②	-30/+60	Rohs;UL
/	115	50	0.44	48	1350	5	860/505	53	③	-30/+60	Rohs
/	115	60	0.48	55	1600	5	1000/588	54	④	-30/+60	Rohs;UL

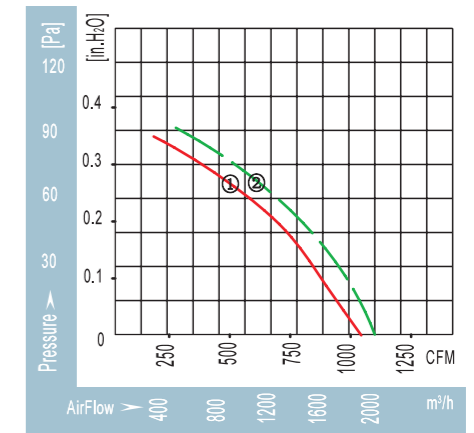
Φ250

Φ250



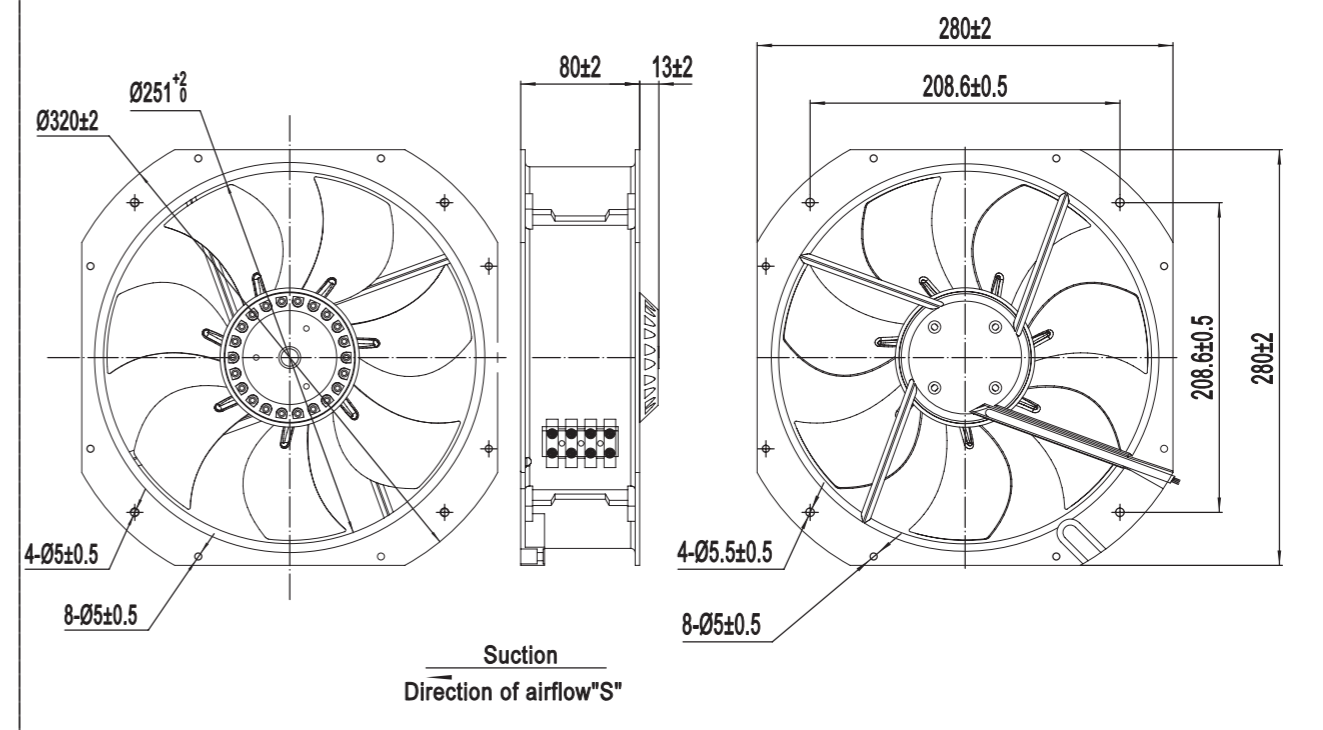
Ø250-7 系列铝框风机
Ø250-7 Series With Aluminum Frame

材 质：转子铸铝
保护等级：IP44
绝缘等级：F
轴 承：免维护滚珠球轴承



Material: Rotor: Aluminum Casting
Protection Class: IP44
Insulation Class: F
Bearing: Maintenance free ball bearing

Model No. H	电压 Voltage (V)	频率 Frequency (Hz)	电流 Current (A)	输入功率 Input Power (W)	转速 Speed (RPM)	电容 Capacitor (μF)	风量 Air Flow (m³/h / CFM)	噪音 Noise (dB(A))	曲线 Curve No (#)	运行温度 Operating Temperature (Min/Max°C)	认证 Approvals
YWF.A2S-250S-7HIIA00	220/230	50	0.50	120	2600	4	1850/1088	68	①	-30/+60	CCC;CE;Rohs
							1960/1153	72	②		
YWF.A2T-250S-7HIIA00	380/400	50	0.19	115	2600	/	1850/1088	68	①	-30/+60	CCC;CE;Rohs
							1960/1153	72	②		
YWF.A2S-250S-7HIIA05	115/120	50	1.10	124	2600	16	1850/1088	68	①	-30/+60	Rohs
							1960/1153	72	②		



External Rotor Motor Powered Axial Fan
External Rotor Motor Powered Backward Centrifugal Fan
External Rotor Motor Powered Forward Centrifugal Fan
External Rotor Motor Powered Housing Centrifugal Fan
Duct Fan

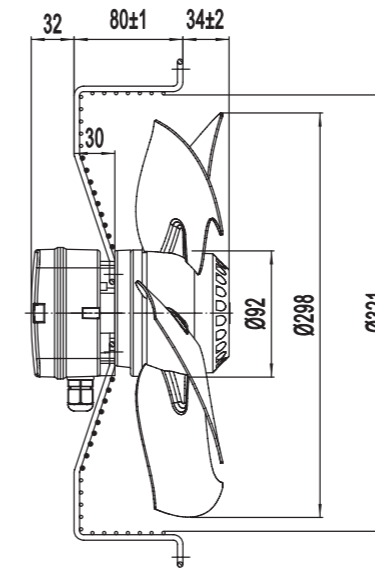
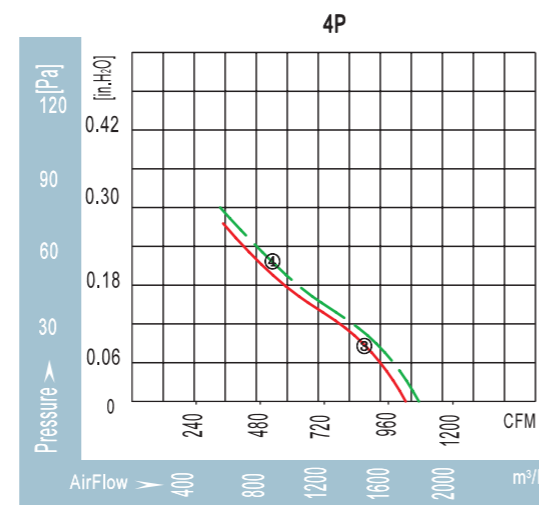
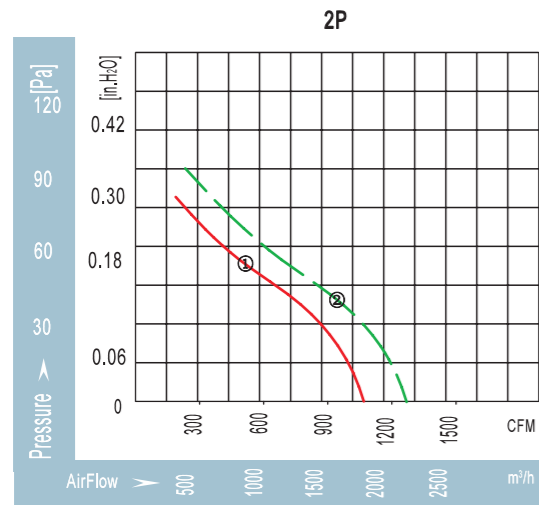
External Rotor Motor Powered Axial Fan
External Rotor Motor Powered Backward Centrifugal Fan
External Rotor Motor Powered Forward Centrifugal Fan
External Rotor Motor Powered Housing Centrifugal Fan
Duct Fan



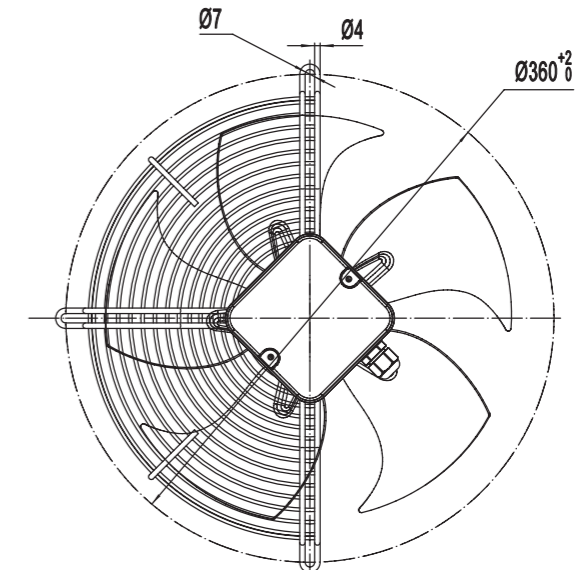
300-5 系列轴流风机
300-5 Series Axial Fan

材 质：转子铸铝
Material: Rotor: Aluminum Casting
保护等级：IP44
Protection Class: IP44
绝缘等级：F
Insulation Class: F
轴 承：免维护滚珠球轴承
Bearing: Maintenance free ball bearing

Model No. B	Model No. C	Model No. D	Model No. G	Model No. FO	Model No. F1
YWF.A2S-300S-5BIA00	YWF.A2S-300S-5CIA00	YWF.A2S-300S-5DIA00	YWF.A2S-300S-5GIA00	YWF.A2S-300S-5FIA00	/
YWF.A2T-300S-5BIA00	YWF.A2T-300S-5CIA00	YWF.A2T-300S-5DIA00	YWF.A2T-300S-5GIA00	YWF.A2T-300S-5FIA00	/
YWF.A4S-300S-5BIA00	YWF.A4S-300S-5CIA00	YWF.A4S-300S-5DIA00	YWF.A4S-300S-5GIA00	YWF.A4S-300S-5FIA00	/
YWF.A4T-300S-5BIA00	YWF.A4T-300S-5CIA00	YWF.A4T-300S-5DIA00	YWF.A4T-300S-5GIA00	YWF.A4T-300S-5FIA00	/
YWF.A2S-300S-5BIA05	YWF.A2S-300S-5CIA05	YWF.A2S-300S-5DIA05	YWF.A2S-300S-5GIA05	YWF.A2S-300S-5FIA05	/
YWF.A4S-300S-5BIA05	YWF.A4S-300S-5CIA05	YWF.A4S-300S-5DIA05	YWF.A4S-300S-5GIA05	YWF.A4S-300S-5FIA05	/



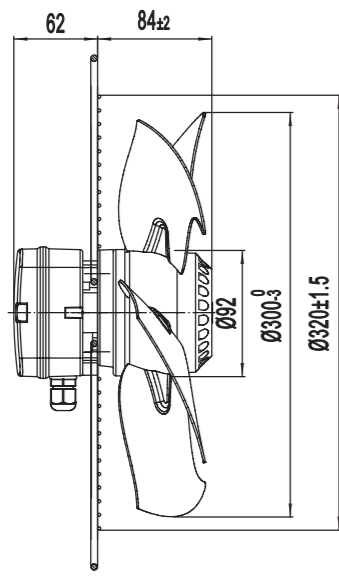
Model No. D



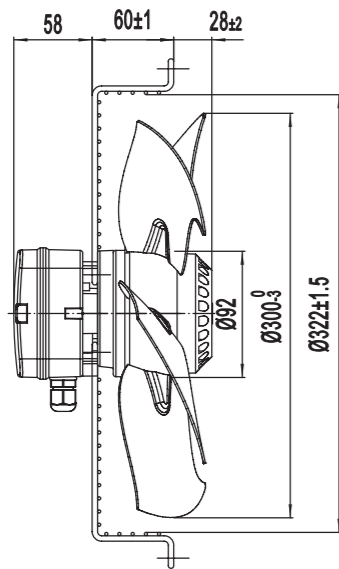
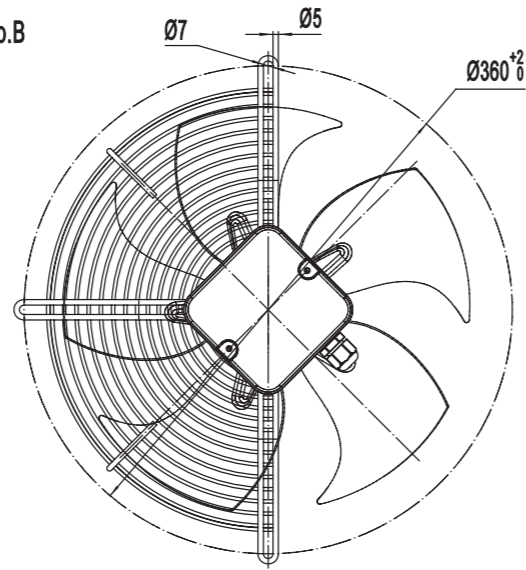
	电压 Voltage	频率 Frequency	电流 Current	输入功率 Input Power	转速 Speed	电容 Capacitor	风量 Air Flow	噪音 Noise	曲线 Curve No	运行温度 Operating Temperature	认证 Approvals
Model No. E	(V)	(Hz)	(A)	(W)	(RPM)	(μ F)	(m^3/h / CFM)	(dB(A))	(#)	(Min/Max $^{\circ}$ C)	
YWF.A2S-300S-5EIA00	220/230	50	0.55	124	2400	4	1800/1060	58	①	-30/+60	CCC;CE;Rohs CCC;CE;Rohs;UL
		60	0.70	155	2600		2100/1206	60	②		
YWF.A2T-300S-5EIA00	380/400	50	0.25	115	2500	/	1800/1060	58	①	-30/+60	CCC;CE;Rohs CCC;CE;Rohs;UL
		60	0.25	150	2650		2100/1235	60	②		
YWF.A4S-300S-5TIA00	220/230	50	0.42	90	1350	3	1750/1030	54	③	-30/+60	CCC;CE;Rohs CCC;CE;Rohs;UL
		60	0.51	115	1600		1900/1115	55	④		
YWF.A4T-300S-5EIA00	380/400	50	0.25	90	1380	/	1750/1030	54	③	-30/+60	CCC;CE;Rohs CCC;CE;Rohs;UL
		60	0.26	120	1640		1900/1115	55	④		
YWF.A2S-300S-5EIA05	115/120	50	1.10	124	2400	16	1800/1030	58	①	-30/+60	Rohs Rohs;UL
		60	1.35	155	2700		2100/970	60	②		
YWF.A4S-300S-5EIA05	115/120	50	0.80	90	1350	10	1750/1030	54	③	-30/+60	Rohs Rohs;UL
		60	0.92	110	1550		1900/1115	55	④		

Φ300

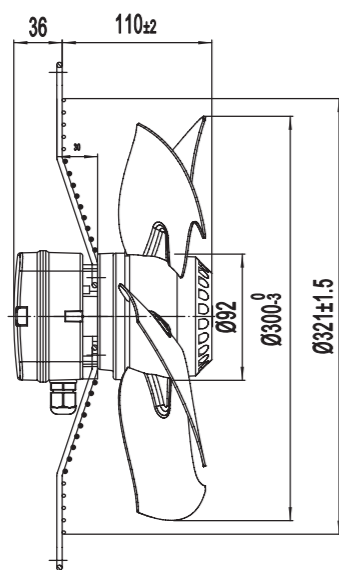
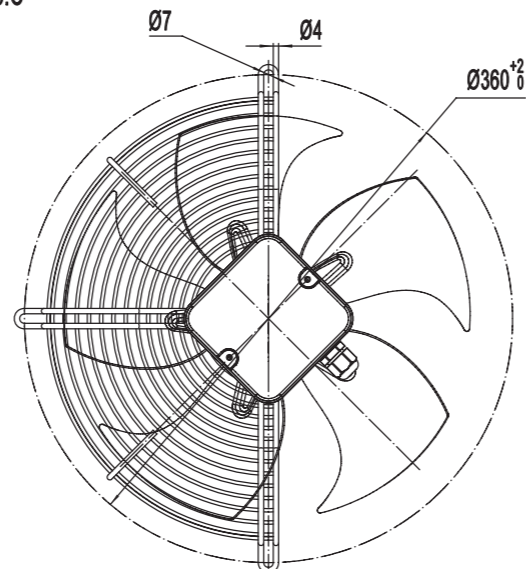
Φ300



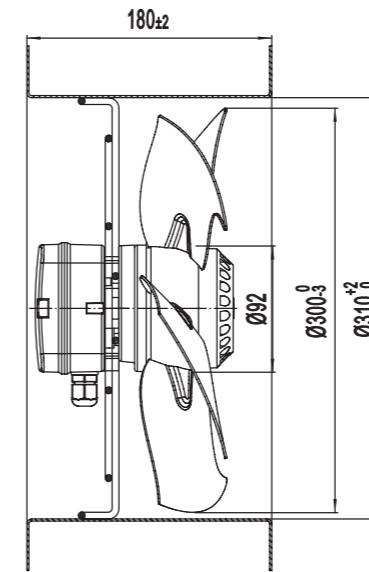
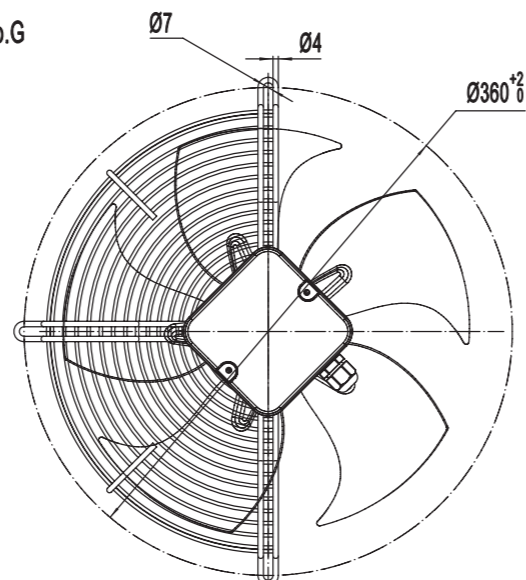
Model No.B



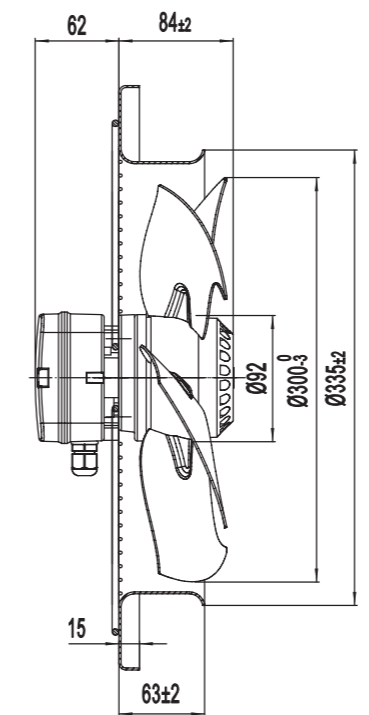
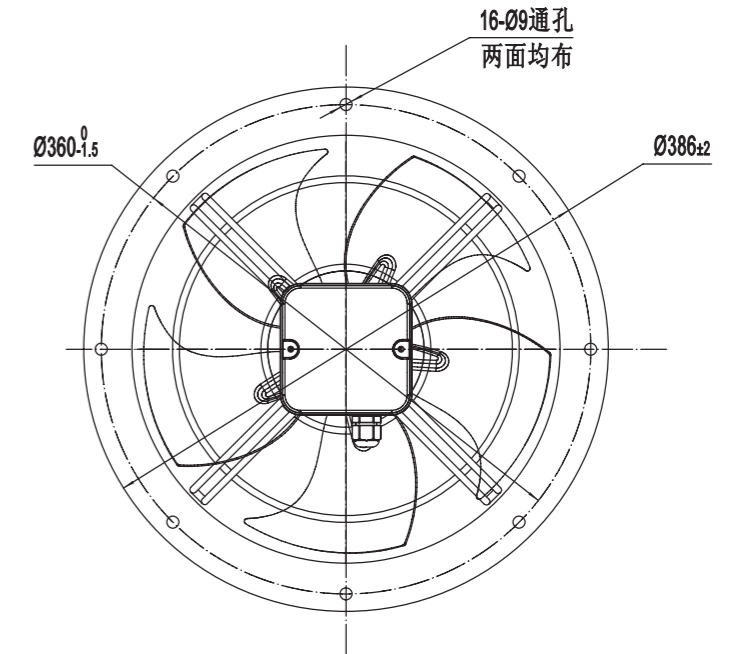
Model No.C



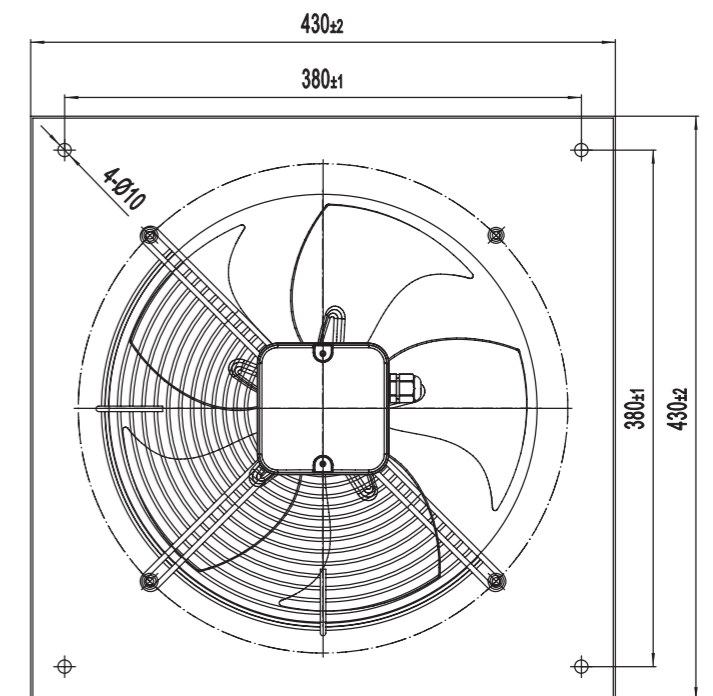
Model No.G



Model No.E



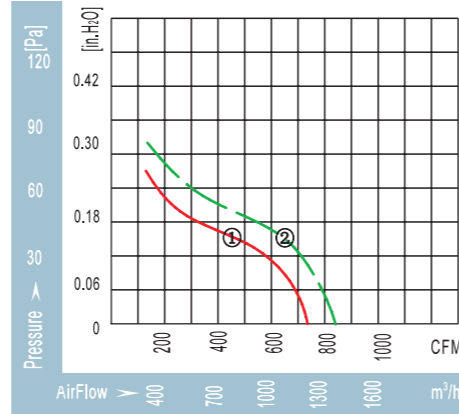
Model No.F0





300-5 塑料叶轮轴流风机
300-5 Series Axial Fan
With Plastic Impeller

材 质：风轮PA66转子铸铝
保护等级：IP44
绝缘等级：F
轴 承：免维护滚珠球轴承



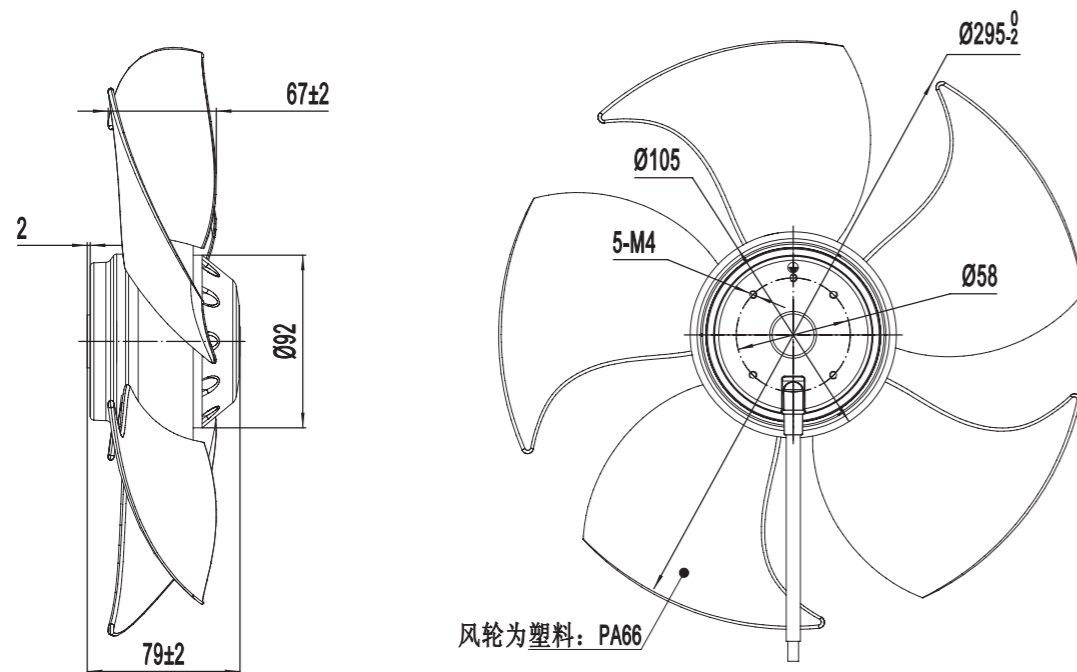
Material: Impeller: PA66, Rotor: Aluminum Casting

Protection Class: IP44

Insulation Class: F

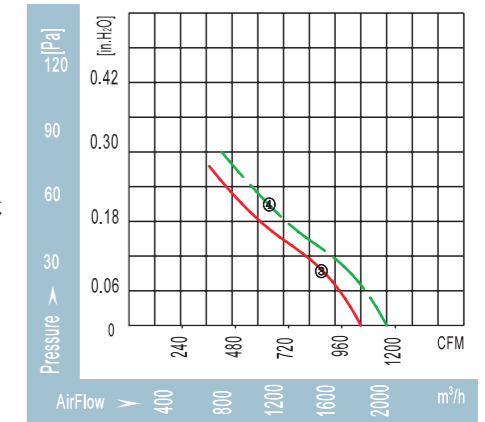
Bearing: Maintenance free ball bearing

电压 Voltage	频率 Frequency	电流 Current	输入功率 Input Power	转速 Speed	电容 Capacitor	风量 Air Flow	噪音 Noise	曲线 Curve No	运行温度 Operating Temperature	认证 Approvals
(V)	(Hz)	(A)	(W)	(RPM)	(μF)	(m³/h / CFM)	(dB(A))	(#)	(Min/Max°C)	
220/230	50	0.30	70	1300	2	1200/705	49	①	-30/+60	CCC;CE;Rohs
	60	0.40	90	1400		1350/785	51	②		CCC;CE;Rohs
115/120	50	0.58	70	1300	6	1200/705	49	①	-30/+60	CCC;CE;Rohs
	60	0.66	90	1400		1350/785	51	②		CCC;CE;Rohs



Ø315-5 系列轴流风机
Ø315-5 Series Axial Fan

材 质：转子铸铝
保护等级：IP44
绝缘等级：F
轴 承：免维护滚珠球轴承



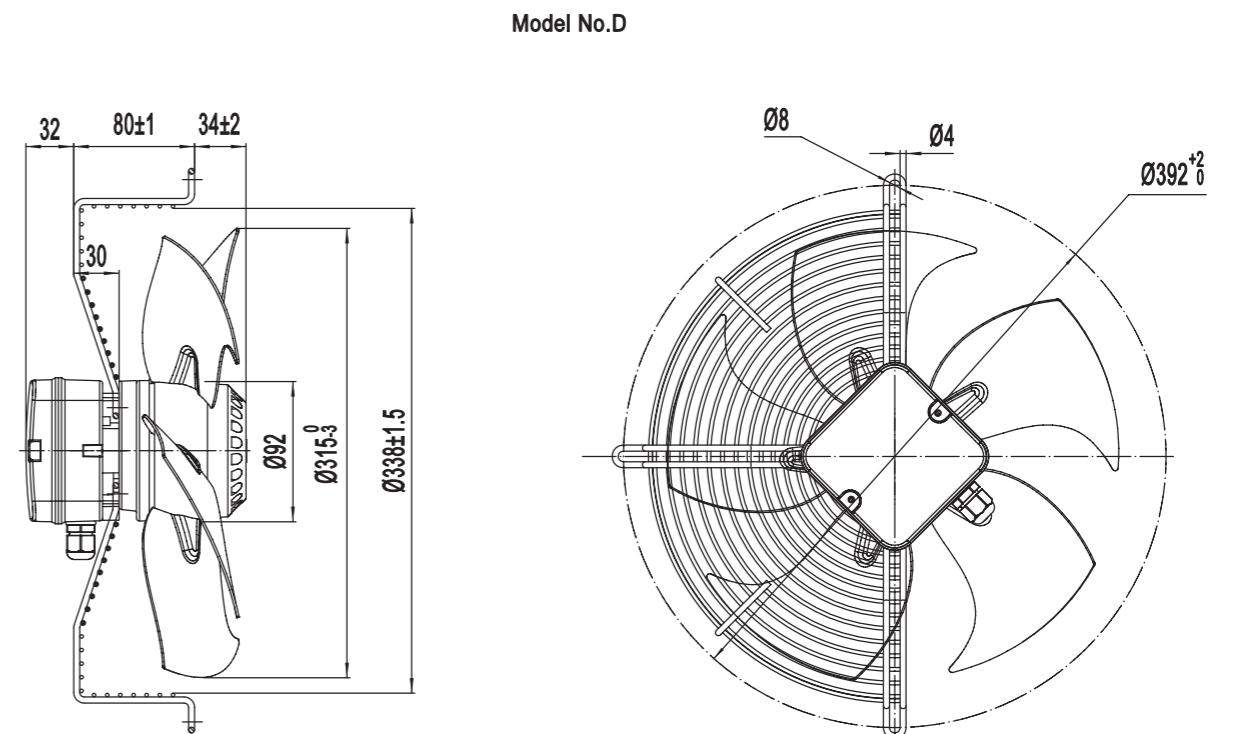
Material: IRotor: Aluminum Casting

Protection Class: IP44

Insulation Class: F

Bearing: Maintenance free ball bearing

电压 Voltage	频率 Frequency	电流 Current	输入功率 Input Power	转速 Speed	电容 Capacitor	风量 Air Flow	噪音 Noise	曲线 Curve No	运行温度 Operating Temperature	认证 Approvals
(V)	(Hz)	(A)	(W)	(RPM)	(μF)	(m³/h / CFM)	(dB(A))	(#)	(Min/Max°C)	
220/230	50	0.42	90	1350	4	1800/1060	56	①	-30/+60	CCC;CE;Rohs
	60	0.55	120	1550		2000/1176	58	②		CCC;CE;Rohs;UL
380/400	50	0.25	90	1350	/	1800/1060	56	①	-30/+60	CCC;CE;Rohs
	60	0.26	120	1500		2000/1176	58	②		CCC;CE;Rohs;UL



Φ330

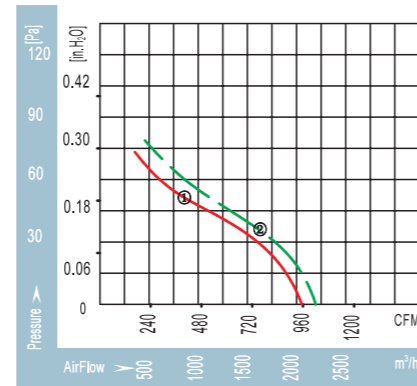
Φ350



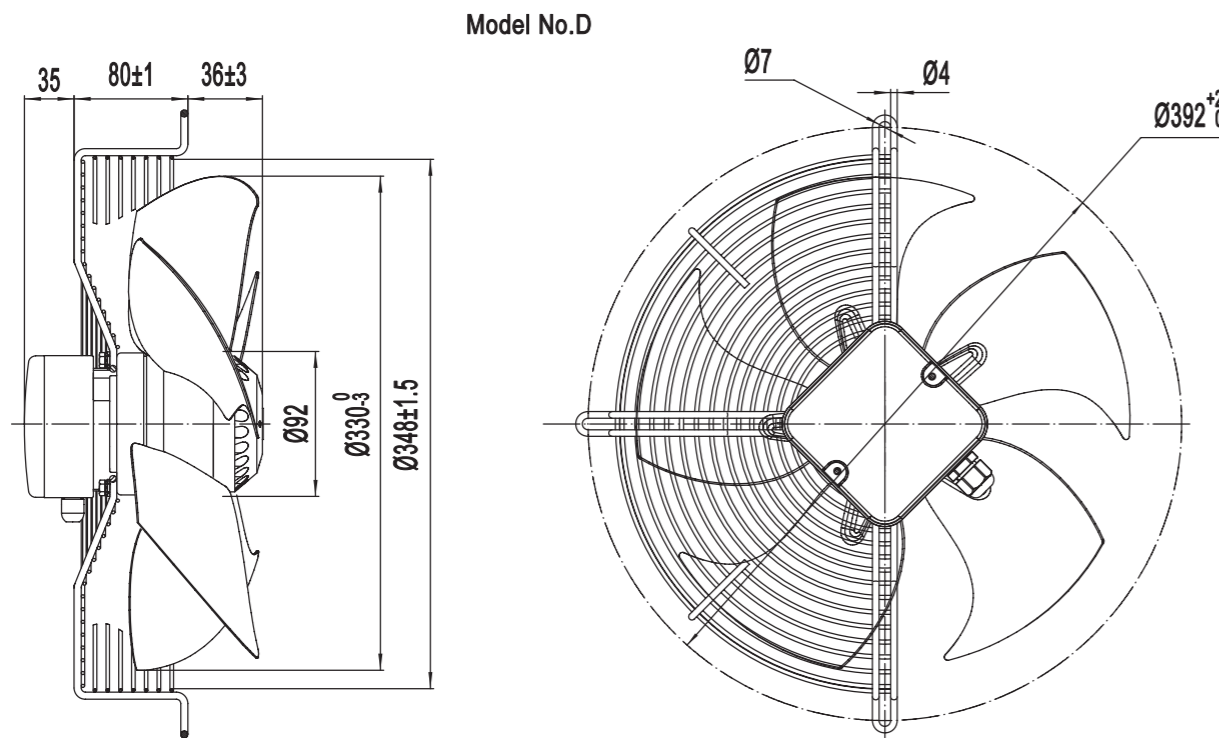
330-5 系列轴流风机
330-5 Series Axial Fan

材 质：转子铸铝
Material: Rotor: Aluminum Casting
保护等级：IP44
Protection Class: IP44
绝缘等级：F
Insulation Class: F
轴 承：免维护滚珠球轴承
Bearing: Maintenance free ball bearing

ErP2015
II EXCEEDS THE NORM



Model No. D	电压 Voltage (V)	频率 Frequency (Hz)	电流 Current (A)	输入功率 Input Power (W)	转速 Speed (RPM)	电容 Capacitor (μF)	风量 Air Flow (m³/h / CFM)	噪音 Noise (dB(A))	曲线 Curve No.	运行温度 Operating Temperature (Min/Max °C)	认证 Approvals
YWF.A4S-330S-5DIA00	220/230	50	0.53	110	1350	4	2060/1211	58	①	-30/+60	CCC;CE;Rohs
		60	0.65	150	1500		2200/1294	60	②		
YWF.A4T-330S-5DIA00	380/400	50	0.27	105	1350	/	2060/1211	58	①	-30/+60	CCC;CE;Rohs
		60	0.30	140	1500		2200/1294	60	②		

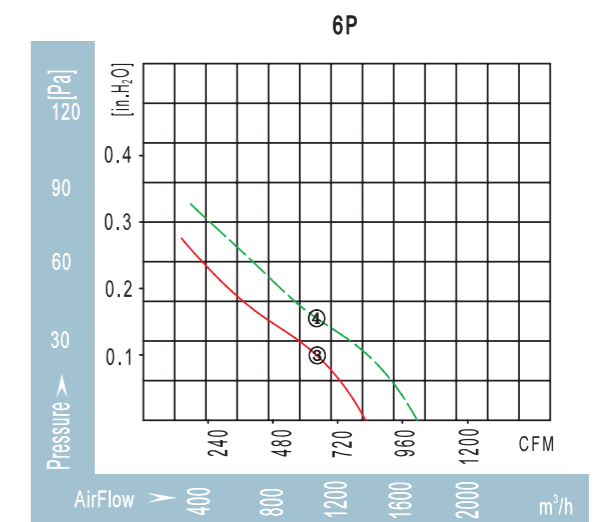
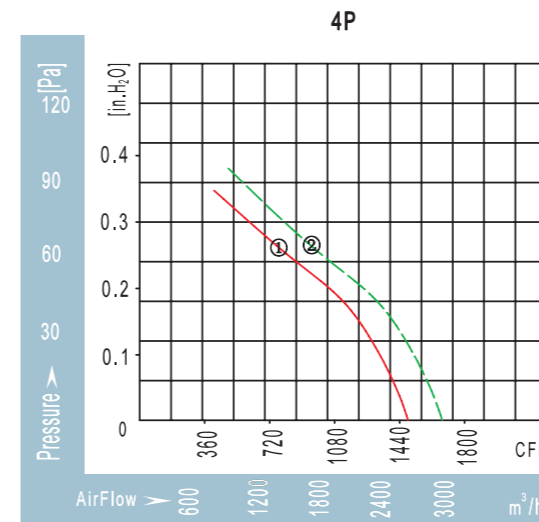


350-5 系列轴流风机
350-5 Series Axial Fan

材 质：转子铸铝
Material: Rotor: Aluminum Casting
保护等级：IP54
Protection Class: IP54
绝缘等级：F
Insulation Class: F
轴 承：免维护滚珠球轴承
Bearing: Maintenance free ball bearing

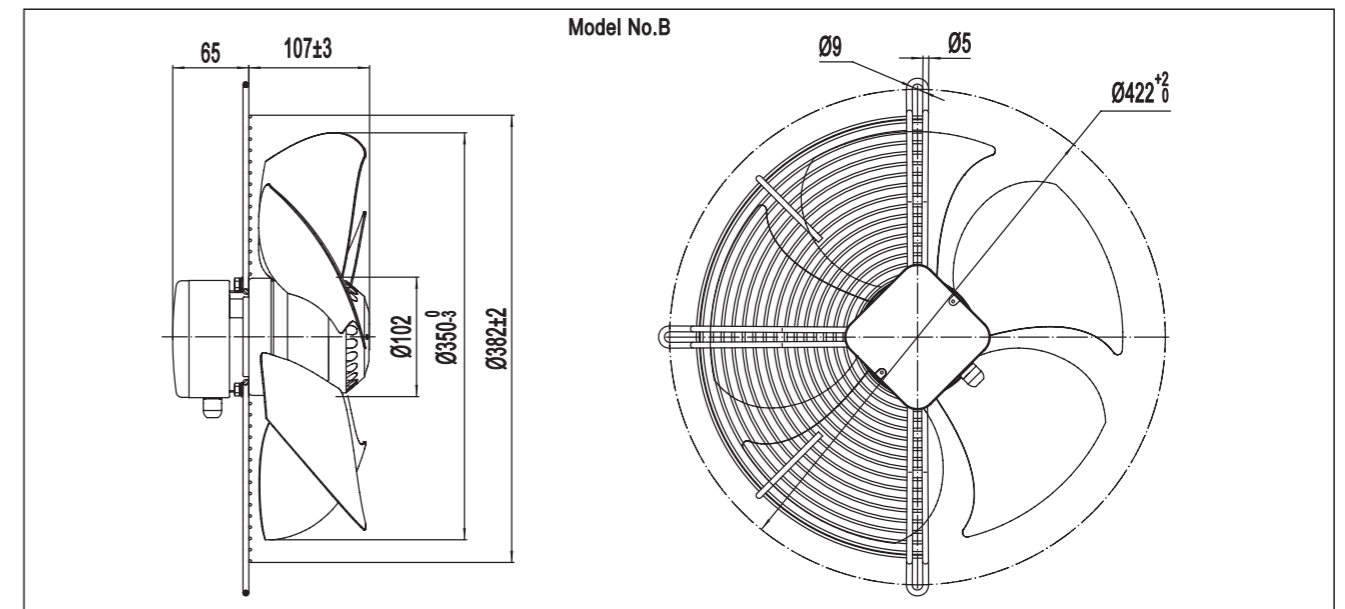
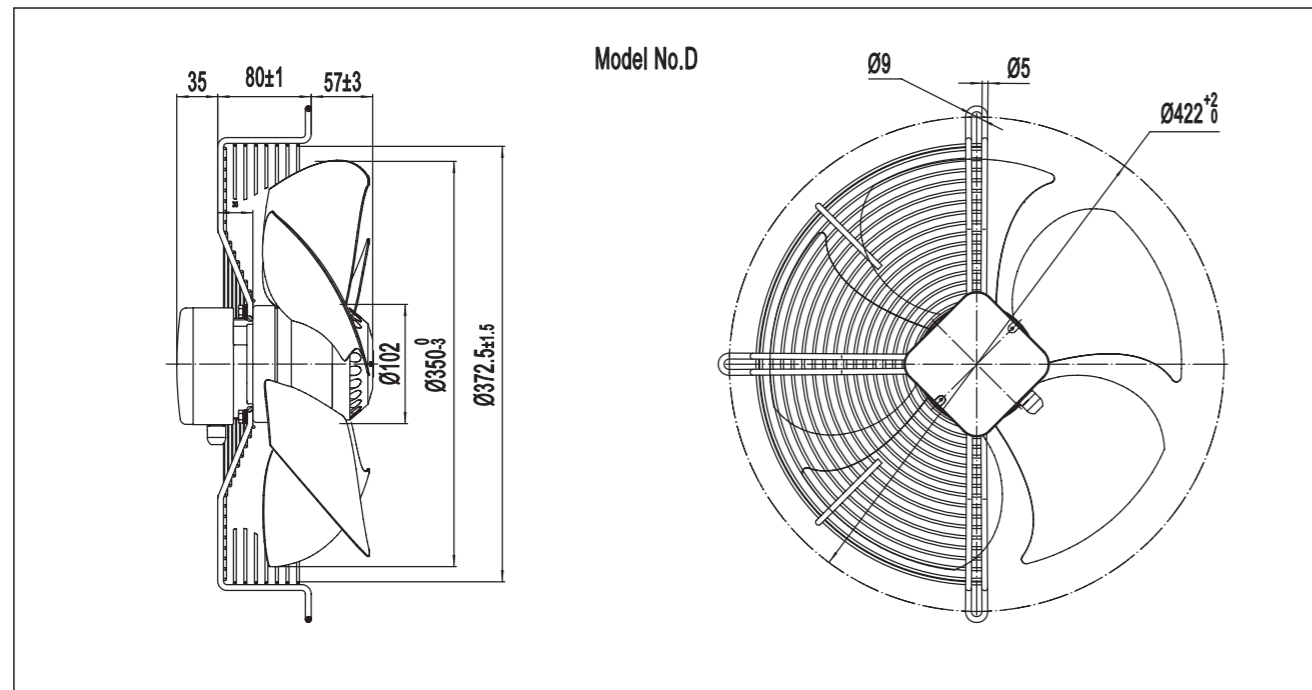
ErP2015
II EXCEEDS THE NORM

Model No. B	Model No. C	Model No. D	Model No. G	Model No. F0	Model No. F1
YWF.A4S-350S-5BIA00	YWF.A4S-350S-5BIC00	YWF.A4S-350S-5DIA00	YWF.A4S-350S-5GIA00	YWF.A4S-350S-5FIA00	YWF.A4S-350S-5FIA01
YWF.A4T-350S-5BIA00	YWF.A4T-350S-5BIC00	YWF.A4T-350S-5DIA00	YWF.A4T-350S-5GIA00	YWF.A4T-350S-5FIA00	YWF.A4T-350S-5FIA001
YWF.A6S-350S-5BIA00	YWF.A6S-350S-5BIC00	YWF.A6S-350S-5DIA00	YWF.A6S-350S-5GIA00	YWF.A6S-350S-5FIA00	YWF.A6S-350S-5FIA01
YWF.A6T-350S-5BIA00	YWF.A6T-350S-5BIC00	YWF.A6T-350S-5DIA00	YWF.A6T-350S-5GIA00	YWF.A6T-350S-5FIA00	YWF.A6T-350S-5FIA01
YWF.A4S-350S-5BIA05	YWF.A4S-350S-5BIC05	YWF.A4S-350S-5DIA05	YWF.A4S-350S-5GIA05	YWF.A4S-350S-5FIA05	YWF.A4S-350S-5FIA15

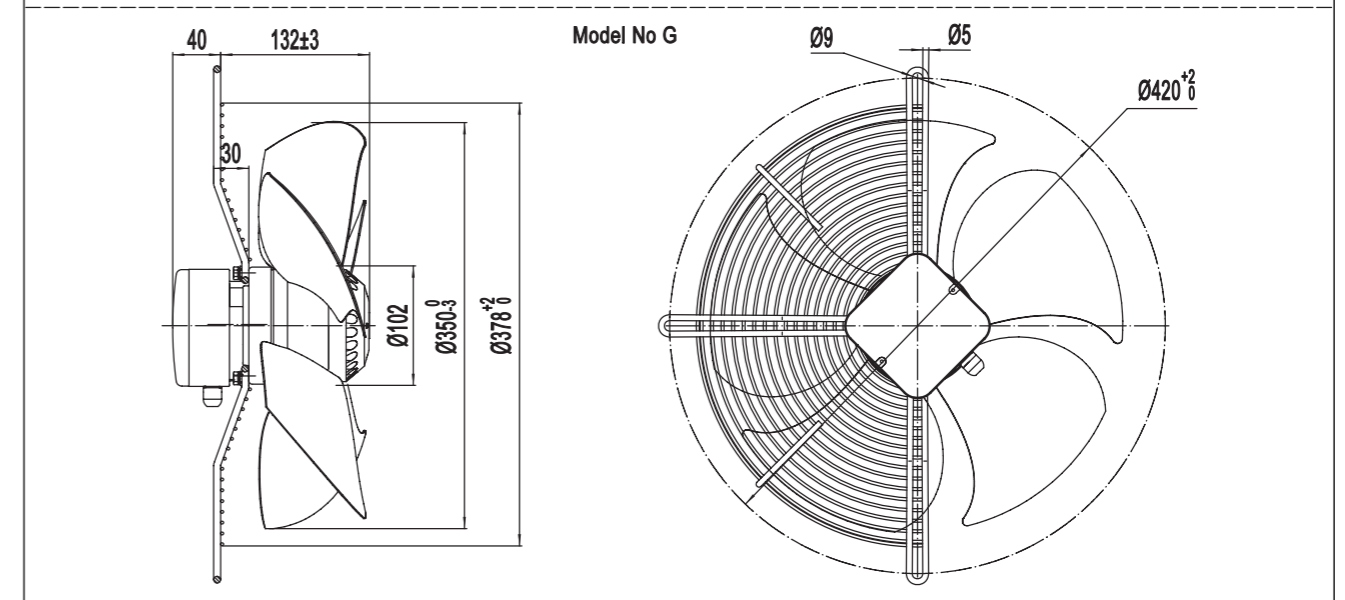
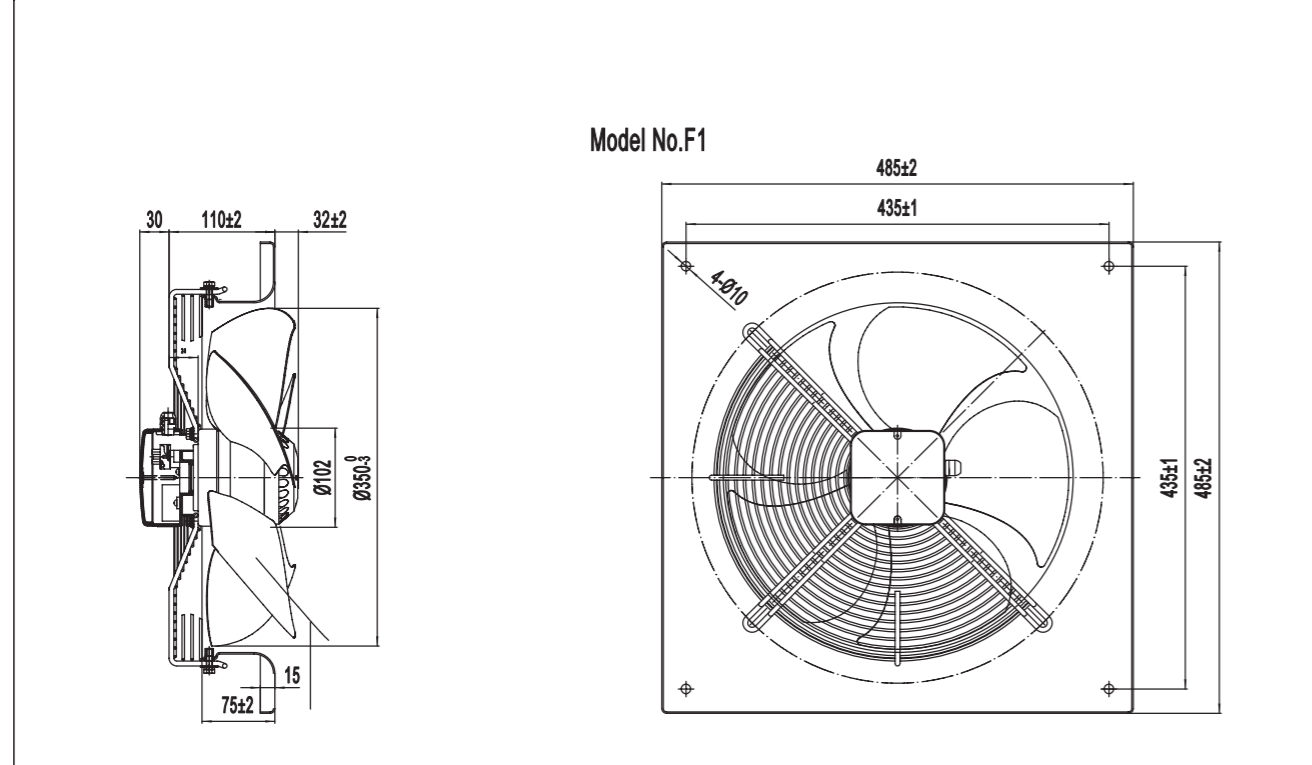
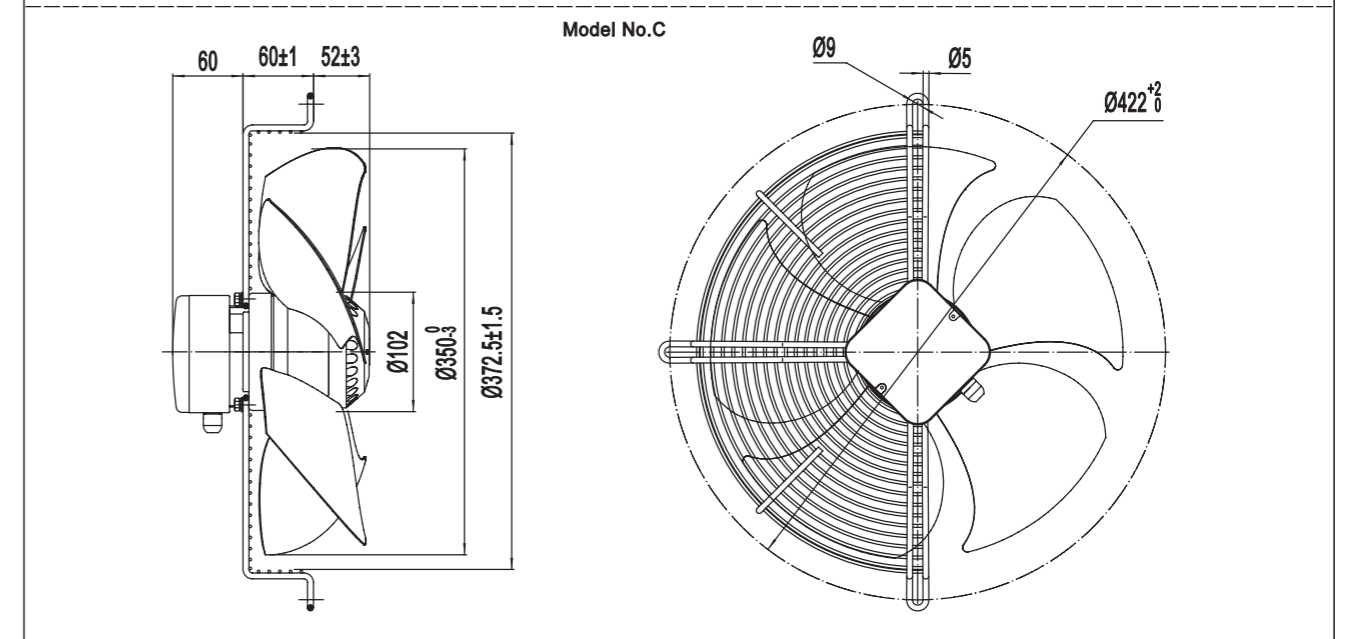


Φ350

Φ350

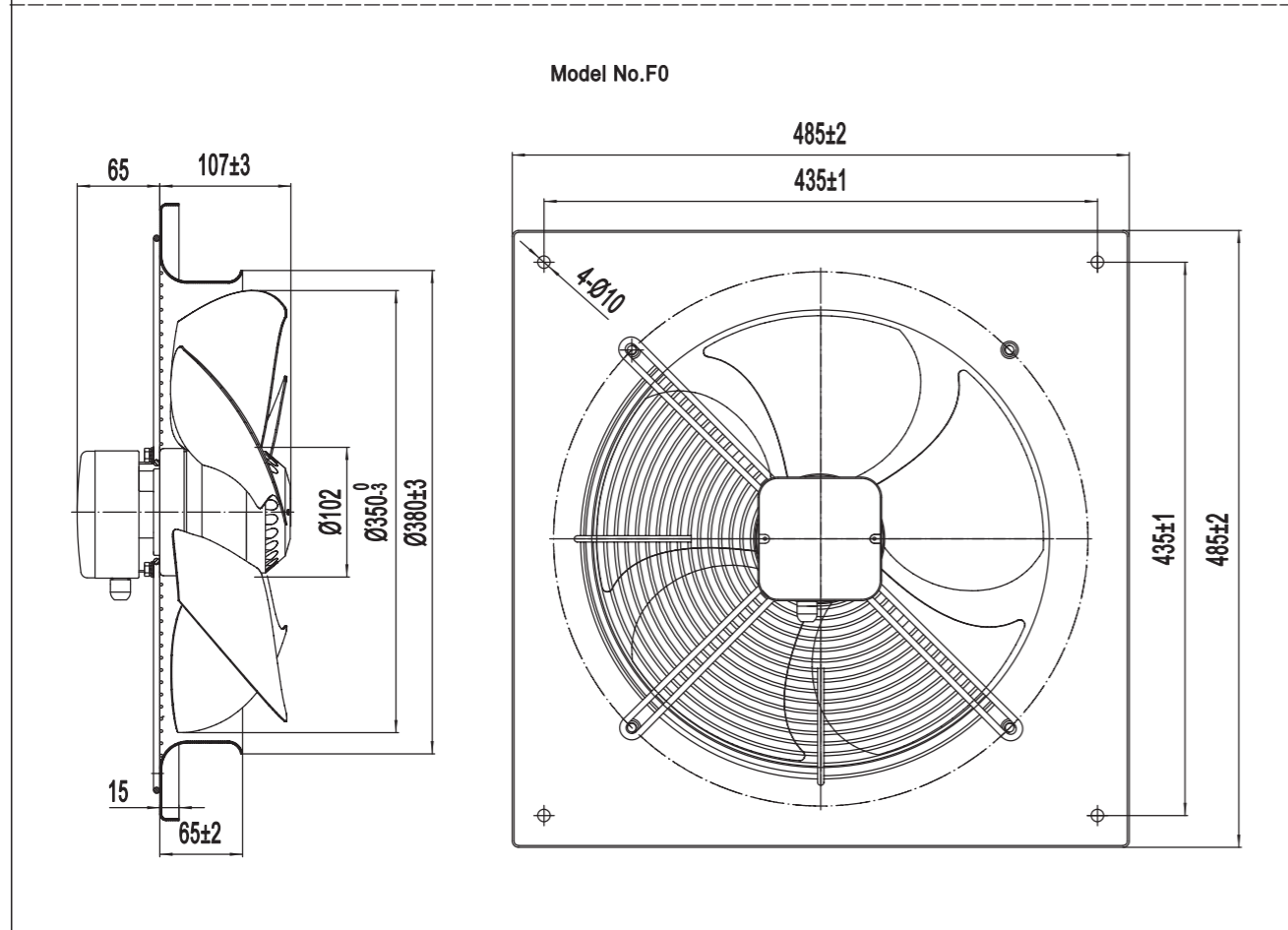
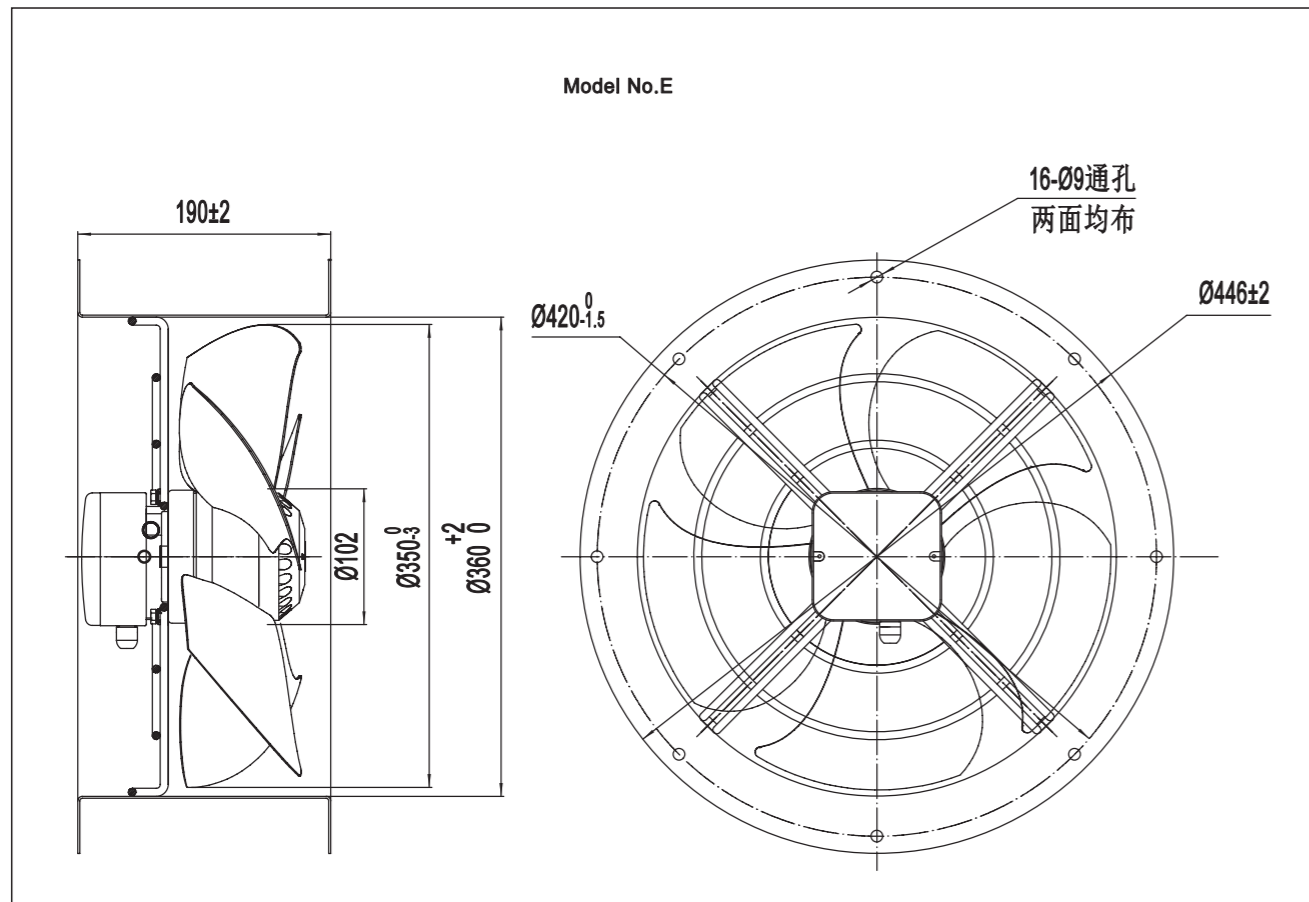


型号	电压 Voltage	频率 Frequency	电流 Current	输入功率 Input Power	转速 Speed	电容 Capacitor	风量 Air Flow	噪音 Noise	曲线 Curve No	运行温度 Operating Temperature	认证 Approvals
Model No. E	(V)	(Hz)	(A)	(W)	(RPM)	(μ F)	(m^3/h / CFM)	(dB(A))	(#)	(Min/Max°C)	
YWF.A4S-350S-5EIA00	220/230	50	0.60	135	1380	4	2670/1570	58	①	-30/+60	CCC;CE;Rohs
		60	0.83	190	1550		2900/1705	60	②		CCC;CE;Rohs;UL
YWF.A4T-350S-5EIA00	380/400	50	0.30	135	1360	/	2670/1570	58	①	-30/+60	CCC;CE;Rohs
		60	0.34	170	1500		2900/1705	60	②		CCC;CE;Rohs;UL
YWF.A6S-350S-5EIA00	220/230	50	0.40	80	950	3	1560/920	53	③	-30/+60	CCC;CE;Rohs
		60	0.37	83	1100		1800/1060	54	④		CCC;CE;Rohs;UL
YWF.A6T-350S-5EIA00	380/400	50	0.29	70	920	/	1560/920	53	④	-30/+60	CCC;CE;Rohs
		60	0.20	80	1070		1800/1060	54	③		CCC;CE;Rohs;UL
YWF.A4S-350S-5EIA05	115/120	50	1.20	135	1350	12	2670/1570	58	①	-30/+60	Rohs
		60	1.60	175	1500		2900/1705	60	②		Rohs;UL



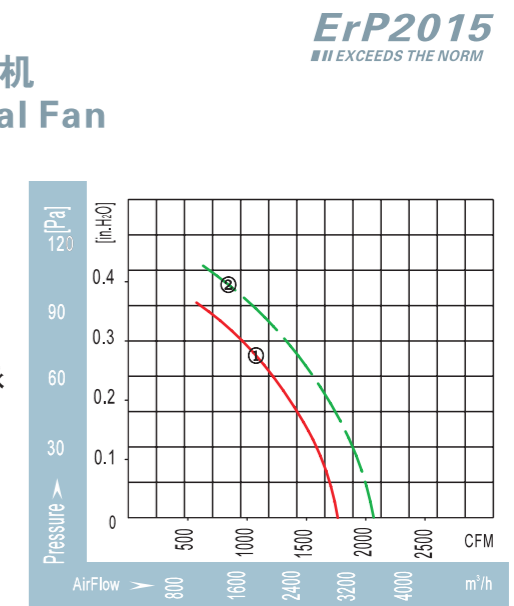
External Rotor Motor Powered Axial Fan
External Rotor Motor Powered Backward Centrifugal Fan
External Rotor Motor Powered Forward Centrifugal Fan
External Rotor Motor Powered Housing Centrifugal Fan
Duct Fan

外转子轴流风机
外转子后倾离心风机
外转子前倾离心风机
外转子蜗壳风机
管道风机



Ø350-7 系列轴流风机
Ø350-7 Series Axial Fan

材 质：转子铸铝
保护等级：IP54
绝缘等级：F
轴 承：免维护滚珠球轴承



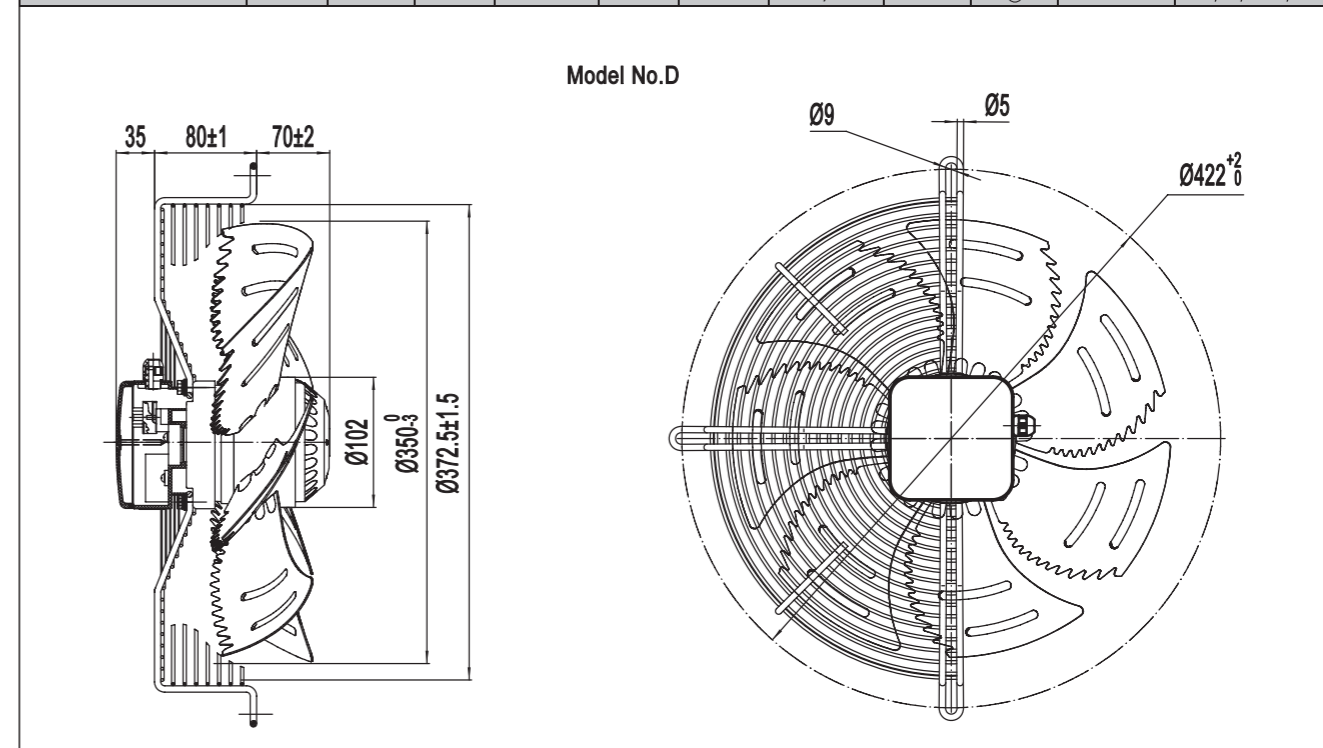
Material: IRotor: Aluminum Casting

Protection Class: IP54

Insulation Class: F

Bearing: Maintenance free ball bearing

Model No.D	电压 Voltage	频率 Frequency	电流 Current	输入功率 Input Power	转速 Speed	电容 Capacitor	风量 Air Flow	噪音 Noise	曲线 Curve No	运行温度 Operating Temperature	认证 Approvals
YWF.A4S-350S-7DIA01	220/230	50	0.77	170	1380	6	3000/1765	59	①	-30/+60	CCC;CE;Rohs
		60	1.20	250	1550		3400/2000	61	②		CCC;CE;Rohs;UL
YWF.A4T-350S-7DIA01	380/400	50	0.48	170	1380	/	3000/1765	59	①	-30/+60	CCC;CE;Rohs
		60	0.45	250	1550		3400/2000	61	②		CCC;CE;Rohs;UL



Φ380

Φ400

ErP2015

ErP2015
EXCEEDS THE NORM

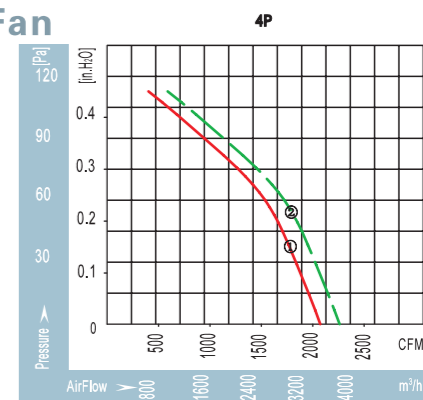
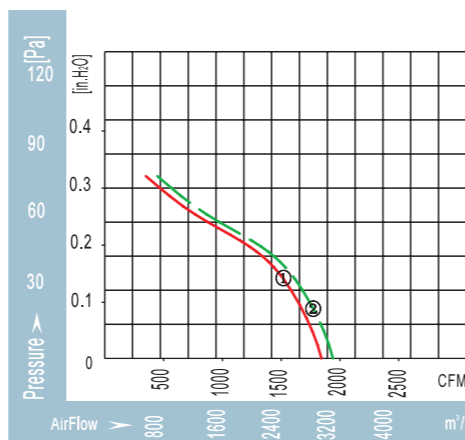
Ø380-5 系列轴流风机
Ø380-5 Series Axial Fan

Ø400-5 系列轴流风机
Ø400-5 Series Axial Fan



材 质：转子铸铝
保护等级：IP54
绝缘等级：F
轴 承：免维护滚珠球轴承

材 质：转子铸铝
Material: Rotor: Aluminum Casting
保护等级：IP54
Protection Class: IP54
绝缘等级：F
Insulation Class: F
轴 承：免维护滚珠球轴承
Bearing: Maintenance free ball bearing



Material: Irotor: Aluminum Casting

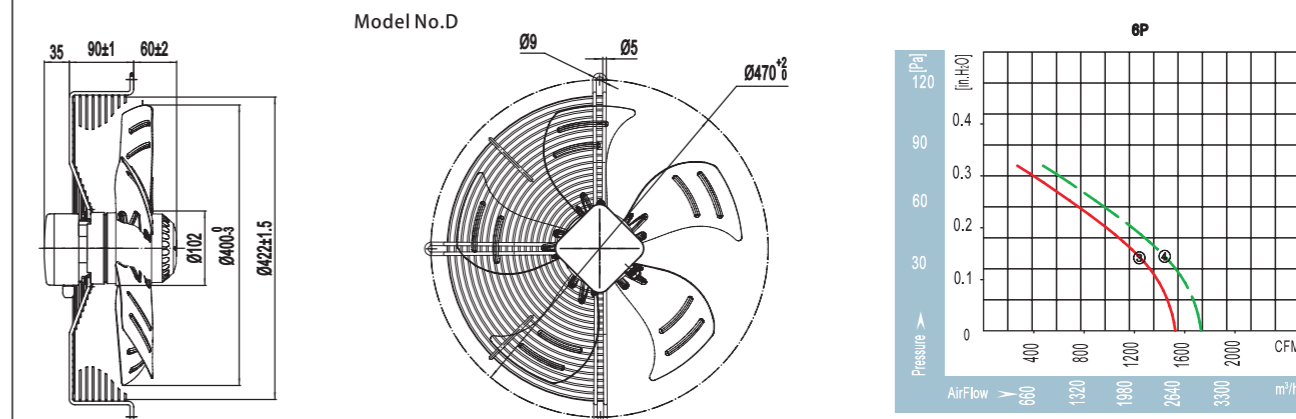
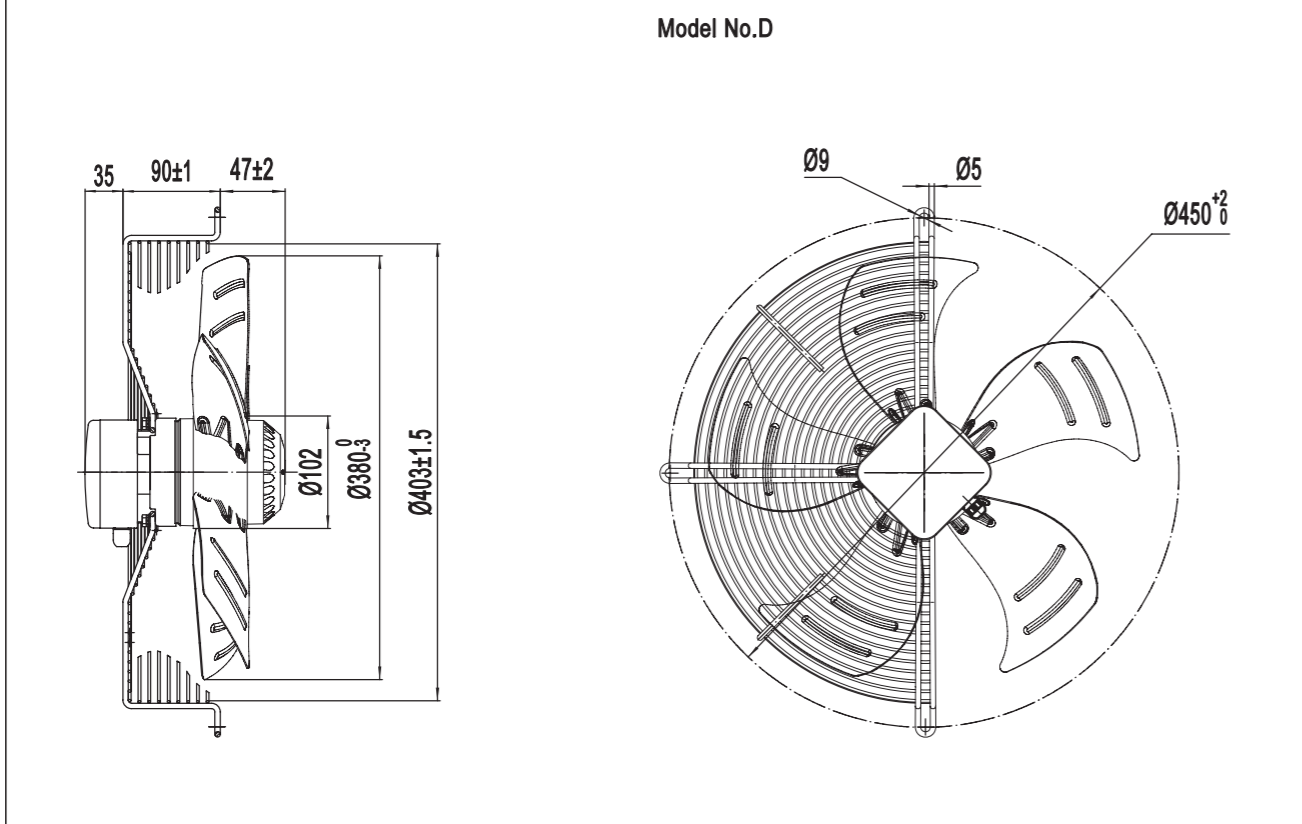
Protection Class: IP54

Insulation Class: F

Bearing: Maintenance free ball bearing

Model No.	电压 Voltage	频率 Frequency	电 流 Current	输入功率 Input Power	转 速 Speed	电 容 Capacitor	风 量 Air Flow	噪 音 Noise	曲 线 Curve No	运行温度 Operating Temperature	认 证 Approvals
Model No.D	(V)	(Hz)	(A)	(W)	(RPM)	(μ F)	(m^3/h / CFM)	(dB(A))	(#)	(Min/Max°C)	
YWF.A4S-380S-5DIA00	220/230	50	0.64	150	1360	4	3100/1823	59	①	-30/+60	CCC;CE;Rohs
		60	0.90	190	1550		3300/1941	61	②		CCC;CE;Rohs;UL
YWF.A4T-380S-5DIA00	380/400	50	0.30	140	1360	/	3100/1823	59	①	-30/+61	CCC;CE;Rohs
		60	0.42	190	1550		3300/1941	61	②		CCC;CE;Rohs;UL

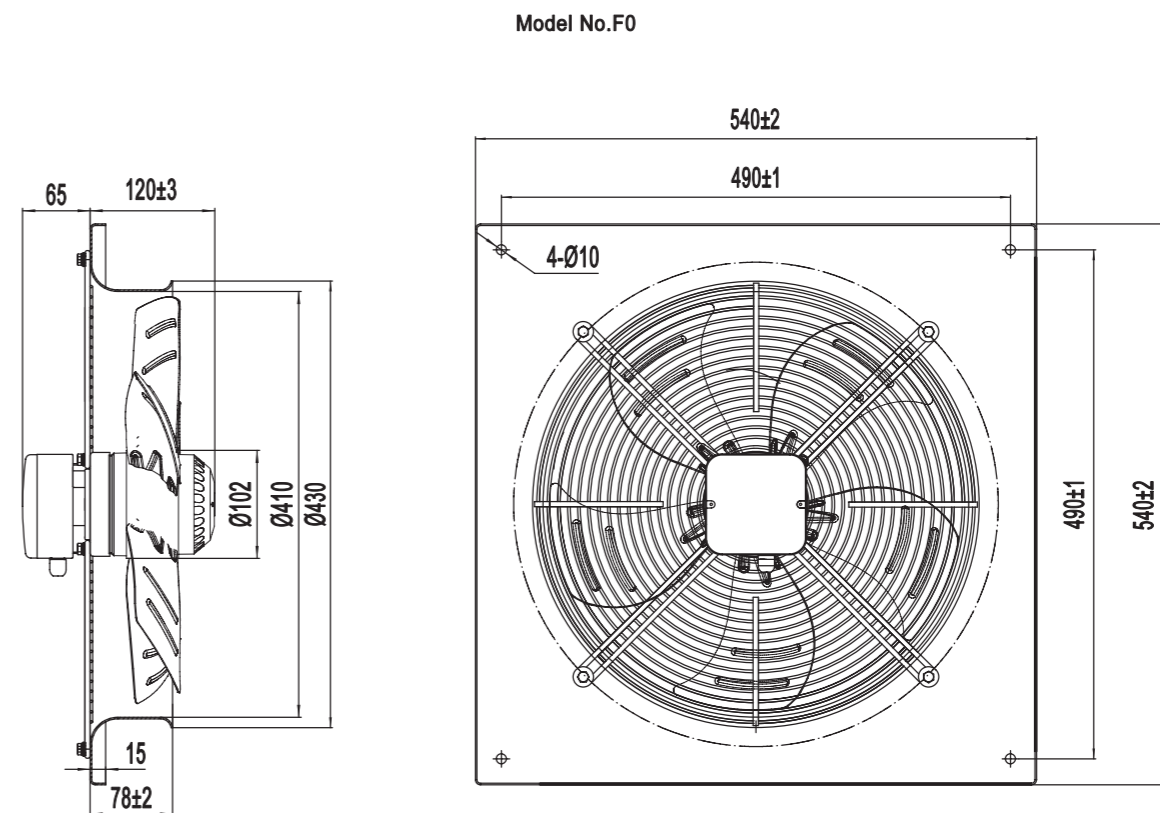
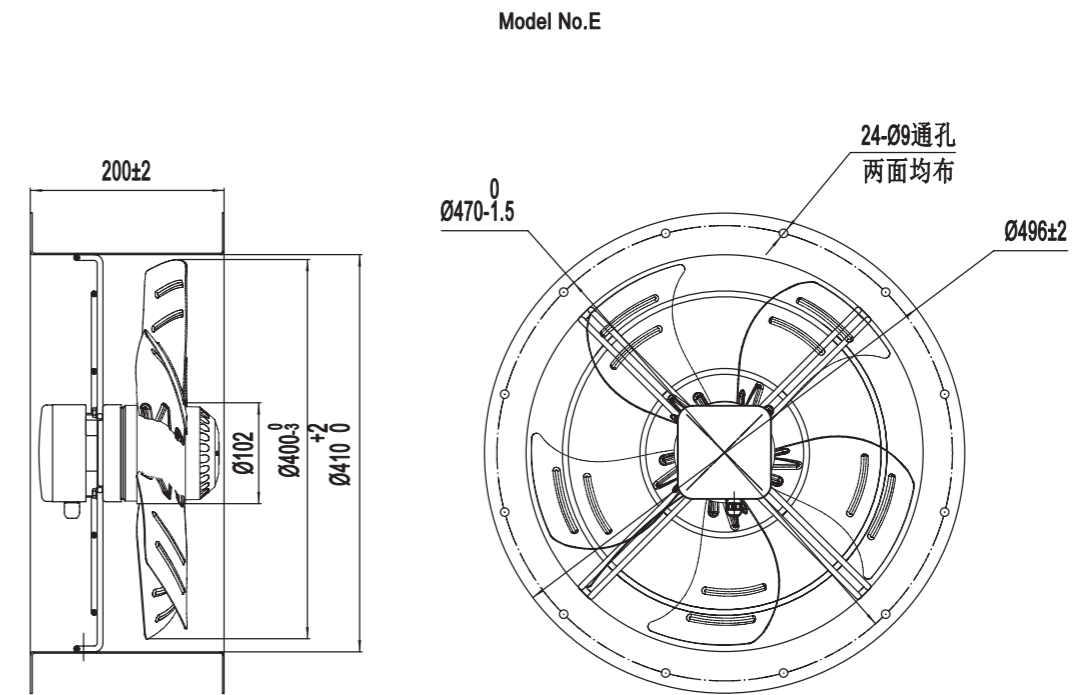
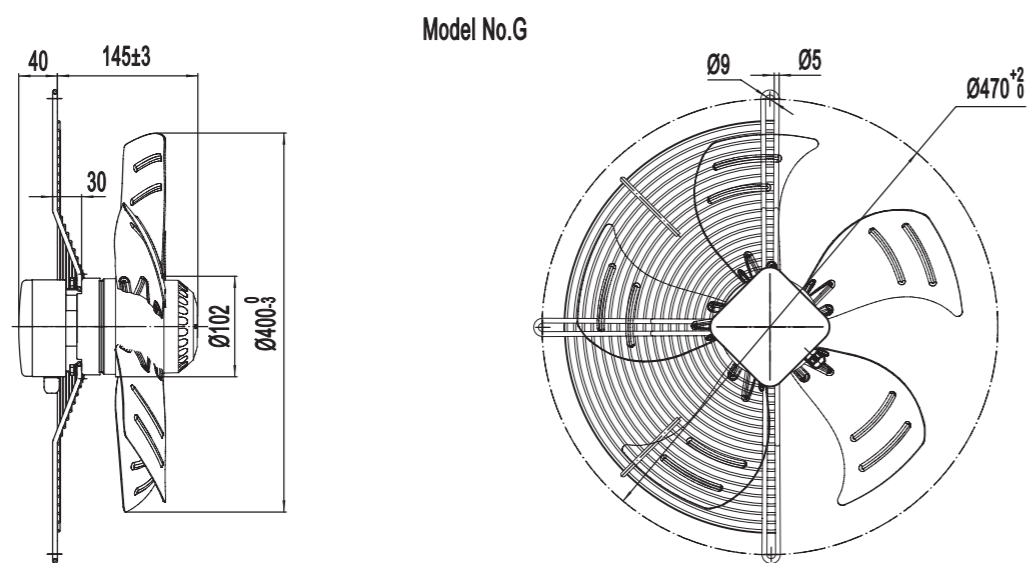
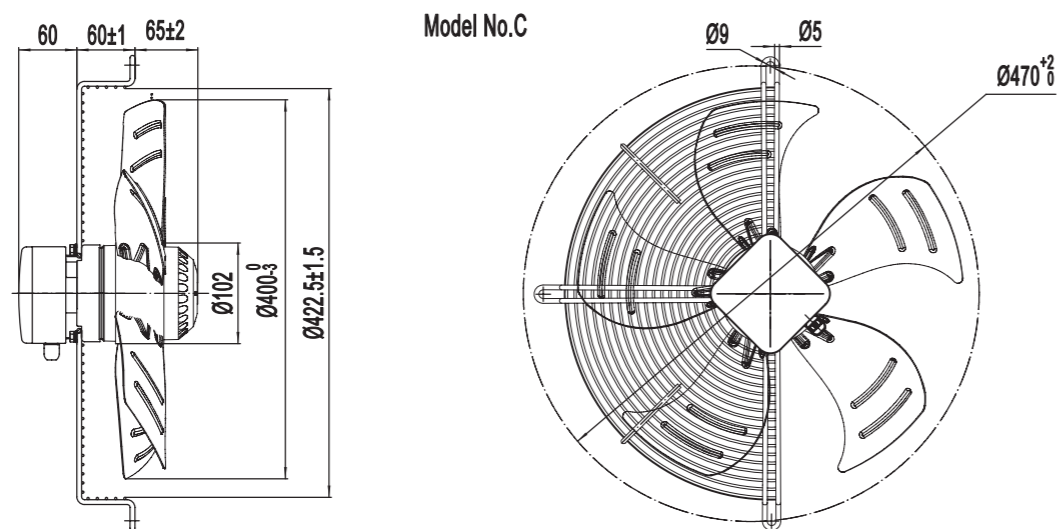
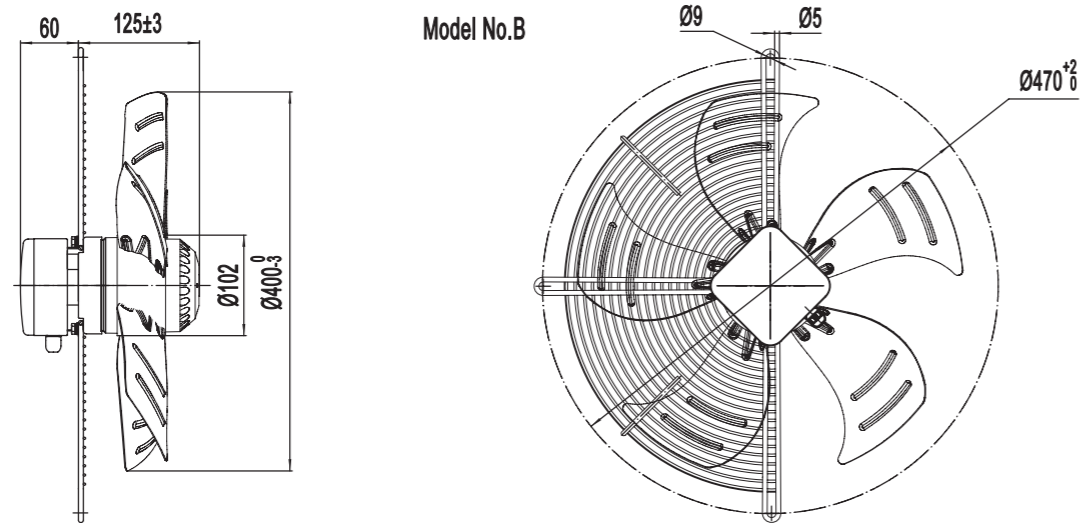
Model No. B	Model No. C	Model No. D	Model No. G	Model No. F0	Model No. F1
YWF.A4S-400S-5BIA00	YWF.A4S-400S-5CIA00	YWF.A4S-400S-5DIA00	YWF.A4S-400S-5GIA00	YWF.A4S-400S-5FIA00	/
YWF.A4T-400S-5BIA00	YWF.A4T-400S-5CIA00	YWF.A4T-400S-5DIA00	YWF.A4T-400S-5GIA00	YWF.A4T-400S-5FIA00	/
YWF.A6S-400S-5BIA00	YWF.A6S-400S-5CIA00	YWF.A6S-400S-5DIA00	YWF.A6S-400S-5GIA00	YWF.A6S-400S-5FIA00	/
YWF.A6T-400S-5BIA00	YWF.A6T-400S-5CIA00	YWF.A6T-400S-5DIA00	YWF.A6T-400S-5GIA00	YWF.A6T-400S-5FIA00	/
YWF.A4S-400S-5BIA05	YWF.A4S-400S-5CIA05	YWF.A4S-400S-5DIA05	YWF.A4S-400S-5GIA05	YWF.A4S-400S-5FIA05	/
YWF.A6S-400S-5BIA05	YWF.A6S-400S-5CIA05	YWF.A6S-400S-5DIA05	YWF.A6S-400S-5GIA05	YWF.A6S-400S-5FIA05	/



Model No. E	电压 Voltage	频率 Frequency	电 流 Current	输入功率 Input Power	转 速 Speed	电 容 Capacitor	风 量 Air Flow	噪 音 Noise	曲 线 Curve No	运行温度 Operating Temperature	认 证 Approvals
Model No. E	(V)	(Hz)	(A)	(W)	(RPM)	(μ F)	(m^3/h / CFM)	(dB(A))	(#)	(Min/Max°C)	
YWF.A4S-400S-5EIA00	220/230	50	0.90	190	1350	6	3500/2060	60	①	-30/+60	CCC;CE;Rohs
		60	1.22	270	1580		3800/2235	65	②		CCC;CE;Rohs;UL
YWF.A4T-400S-5EIA00	380/400	50	0.50	190	1370	/	3500/2060	60	①	-30/+60	CCC;CE;Rohs
		60	0.47	245	1620		3800/2235	65	②		CCC;CE;Rohs;UL
YWF.A6S-400S-5EIA00	220/230	50	0.50	110	950	4	2800/1647	55	③	-30/+60	CCC;CE;Rohs
		60	0.54	120	1100		3000/1765	57	④		CCC;CE;Rohs;UL
YWF.A6T-400S-5EIA00	380/400	50	0.31	110	930	/	2800/1647	55	④	-30/+60	CCC;CE;Rohs
		60	0.30	135	1050		3000/1765	57	③		CCC;CE;Rohs;UL
YWF.A4S-400S-5EIA05	115/120	50	1.70	190	1350	24	3500/2060	60	①	-30/+60	Rohs
		60	2.20	270	1500		3800/2235	65	②		Rohs;UL
YWF.A6S-400S-5EIA05	115/120	50	0.80	80	920	12	2800/1647	55	③	-30/+60	Rohs
		60	1.10	110	1000		3000/1765	57	④		Rohs;UL

Φ400

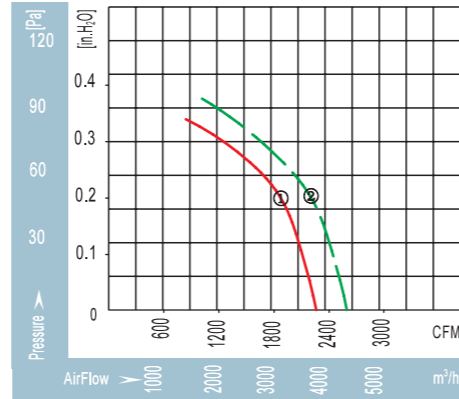
Φ400





Ø400-7 系列轴流风机
Ø400-7 Series Axial Fan

材 质：转子铸铝
保护等级：IP54
绝缘等级：F
轴 承：免维护滚珠球轴承



Material: Irotor: Aluminum Casting

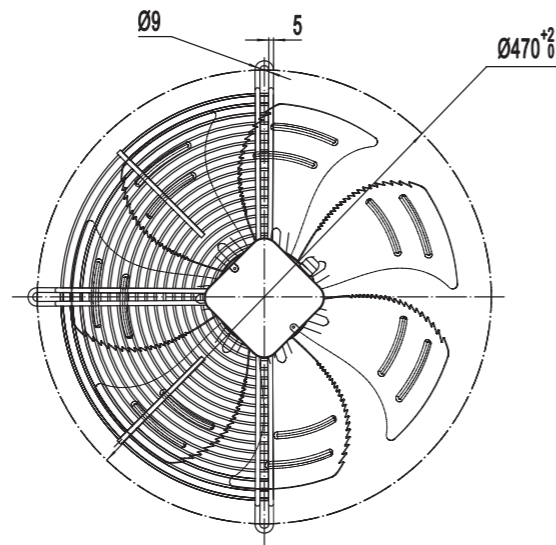
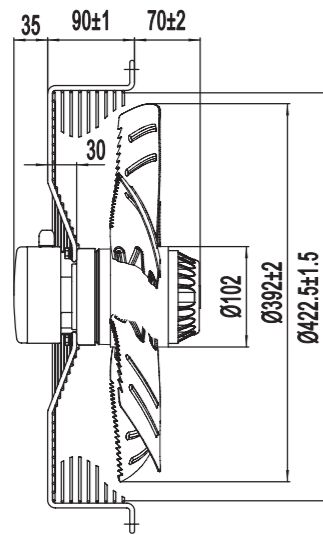
Protection Class: IP54

Insulation Class: F

Bearing: Maintenance free ball bearing

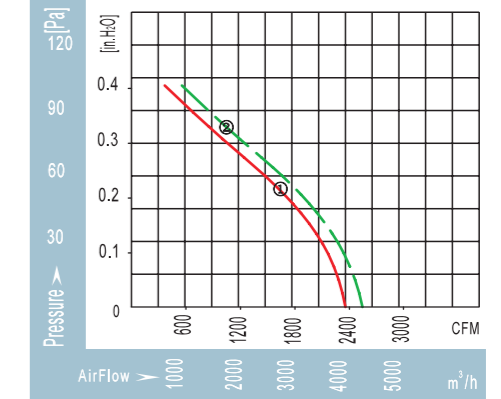
Model No.D	电压 (V)	频率 (Hz)	电流 (A)	输入功率 (W)	转速 (RPM)	电容 (μF)	风量 (m³/h / CFM)	噪音 (dB(A))	曲线 (#)	运行温度 (Min/Max°C)	认证 Approvals
YWF.A4S-400S-7DIA00	220/230	50	1.07	230	1350	7	3800/2235	62	①	-30/+60	CCC;CE;Rohs
		60	1.65	360	1550		4400/2588	64	②		
YWF.A4T-400S-7DIA00	380/400	50	0.65	230	1350	/	3800/2235	62	①	-30/+60	CCC;CE;Rohs
		60	0.60	336	1550		4400/2588	64	②		

Model No.D



Ø420-5 102系列轴流风机
Ø420-5 102Series Axial Fan

材 质：转子铸铝
保护等级：IP54
绝缘等级：F
轴 承：免维护滚珠球轴承



Material: IRotor: Aluminum Casting

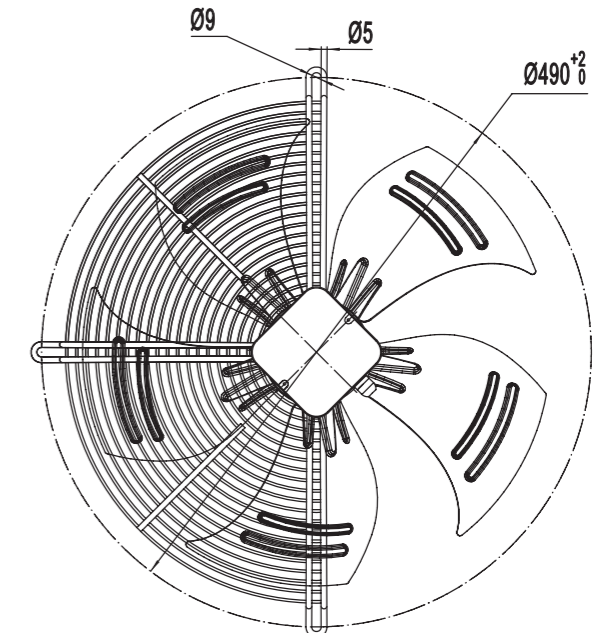
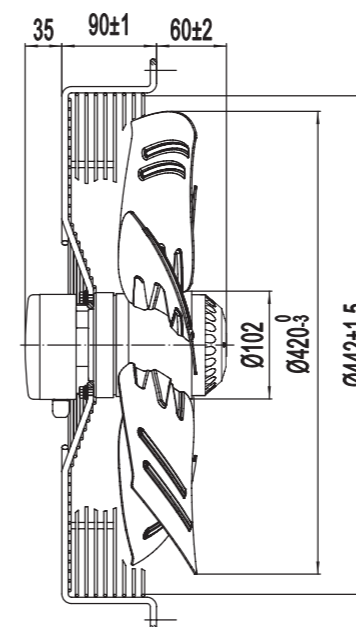
Protection Class: IP54

Insulation Class: F

Bearing: Maintenance free ball bearing

Model No. D	电压 (V)	频率 (Hz)	电流 (A)	输入功率 (W)	转速 (RPM)	电容 (μF)	风量 (m³/h / CFM)	噪音 (dB(A))	曲线 (#)	运行温度 (Min/Max°C)	认证 Approvals
YWF.A4S-420S-5DIA00	220/230	50	1.10	220	1350	6	4020/2365	61	①	-30/+60	CCC;CE;Rohs
		60	1.30	300	1500		4300/2530	63	②		
YWF.A4T-420S-5DIA00	380/400	50	0.54	215	1350	/	4020/2365	61	①	-30/+60	CCC;CE;Rohs
		60	0.79	290	1500		4300/2530	63	②		

Model No.D



Φ450

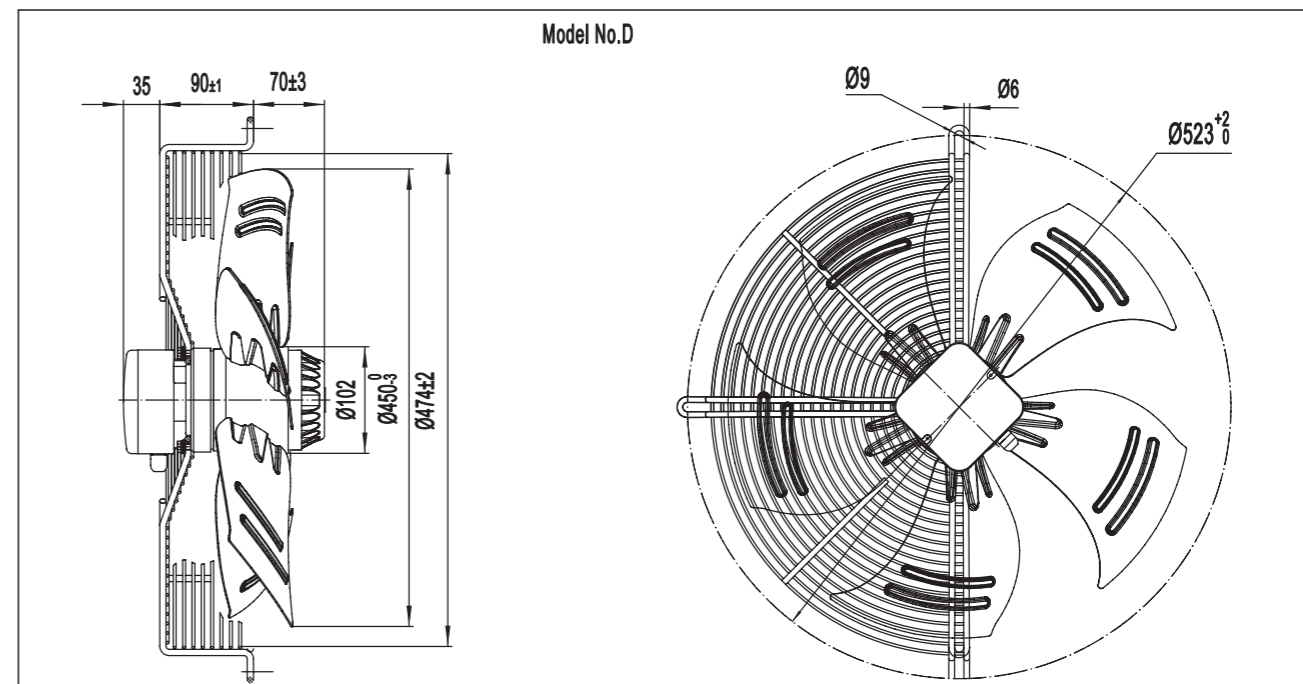
Φ450



Ø450-5 102系列轴流风机
Ø450-5 102Series Axial Fan

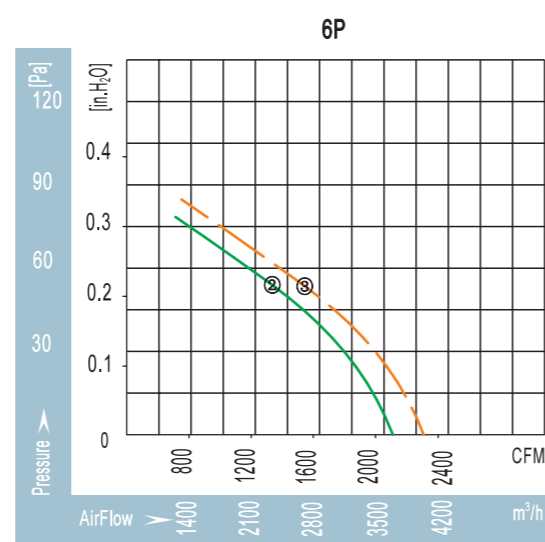
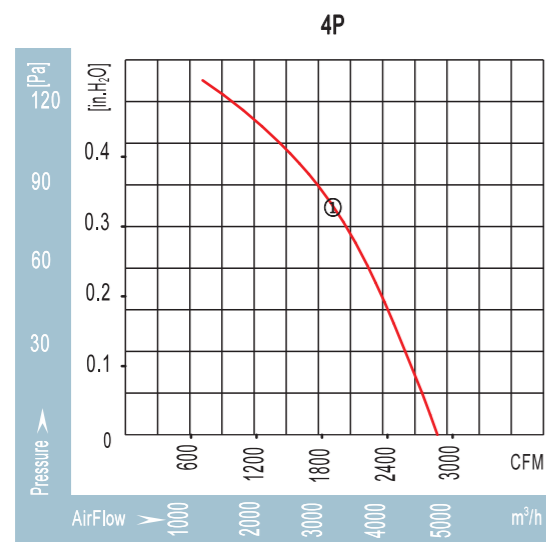
材 质：转子铸铝
Material: Rotor: Aluminum Casting
保护等级：IP54
Protection Class: IP54
绝缘等级：F
Insulation Class: F
轴 承：免维护滚珠轴承
Bearing: Maintenance free ball bearing

ErP2015
III EXCEEDS THE NORM



Model No. E	电压 Voltage (V)	频率 Frequency (Hz)	电流 Current (A)	输入功率 Input Power (W)	转速 Speed (RPM)	电容 Capacitor (μF)	风量 Air Flow (m³/h / CFM)	噪音 Noise (dB(A))	曲线 Curve No (#)	运行温度 Operating Temperature (Min/Max°C)	认证 Approvals
YWF.A4S-450S-5EIA00	220/230	50	1.15	250	1350	7	4800/2825	62	①	-30/+60	CCC;CE;Rohs
		60	1.50	300	1600		4800/2825	64	①		CCC;CE;Rohs;UL
YWF.A4T-450S-5EIA00	380/400	50	0.55	250	1380	/	4800/2825	62	①	-30/+60	CCC;CE;Rohs
		60	0.53	280	1600		4800/2825	64	①		CCC;CE;Rohs;UL
YWF.A6S-450S-5EIA00	220/230	50	0.65	135	920	6	3600/2117	56	②	-30/+60	CCC;CE;Rohs
		60	0.79	175	1100		3900/2294	58	③		CCC;CE;Rohs;UL
YWF.A6T-450S-5EIA00	380/400	50	0.33	120	910	/	3600/2117	56	②	-30/+60	CCC;CE;Rohs
		60	0.34	145	1030		3900/2294	58	③		CCC;CE;Rohs;UL
YWF.A4S-450S-5EIA05	115/120	50	2.20	240	1350	22	4800/2650	62	①	-30/+60	Rohs
		60	2.40	300	1600		4800/2825	64	①		Rohs;UL

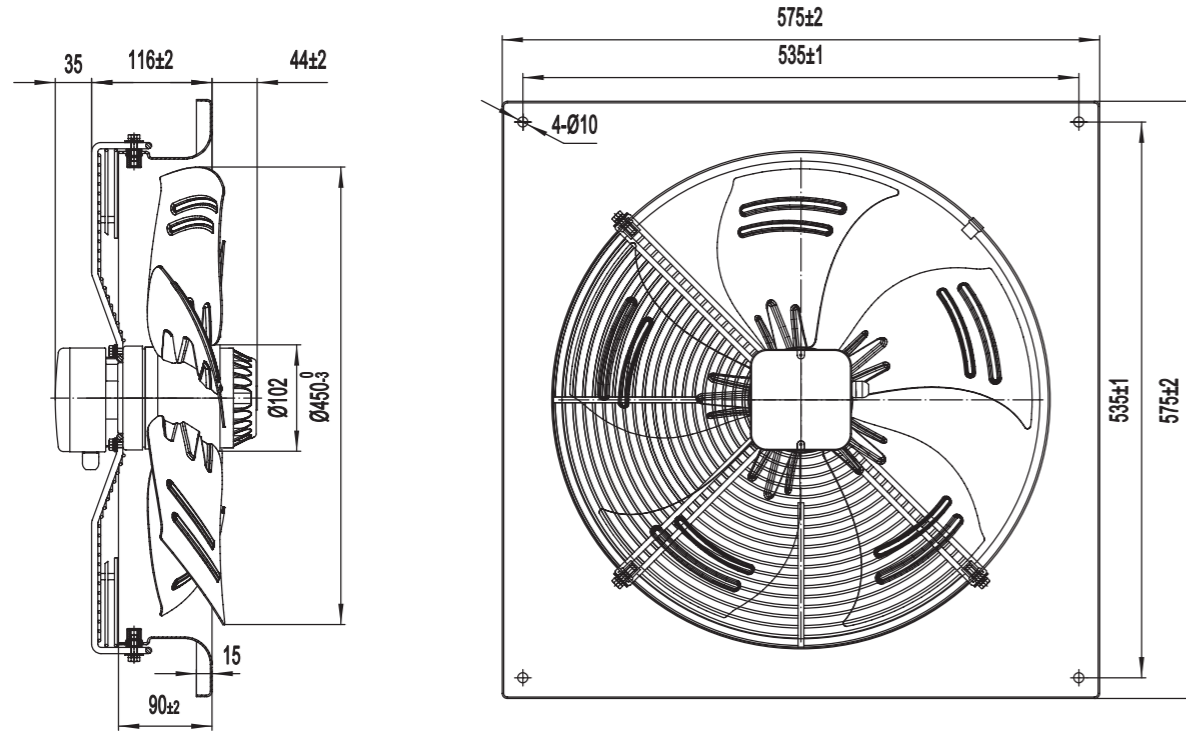
B 型网罩	C 型网罩	D 型网罩	G 型网罩	F 型正扣面板	F 型反扣面板
Model No. B	Model No. C	Model No. D	Model No. G	Model No. F0	Model No. F1
YWF.A4S-450S-5BIA00	YWF.A4S-450S-5CIA00	YWF.A4S-450S-5DIA00	YWF.A4S-450S-5GIA00	YWF.A4S-450S-5FIA00	YWF.A4S-450S-5FIA01
YWF.A4T-450S-5BIA00	YWF.A4T-450S-5CIA00	YWF.A4T-450S-5DIA00	YWF.A4T-450S-5GIA00	YWF.A4T-450S-5FIA00	YWF.A4T-450S-5FIA01
YWF.A6S-450S-5BIA00	YWF.A6S-450S-5CIA00	YWF.A6S-450S-5DIA00	YWF.A6S-450S-5GIA00	YWF.A6S-450S-5FIA00	YWF.A6S-450S-5FIA01
YWF.A6T-450S-5BIA00	YWF.A6T-450S-5CIA00	YWF.A6T-450S-5DIA00	YWF.A6T-450S-5GIA00	YWF.A6T-450S-5FIA00	YWF.A6T-450S-5FIA01
YWF.A4S-450S-5BIA05	YWF.A4S-450S-5CIA05	YWF.A4S-450S-5DIA05	YWF.A4S-450S-5GIA05	YWF.A4S-450S-5FIA05	YWF.A4S-450S-5FIA15



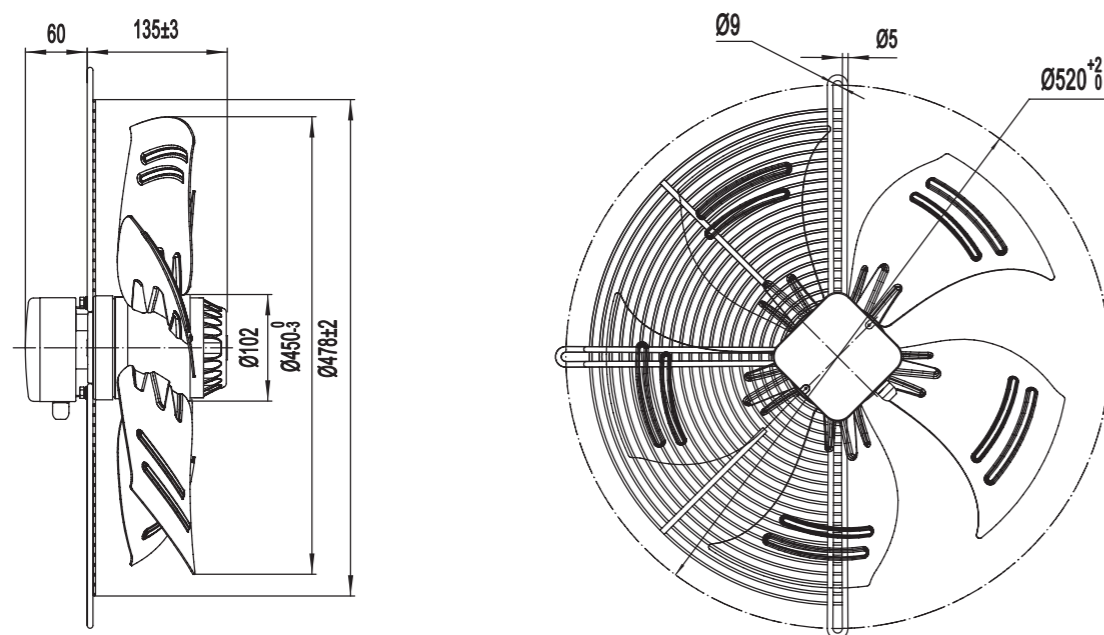
Φ450

Φ450

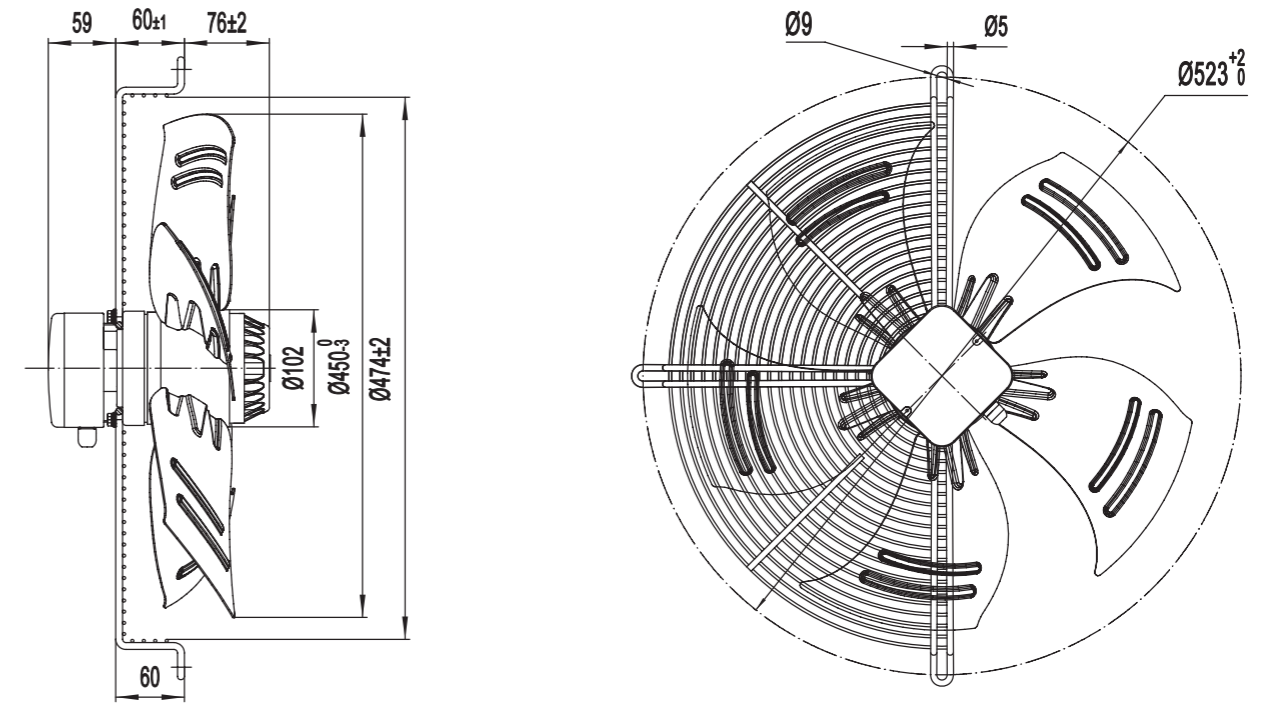
Model No.F1



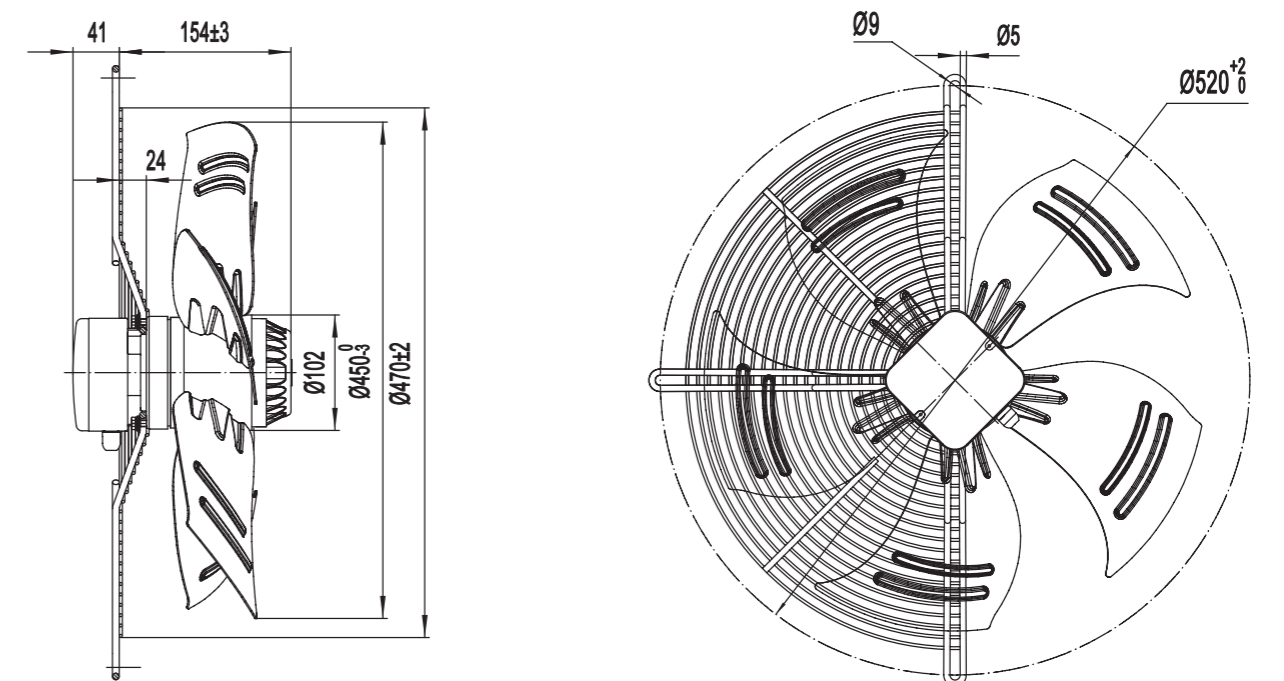
Model No.B



Model No.C



Model No.G



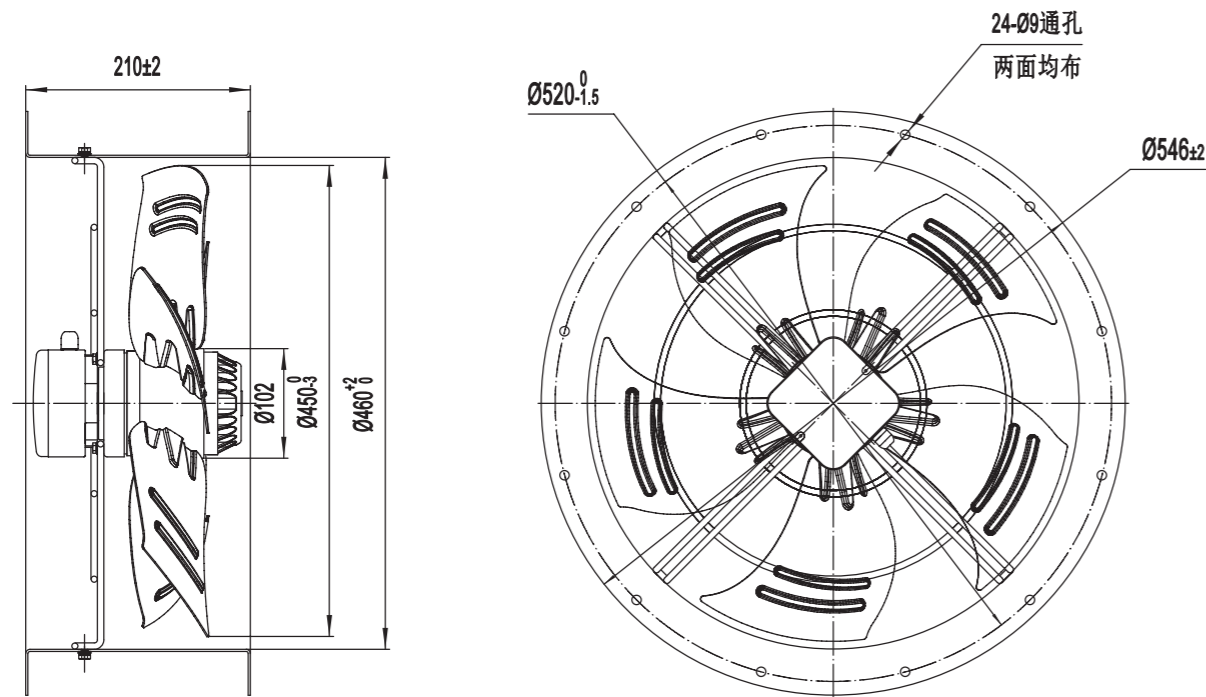
External Rotor Motor Powered Axial Fan
External Rotor Motor Powered Backward Centrifugal Fan
External Rotor Motor Powered Forward Centrifugal Fan
External Rotor Motor Powered Housing Centrifugal Fan
Duct Fan

外转子轴流风机
外转子后倾离心风机
外转子前倾离心风机
外转子蜗壳风机
管道风机

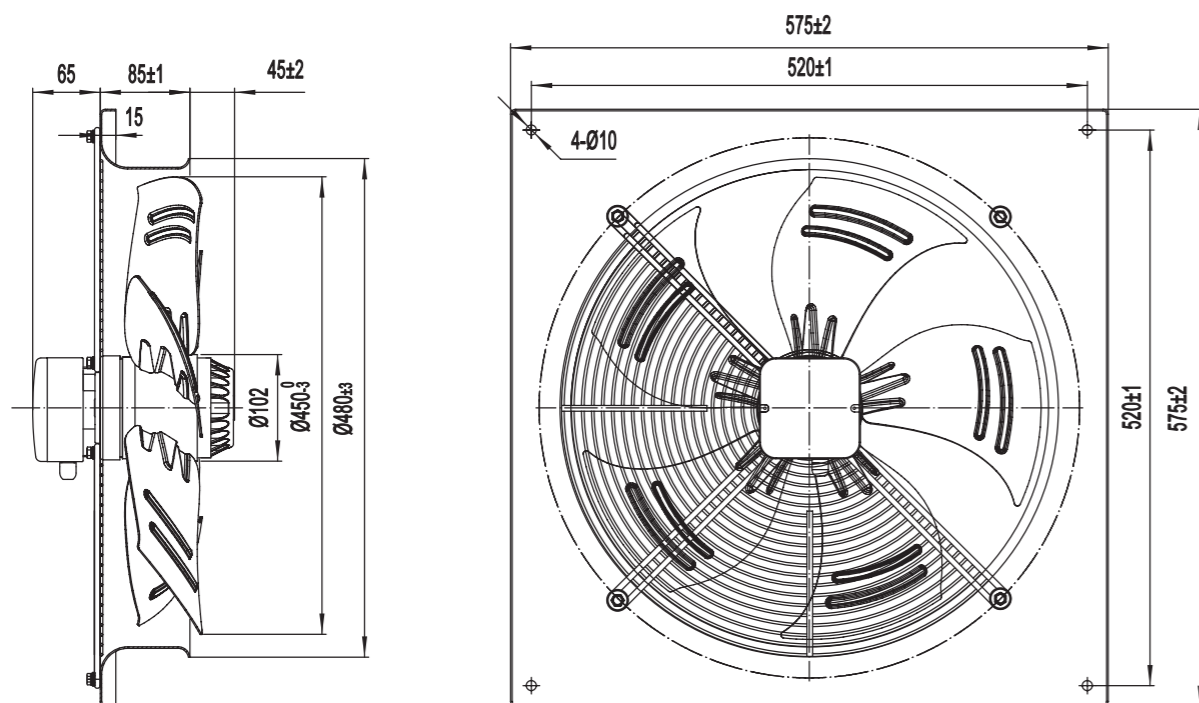
Φ450

Φ420

Model No.E



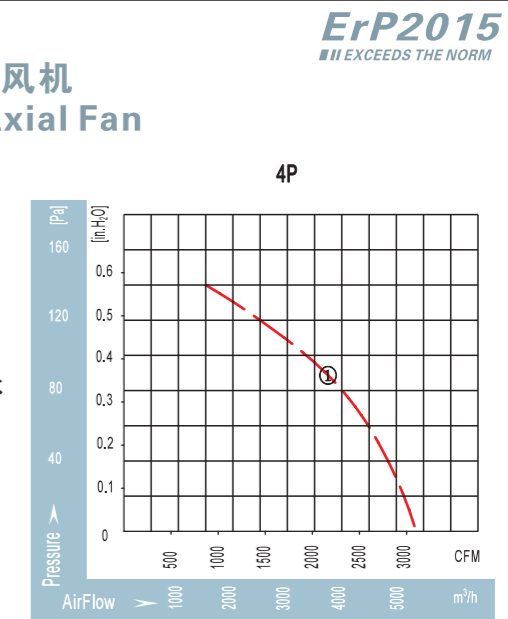
Model No.F0



Ø420-5 137系列轴流风机
Ø420-5 137Series Axial Fan

材 质：转子铸铝
保护等级：IP54
绝缘等级：F
轴 承：免维护滚珠球轴承

Material: Irotor: Aluminum Casting
Protection Class: IP54
Insulation Class: F
Bearing: Maintenance free ball bearing



Model No. D	电压 Voltage (V)	频率 Frequency (Hz)	电流 Current (A)	输入功率 Input Power (W)	转速 Speed (RPM)	电容 Capacitor (μF)	风量 Air Flow (m ³ /h / CFM)	噪音 Noise (dB(A))	曲线 Curve No (#)	运行温度 Operating (Min/Max°C)	认证 Approvals
YWF.A4S-420S-5DIAR0	220/230	50	1.50	330	1350	10	5300/3124	65	①	-30/+60	CCC;CE;Rohs
YWF.A4T-420S-5DIAR0	380/400	50	0.85	330	1350	/	5300/3124	65	①	-30/+60	CCC;CE;Rohs

