



SPECIFICATIONS OF COMPRESSOR

Model No: C-SCP360H38A

Output : 11 HP



DALIAN SANYO COMPRESSOR Co.,Ltd.
SANYO Electric Co.,Ltd.

22-Nov-10

GENERAL SPECIFICATIONS

Model No:	C-SCP360H38A	
Application		
Evaporating Temp Range	(°C)	-15.0 ~ 12.0
Refrigerant	R410A	
Compressor Cooling	Natural Cooling	
Rated Performance		
Capacity	(W)	29800 / 35900
Input	(W)	9900 / 11900
Current	(A)	16.9 / 17.4
Sound Level	(dB(A))	68 / 70
Rating Conditions		
Power Source	3-PH 50/60Hz 380/440V	
Evaporating Temp	(°C)	7.2
Condensing Temp	(°C)	54.4
Suction Gas Temp	(°C)	18.3
Liquid Temp	(°C)	46.1
Ambient Temp	(°C)	35.0
Measuring Point of Sound Level		
Distance from the Compressor	(m)	1.0
Compressor		
Design	Hermetic Scroll	
Displacement	(cm ³)	120.2
Suction Line Connection	(Φ mm OD)	25.4
Discharge Line Connection	(Φ mm OD)	19.05
Oil	(ml)	2800 (FV68S)
Mass(Incl.Oil)	(kg)	69
Motor		
Type	3-PH Induction Motor(3IR)	
Pole	2	
Rated Power Source	3-PH 50/60Hz 380,415/440V	
Voltage Range	(V)	342~456 / 396~484
Starting Current	(A)	96, 102 / 101

DALIAN SANYO COMPRESSOR Co.,Ltd.
SANYO Electric Co.,Ltd.

PERFORMANCE DATA

Code No.	C-SCP360H38A
Power Source	3-PH 50Hz 380V
Condensing Temp.(°C)	40.5, 45, 50, 54.4, 60, 65
Suction Gas Superheat(K)	11.1
Sub Cooled(K)	8.3
Compressor Cooling	Natural Cooling
Refrigerant	R410A

Capacity (W)

		Evaporating Temp. (°C)						
		-10	-6.7	0	4.4	7.2	10	12
Condensing Temp. (°C)	40.5	19,345	21,670	27,288	31,747	34,957	38,492	41,234
	45.0	18,504	20,700	25,994	30,187	33,201	36,516	39,084
	50.0	17,609	19,670	24,624	28,538	31,347	34,432	36,820
	54.4	16,857	18,804	23,477	27,160	29,800	32,696	34,936
	60.0		17,759	22,096	25,506	27,944	30,616	32,680
	65.0			20,939	24,121	26,394	28,881	30,799

Input (W)

		Evaporating Temp. (°C)						
		-10	-6.7	0	4.4	7.2	10	12
Condensing Temp. (°C)	40.5	7,662	7,519	7,317	7,247	7,228	7,230	7,244
	45.0	8,254	8,170	8,050	8,007	7,995	7,994	8,001
	50.0	8,975	8,971	8,963	8,959	8,957	8,955	8,954
	54.4	9,663	9,742	9,854	9,891	9,900	9,898	9,889
	60.0		10,816	11,103	11,203	11,230	11,228	11,210
	65.0			12,330	12,495	12,541	12,540	12,512

Current (A)

		Evaporating Temp. (°C)						
		-10	-6.7	0	4.4	7.2	10	12
Condensing Temp. (°C)	40.5	13.51	13.36	13.15	13.07	13.05	13.05	13.06
	45.0	14.40	14.33	14.23	14.19	14.18	14.18	14.18
	50.0	15.47	15.50	15.55	15.56	15.57	15.56	15.56
	54.4	16.47	16.61	16.81	16.88	16.90	16.90	16.88
	60.0		18.14	18.56	18.71	18.75	18.75	18.72
	65.0			20.26	20.48	20.55	20.55	20.51

Coefficients of Polynomial Formula

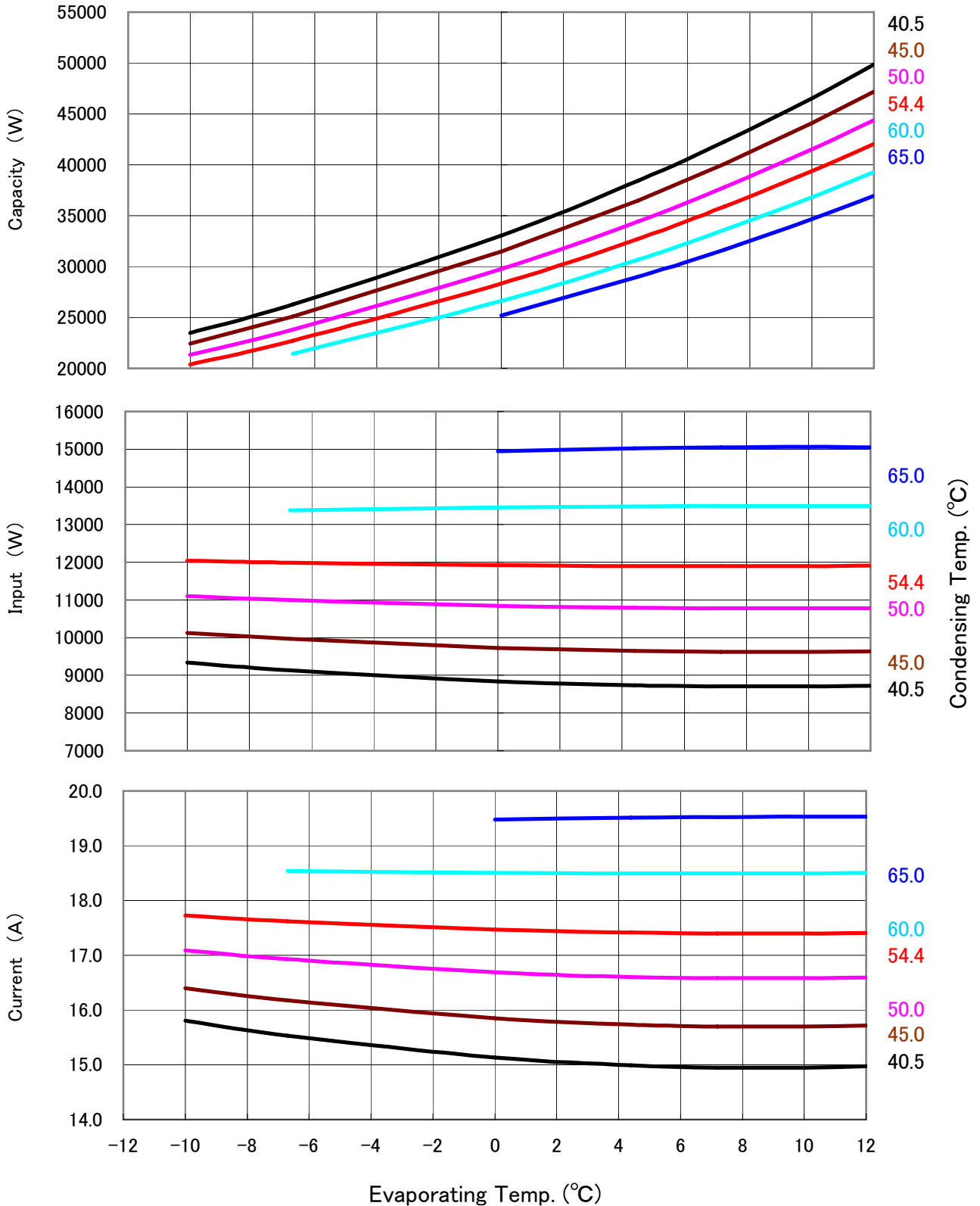
	Capacity (W)	Input (W)	Current (A)
C1	4.283807E+04	4.816383E+03	8.274288E+00
C2	1.406214E+03	-1.267423E+02	-1.608533E-01
C3	-4.617559E+02	-2.748581E+01	1.428426E-02
C4	2.420633E+01	7.158134E+00	8.951930E-03
C5	-1.152951E+01	2.580724E+00	3.388815E-03
C6	1.935121E+00	2.204858E+00	2.619931E-03
C7	1.449824E-01	-1.519585E-02	-1.833013E-05
C8	-1.978436E-01	-1.424905E-01	-1.854333E-04
C9	1.565513E-06	-5.985785E-07	-7.082040E-10
C10	-4.447149E-06	-1.919611E-06	-2.058570E-09

Note: The polynomial coefficients subject to change without notice.

$X = C1 + C2*(S) + C3*D + C4*(S^2) + C5*(S*D) + C6*(D^2) + C7*(S^3) + C8*(D*S^2) + C9*(S*D^2) + C10*(D^3)$
 X—CAPACITY(W) OR POWER(W) OR CURRENT(A)
 S—EVAPORATING TEMP, °C
 D—CONDENSING TEMP, °C

PERFORMANCE CURVE

Code No.	C-SCP360H38A
Power Source	3-PH 60Hz 440V
Condensing Temp.(°C)	40.5, 45, 50, 54.4, 60, 65
Suction Gas Superheat(K)	11.1
Sub Cooled(K)	8.3
Compressor Cooling	Natural Cooling
Refrigerant	R410A



PERFORMANCE DATA

Code No.	C-SCP360H38A
Power Source	3-PH 60Hz 440V
Condensing Temp.(°C)	40.5, 45, 50, 54.4, 60, 65
Suction Gas Superheat(K)	11.1
Sub Cooled(K)	8.3
Compressor Cooling	Natural Cooling
Refrigerant	R410A

Capacity (W)

		Evaporating Temp. (°C)						
		-10	-6.7	0	4.4	7.2	10	12
Condensing Temp. (°C)	40.5	23,490	26,296	33,065	38,433	42,294	46,543	49,837
	45.0	22,435	25,081	31,452	36,493	40,114	44,094	47,177
	50.0	21,315	23,793	29,747	34,446	37,816	41,515	44,377
	54.4	20,374	22,713	28,321	32,737	35,900	39,368	42,048
	60.0		21,412	26,608	30,688	33,605	36,799	39,264
	65.0			25,175	28,977	31,690	34,658	36,946

Input (W)

		Evaporating Temp. (°C)						
		-10	-6.7	0	4.4	7.2	10	12
Condensing Temp. (°C)	40.5	9,334	9,130	8,839	8,737	8,709	8,709	8,727
	45.0	10,127	9,964	9,730	9,648	9,625	9,625	9,639
	50.0	11,101	10,994	10,842	10,789	10,774	10,775	10,784
	54.4	12,036	11,991	11,926	11,905	11,900	11,902	11,907
	60.0		13,381	13,450	13,478	13,488	13,492	13,492
	65.0			14,947	15,026	15,052	15,060	15,054

Current (A)

		Evaporating Temp. (°C)						
		-10	-6.7	0	4.4	7.2	10	12
Condensing Temp. (°C)	40.5	15.81	15.53	15.13	14.99	14.95	14.95	14.97
	45.0	16.40	16.17	15.85	15.73	15.70	15.70	15.72
	50.0	17.09	16.93	16.69	16.61	16.58	16.58	16.60
	54.4	17.73	17.62	17.47	17.41	17.40	17.40	17.41
	60.0		18.54	18.51	18.50	18.50	18.50	18.50
	65.0			19.48	19.51	19.53	19.53	19.53

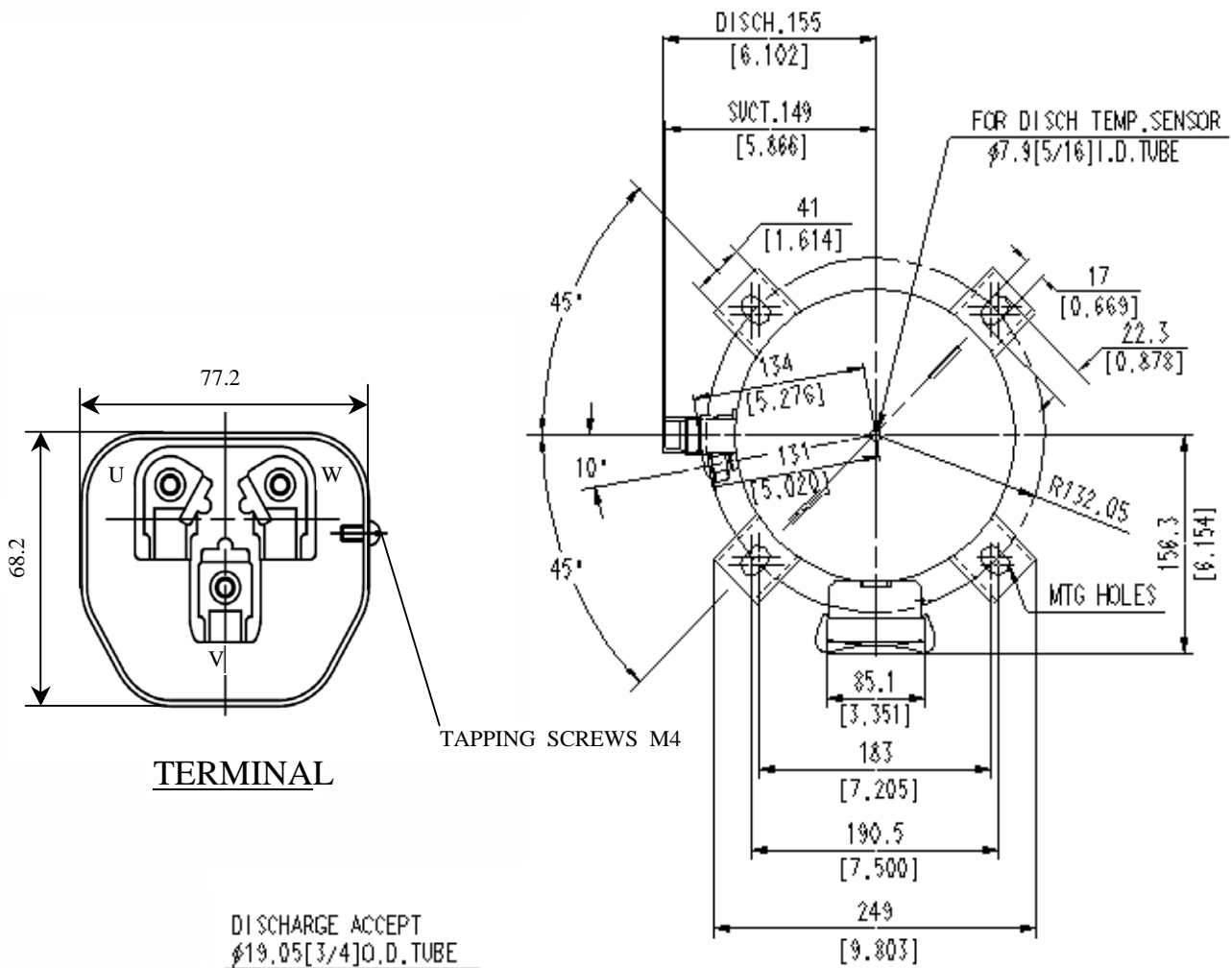
Coefficients of Polynomial Formula

	Capacity (W)	Input (W)	Current (A)
C1	5.249778E+04	5.747304E+03	1.042523E+01
C2	1.704017E+03	-1.095363E+02	-1.236454E-01
C3	-5.781422E+02	-3.160253E+01	7.779324E-02
C4	2.906440E+01	5.864682E+00	6.852518E-03
C5	-1.414610E+01	1.920049E+00	1.987674E-03
C6	2.445147E+00	2.666787E+00	9.485355E-04
C7	1.712430E-01	-1.281229E-02	-6.051831E-06
C8	-2.393186E-01	-9.782850E-02	-1.072545E-04
C9	-3.913783E-07	-7.654899E-07	4.871245E-10
C10	-5.468226E-06	-1.642455E-06	-7.297939E-10

Note: The polynomial coefficients subject to change without notice.

$X = C1 + C2*(S) + C3*D + C4*(S^2) + C5*(S*D) + C6*(D^2) + C7*(S^3) + C8*(D*S^2) + C9*(S*D^2) + C10*(D^3)$
 X—CAPACITY(W) OR POWER(W) OR CURRENT(A)
 S—EVAPORATING TEMP, °C
 D—CONDENSING TEMP, °C

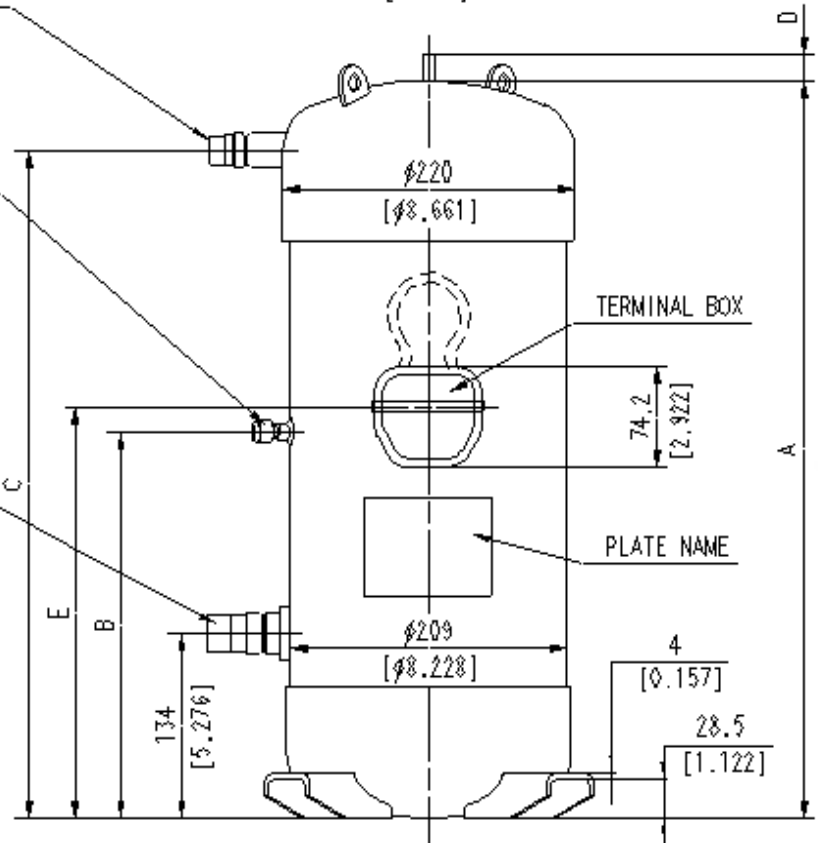
Compressor Outline Drawing



DISCHARGE ACCEPT
 $\phi 19.05 [3/4]$ O.D. TUBE

CONNECTOR
 7/16-20UNF-2A
 [1/4 FLARE CONNECT]

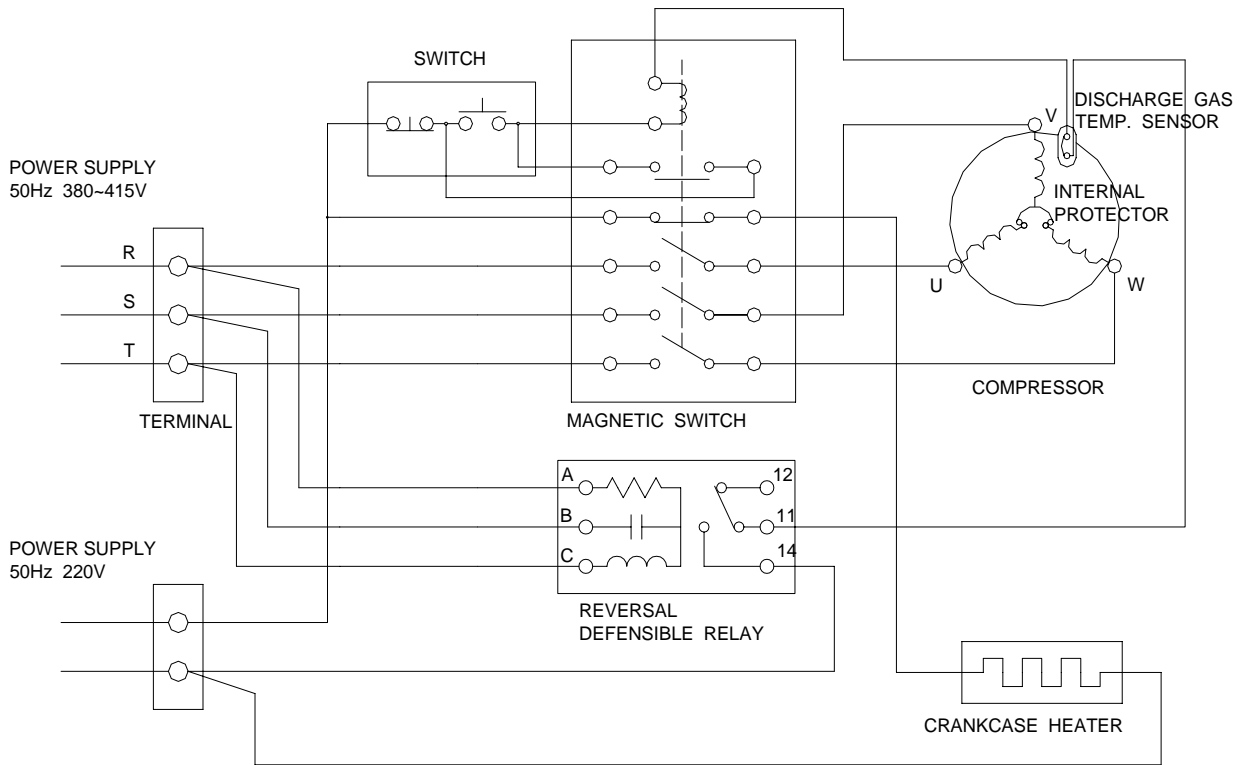
SUCTION ACCEPT
 $\phi 25.4 [1]$ O.D. TUBE



A	B	C	D	E
553	299	501	9	304

WIRING & MOUNTING SKETCH

WIRING DIAGRAM C-SC Series 3phase



MOUNTING SKETCH

